

- [54] TIRE
- [75] Inventor: Donald J. Sladky, Cuyahoga Falls, Ohio
- [73] Assignee: The Firestone Tire & Rubber Company, Akron, Ohio
- [**] Term: 14 Years
- [21] Appl. No.: 136,857
- [22] Filed: Apr. 3, 1980
- [51] Int. Cl. D12-15
- [52] U.S. Cl. D12/152
- [58] Field of Search D12/152; 152/353 R, 152/203

- [56] **References Cited**
U.S. PATENT DOCUMENTS
D. 204,862 5/1966 Blankenship et al. D12/152
D. 220,862 6/1971 Fetty et al. D12/152
D. 222,215 10/1971 Munoz D12/152
D. 222,216 10/1971 Overstreet et al. D12/152

OTHER PUBLICATIONS
Firestone Imperial Tire, 10/25/39.

Primary Examiner—James M. Gandy
Attorney, Agent, or Firm—Ernst H. Ruf

[57] **CLAIM**

The ornamental design for a tire, substantially as shown and described.

DESCRIPTION

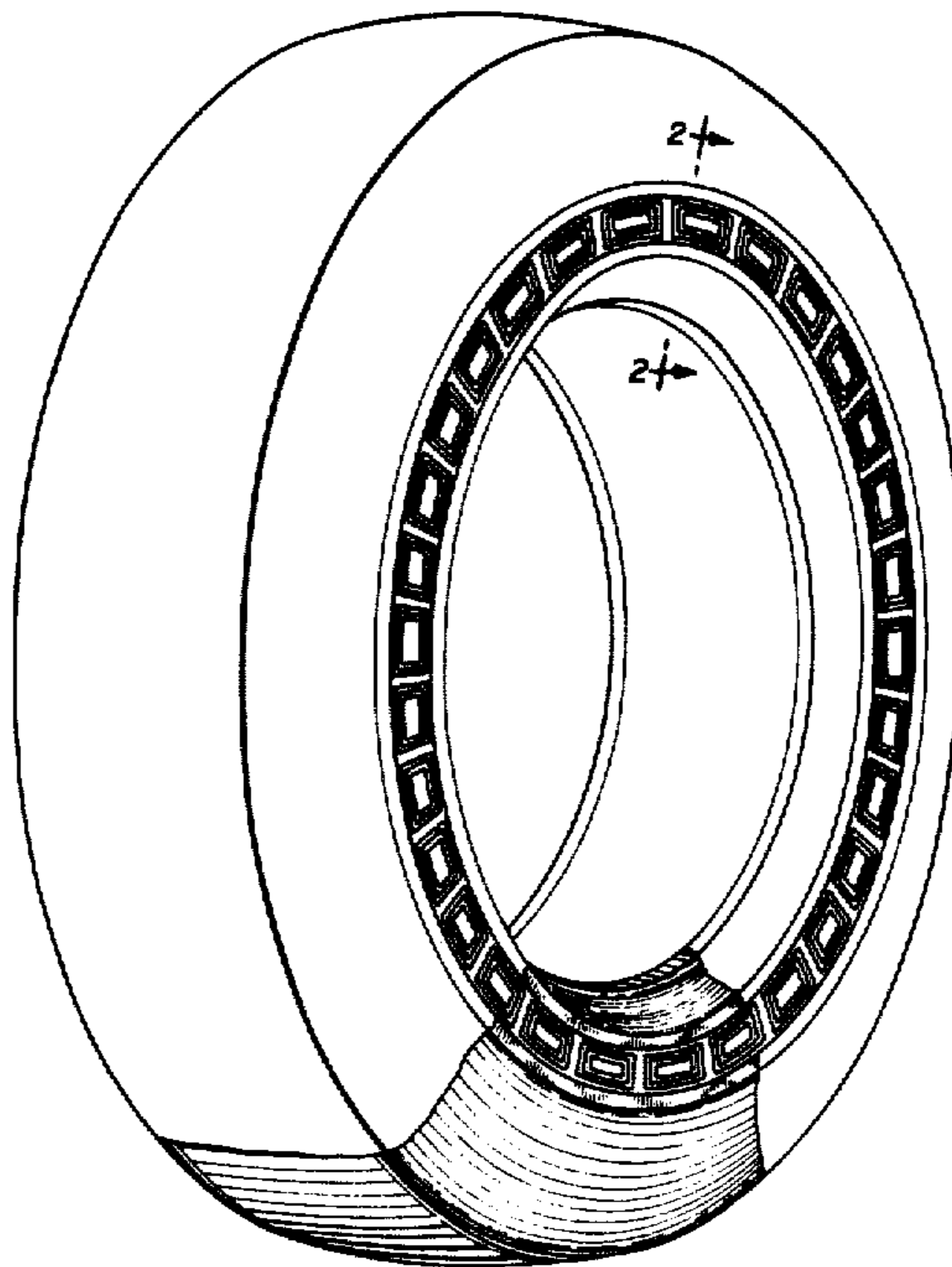
FIG. 1 is a perspective view of a tire embodying my new design, it being understood that the circumferentially repeating series of concentric linear rectangles, depending from that base surface of the sidewall contained within the concentric circles adjacent to said rectangles, is of the same color as said base surface, with said base surface contrasting in color from the remainder of the tire;

FIG. 2 is a greatly enlarged fragmentary cross-sectional view thereof taken along line 2—2 in FIG. 1;

FIG. 3 is an enlarged side elevational view thereof, it being understood that the opposite side is substantially a mirror image of the side shown; and

FIG. 4 is an enlarged segment of the sidewall thereof shown in FIG. 3.

The characteristic feature of my design resides in the above-mentioned series of linear rectangles of the sidewall of the tire.



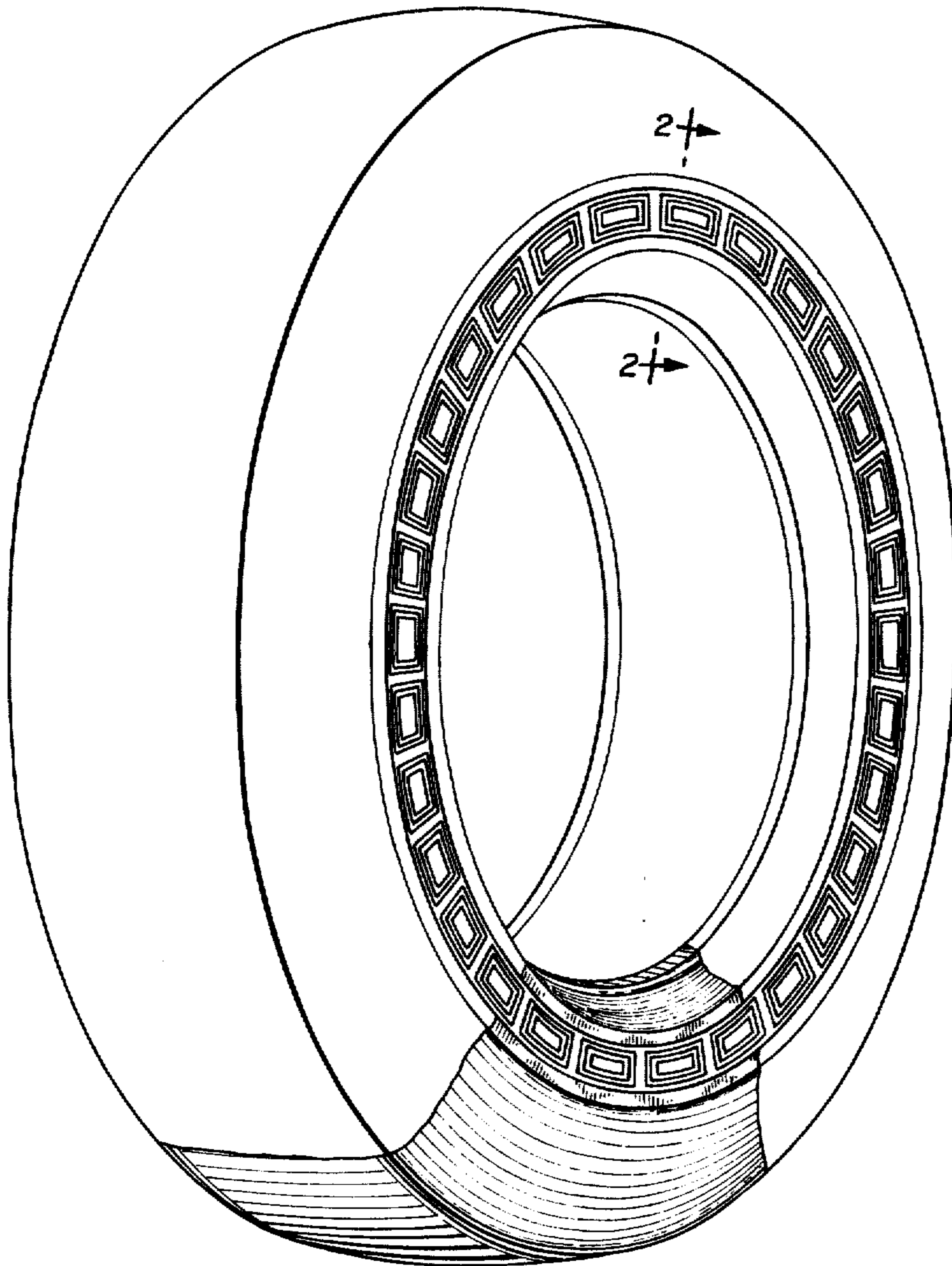


FIG. 1

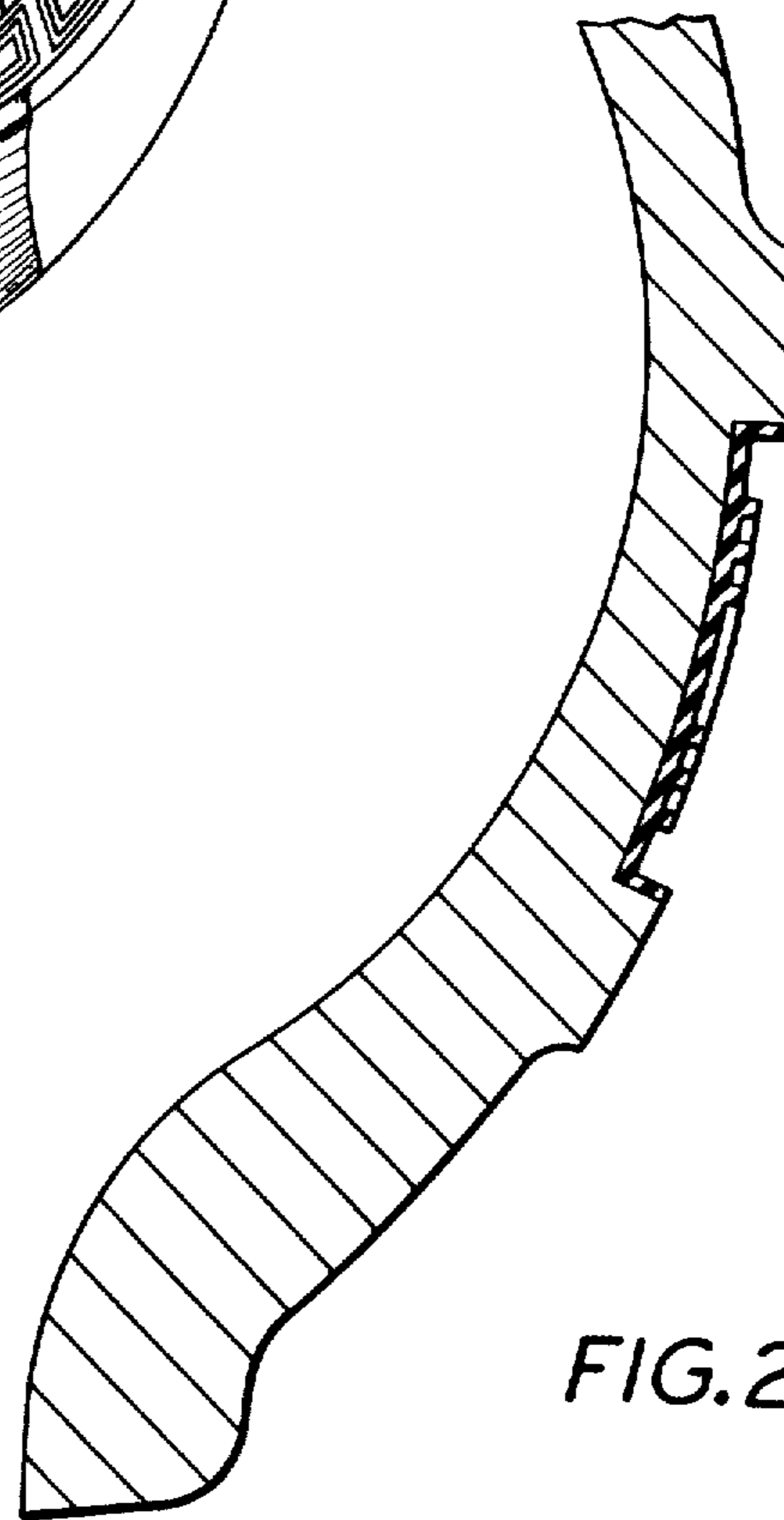


FIG. 2

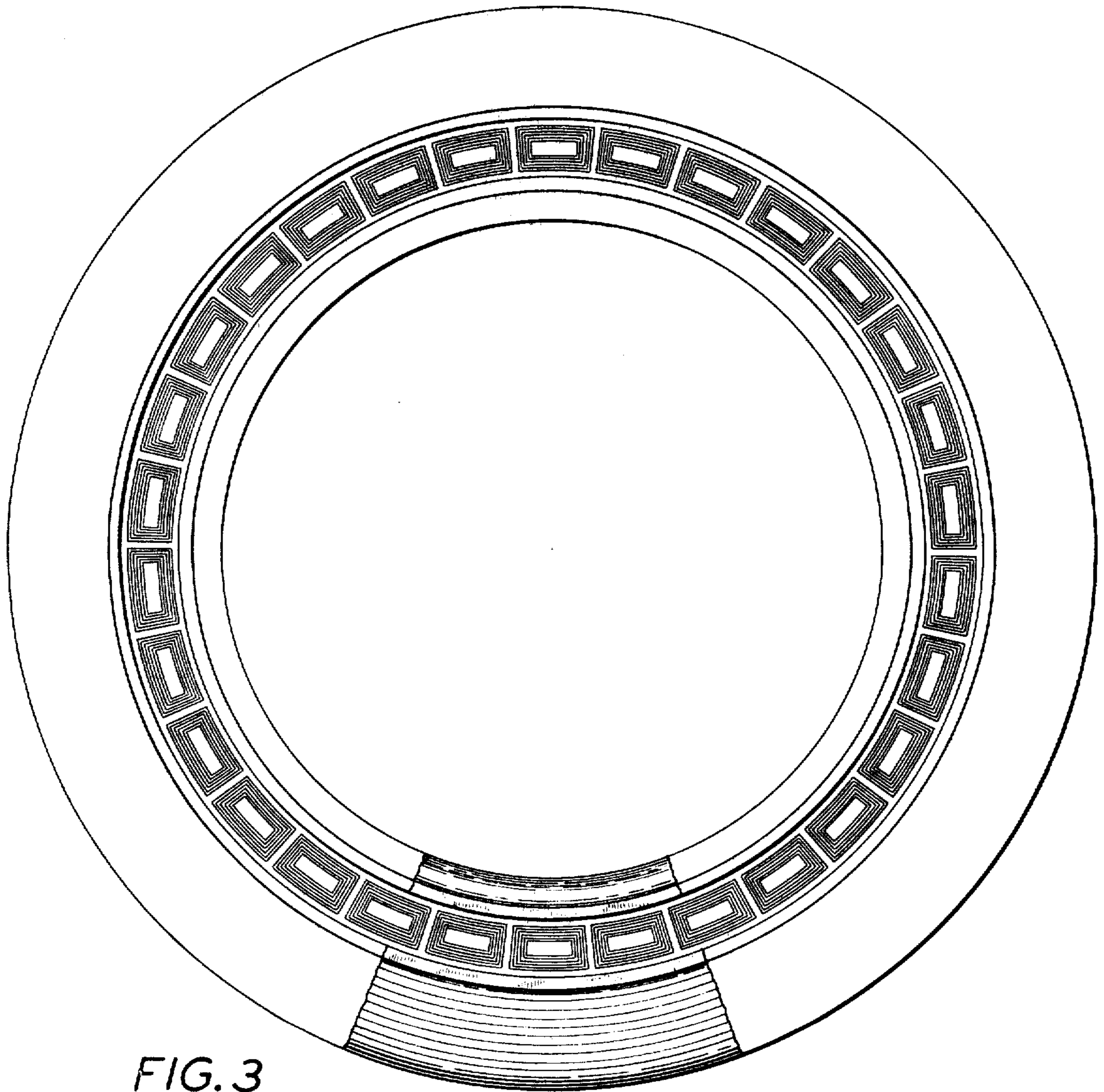


FIG. 3

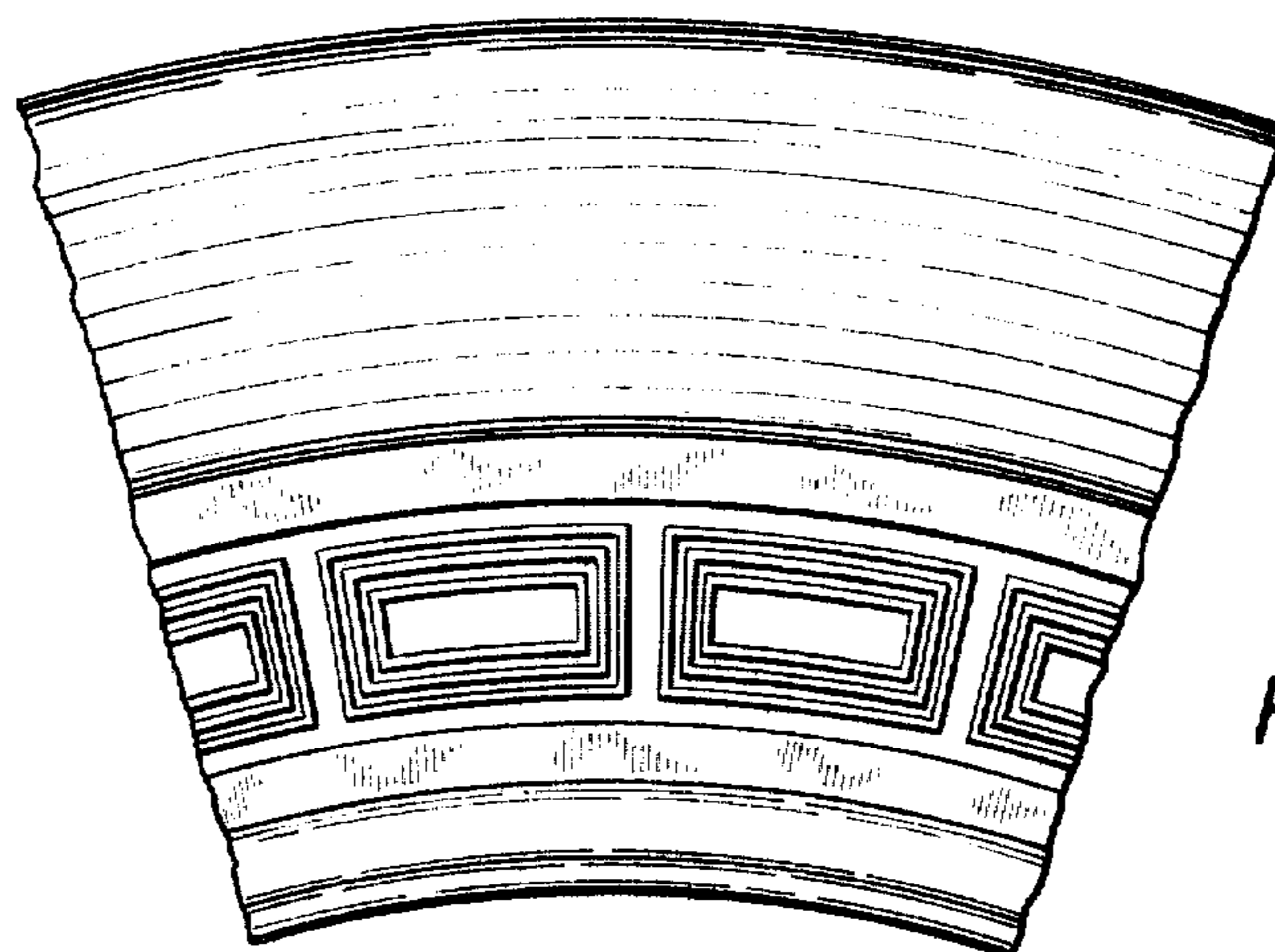


FIG. 4