

[54] CRANK ARM FOR A BICYCLE CRANK ASSEMBLY

[76] Inventor: B. Linn Kastan, 724 Primrose La., Thousand Oaks, Calif. 91360

[**] Term: 14 Years

[21] Appl. No.: 153,531

[22] Filed: May 27, 1980

[51] Int. Cl. D12-11

[52] U.S. Cl. D12/123

[58] Field of Search D12/123; 74/594.1

[56] References Cited

FOREIGN PATENT DOCUMENTS

888628 9/1943 France 74/594.1

OTHER PUBLICATIONS

American Bicyclist & Motorcyclist, 4/79, p. 120, Crank Arm, center left side of page.

American Bicyclist & Motorcyclist, 4/79, p. 24, Crank Arm, center right side of page.

Primary Examiner—James M. Gandy
Attorney, Agent, or Firm—Jack C. Munro

[57] CLAIM

The ornamental design for a crank arm for a bicycle crank assembly, substantially as shown and described.

DESCRIPTION

FIG. 1 is a top plan view of a crank arm for a bicycle crank assembly showing my new design, it being understood that the bottom is substantially a mirror image thereof;

FIG. 2 is a side elevational view thereof;

FIG. 3 is a left end elevational view thereof;

FIG. 4 is a right end elevational view thereof; and

FIG. 5 is a cross-sectional view thereof taken along line 5-5 in FIG. 2.

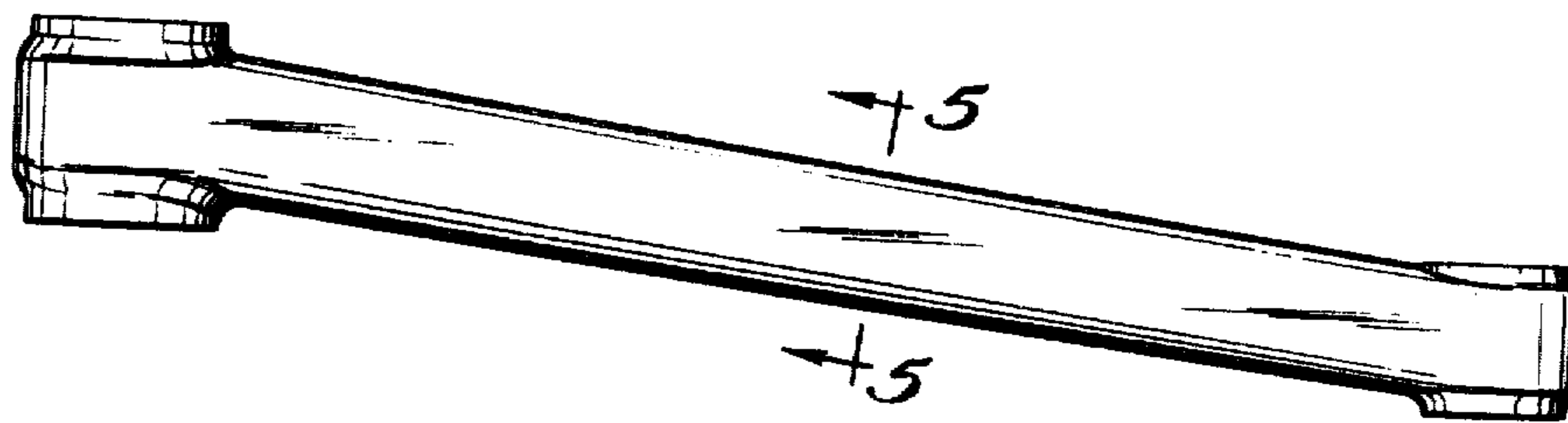
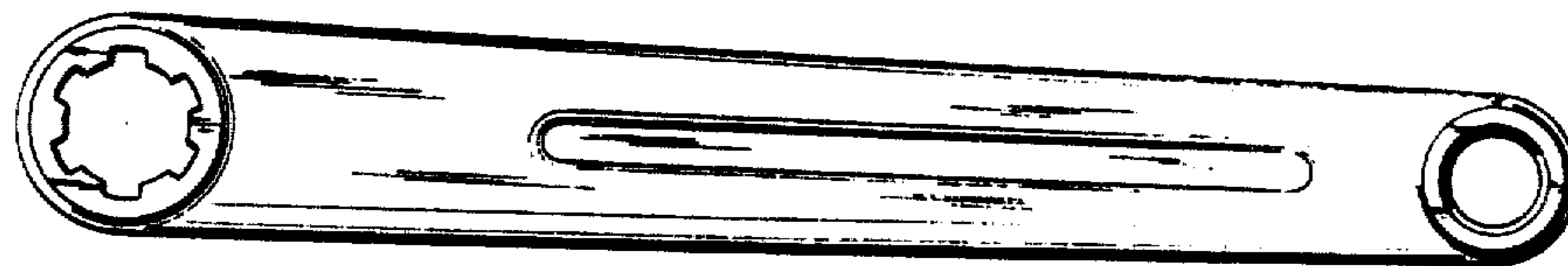


Fig. 1

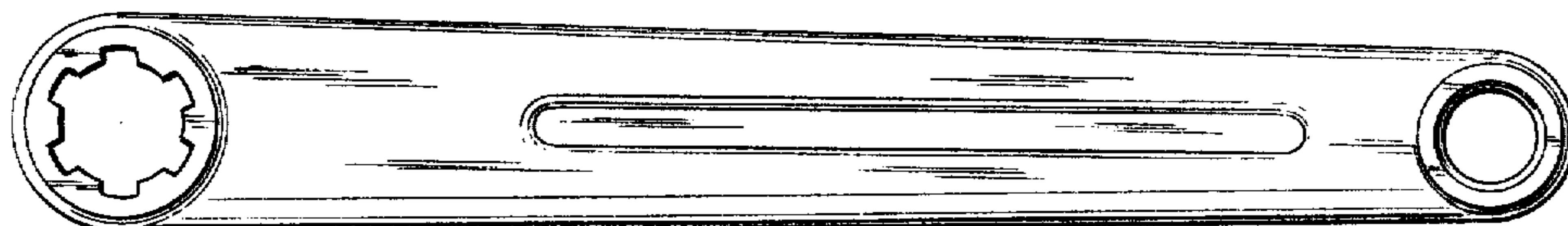


Fig. 2

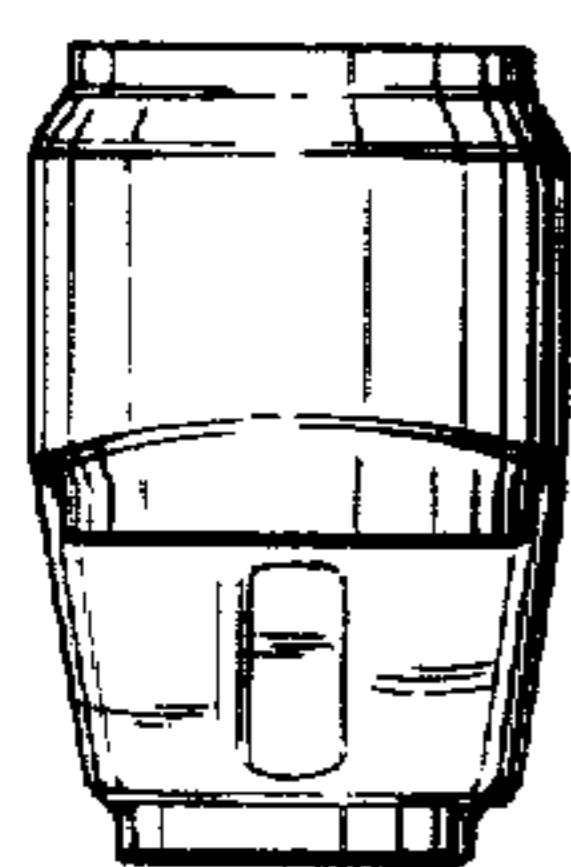
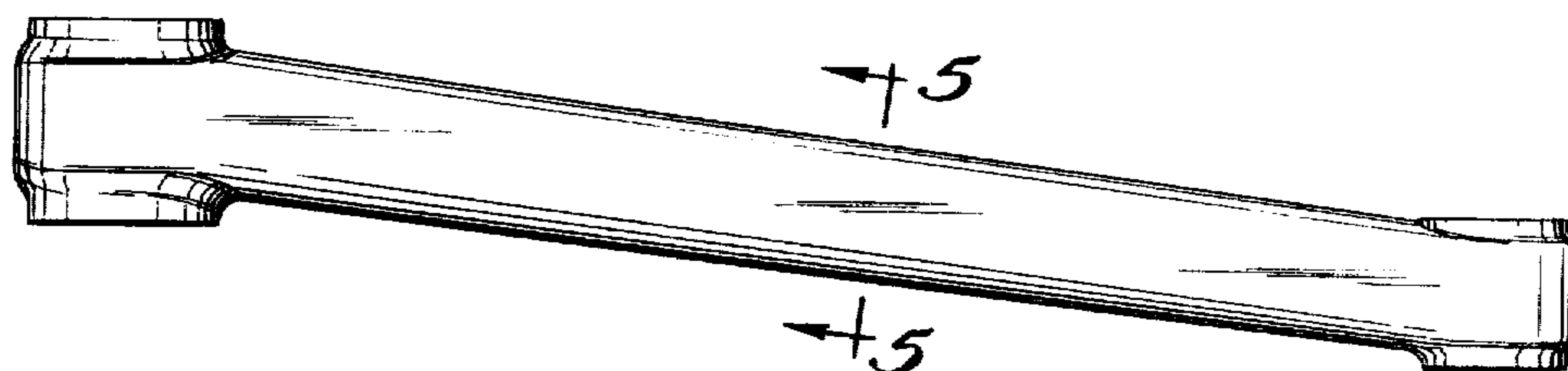


Fig. 3

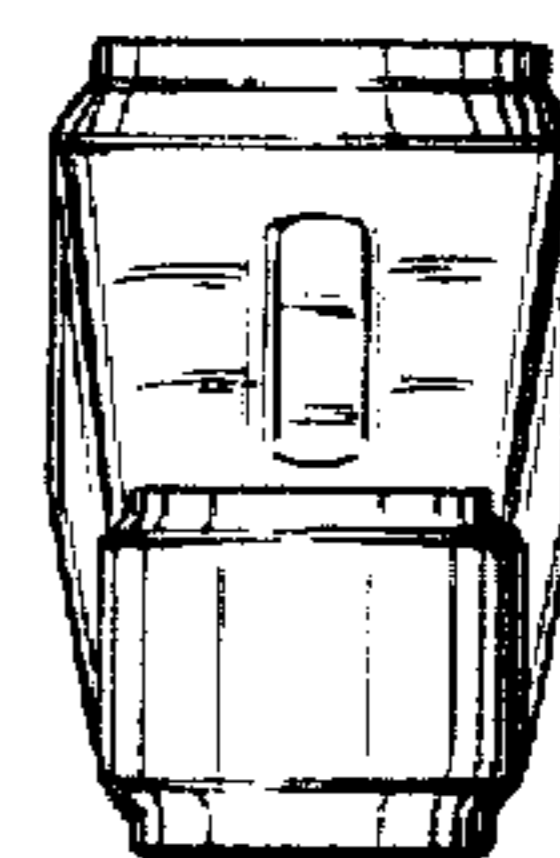


Fig. 4

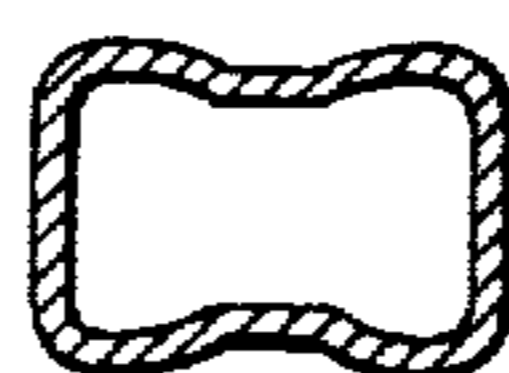


Fig. 5