

[54] RACK

[75] Inventor: Andrew V. Taylor, Sydney, Australia

[73] Assignee: Tayclox Industries Pty. Limited, Hornsby, Australia

[**] Term: 14 Years

[21] Appl. No.: 150,611

[22] Filed: May 16, 1980

[51] Int. Cl. D7-02

[52] U.S. Cl. D7/130; D7/136

[58] Field of Search D7/85, 94, 130, 136, D7/23; 219/10.55 E; 99/445, 425; 126/390

[56] References Cited

U.S. PATENT DOCUMENTS

D. 157,480 2/1950 Foss D7/130

842,703	1/1907	Roberts	D7/130 X
1,859,739	5/1932	Keating	D7/136 X
2,036,572	4/1936	Frost	D7/136 X
4,249,464	2/1981	Hansen	219/10.55 E X

OTHER PUBLICATIONS

Merchandising, Jan., 1979, p. 18, Tara Micro-White, Pizzamaker #3957-rack at right.

Primary Examiner—Winifred E. Herrmann
Attorney, Agent, or Firm—Emory L. Groff, Jr.

[57] CLAIM

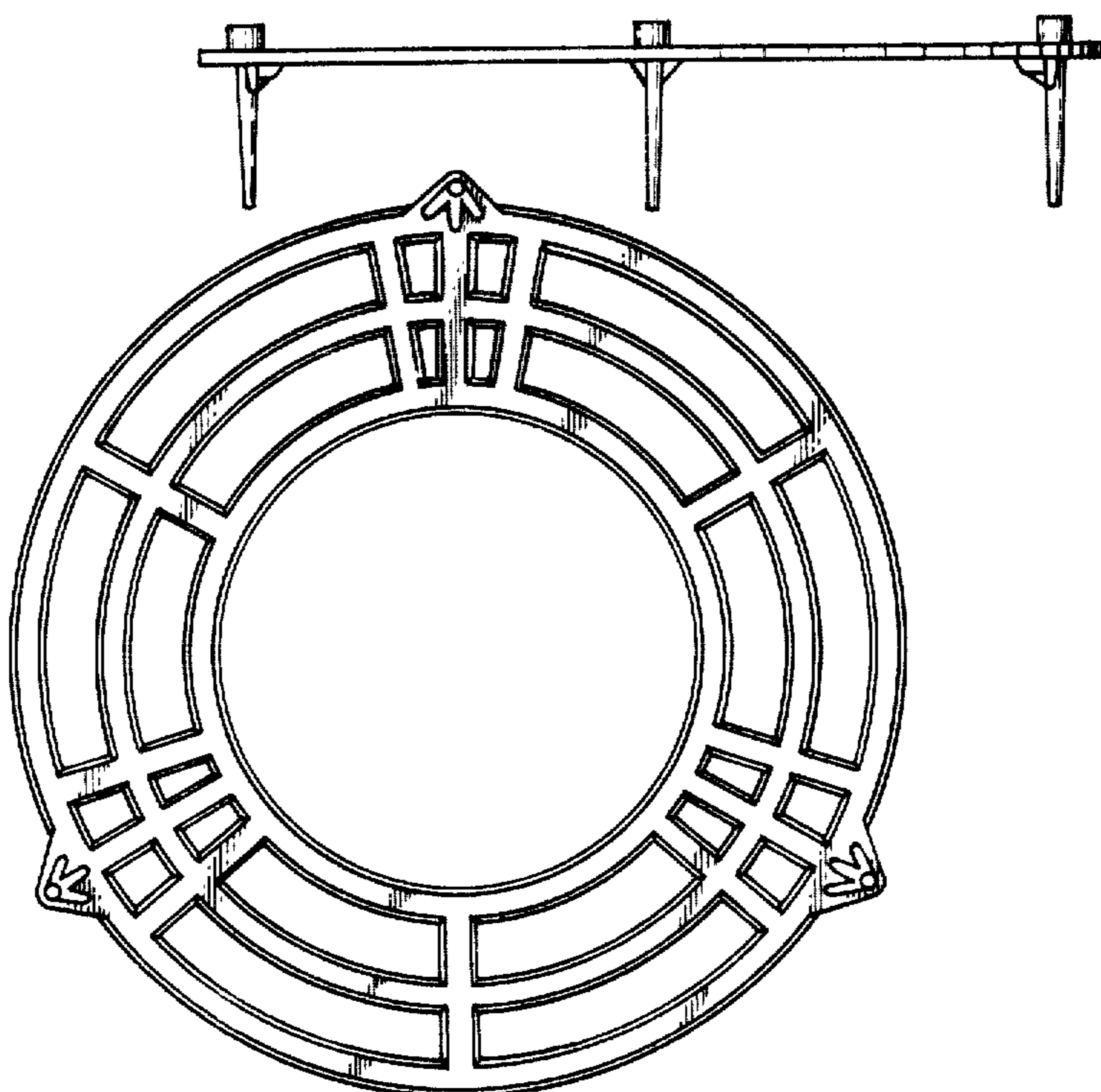
The ornamental design for a rack, as shown.

DESCRIPTION

FIG. 1 is a top plan view of a rack showing my new design;

FIG. 2 is a bottom plan view thereof; and

FIG. 3 is a side elevational view thereof taken in the direction of arrow III of FIG. 1.



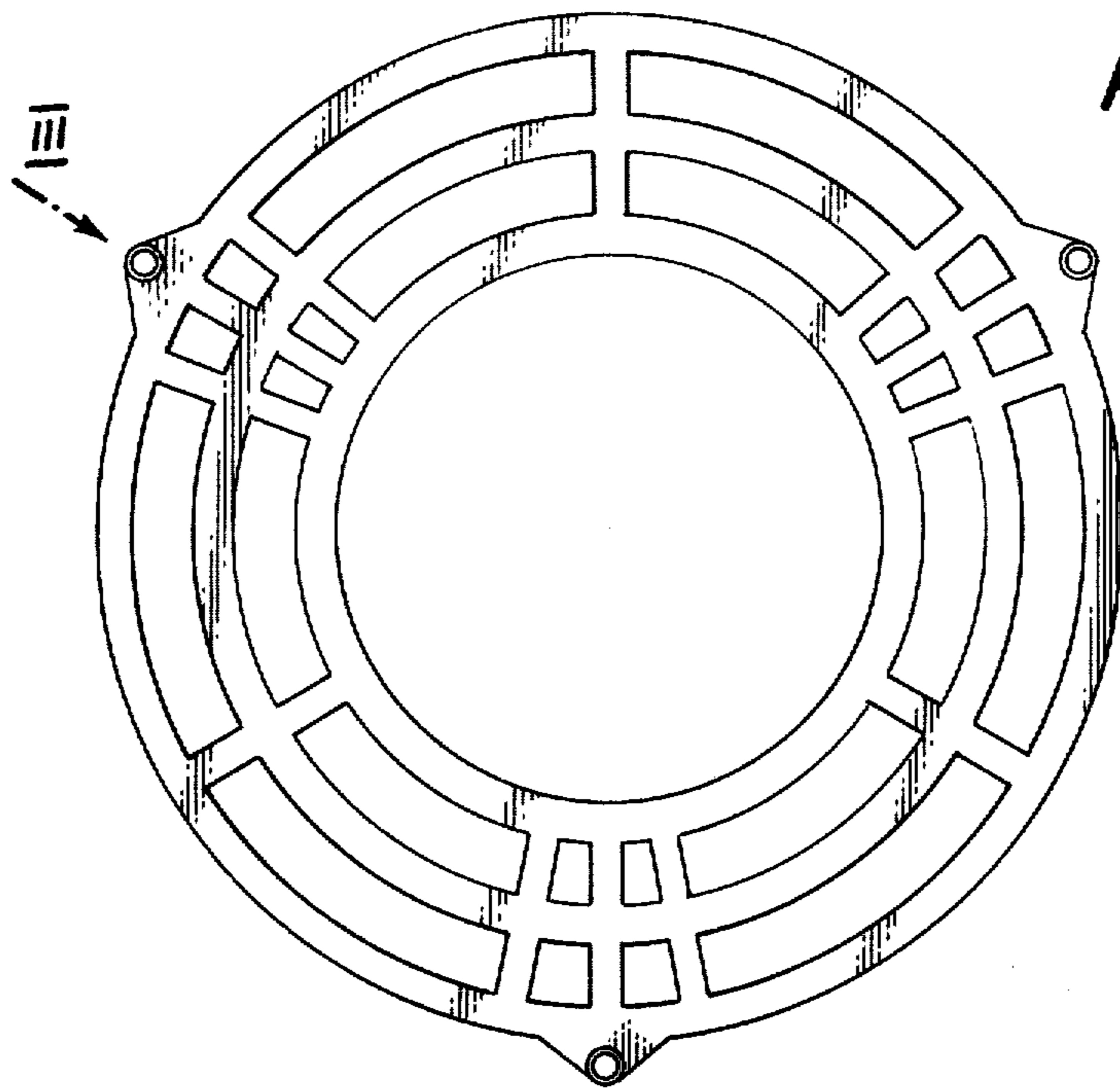


FIG. 1

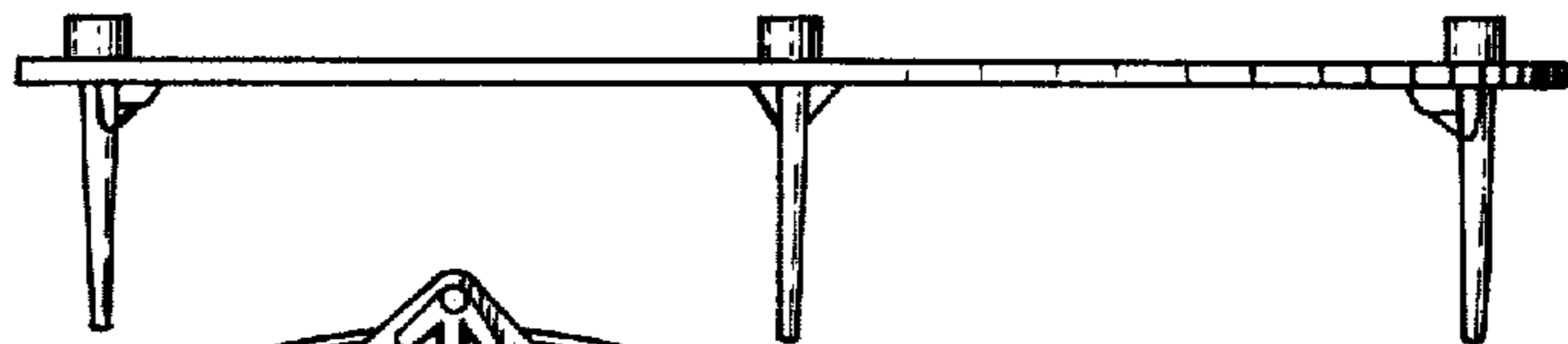


FIG. 3

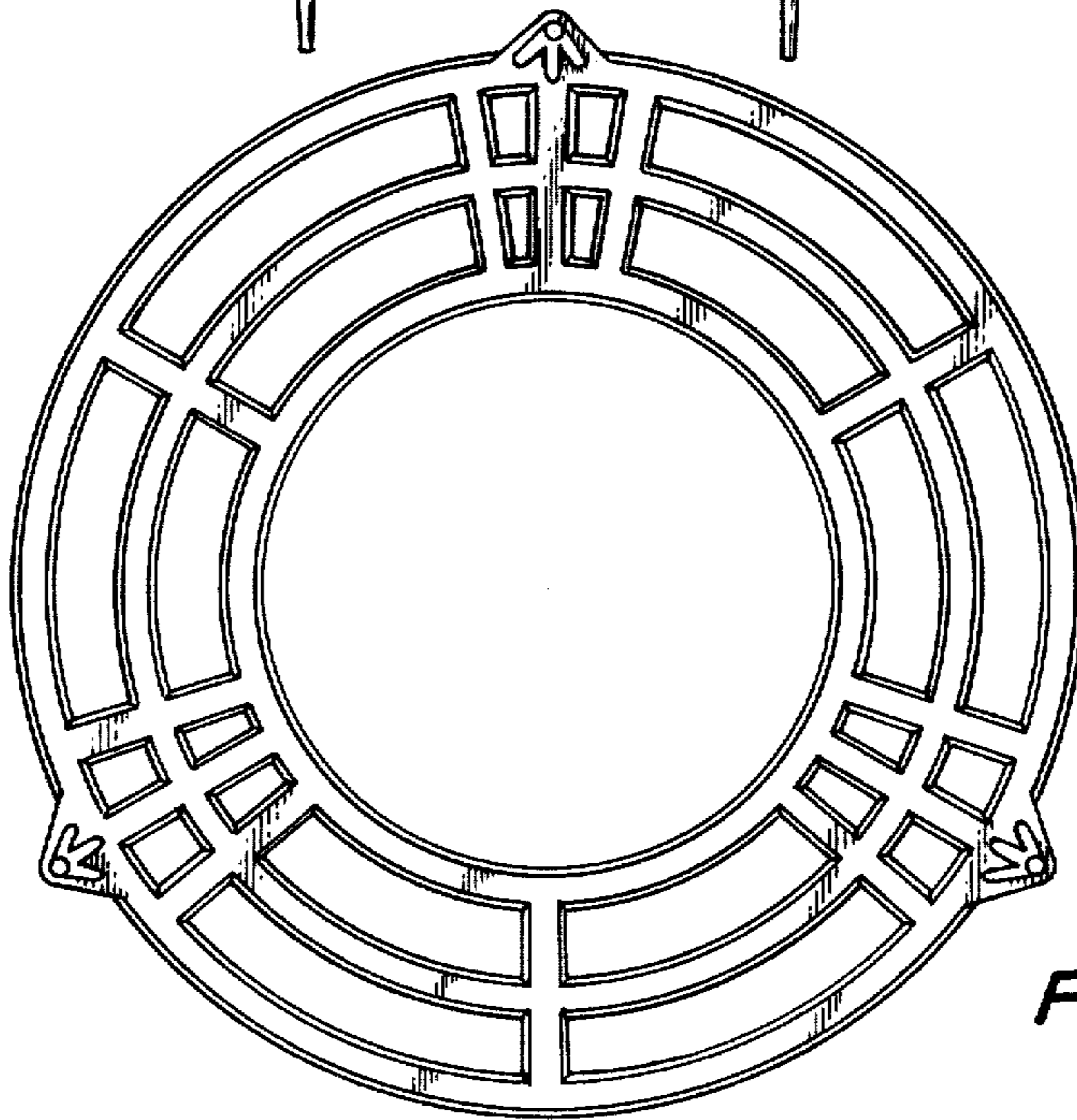


FIG. 2