

[54] END SUPPORT FOR A COMBINED TABLE AND BENCH UNIT

D. 239,904 5/1976 Bohlmann D6/45
D. 243,043 1/1977 Rogers D6/45
D. 244,572 6/1977 John D6/196 X

[75] Inventor: DeWayne D. Berquist, Anoka, Minn.

Primary Examiner—Bruce W. Dunkins
Attorney, Agent, or Firm—James R. Cwayna

[73] Assignee: Aggressive Industries, Inc.,
Minneapolis, Minn.

[57] CLAIM

[**] Term: 14 Years

The ornamental design for an end support for a combined table and bench unit.

[21] Appl. No.: 188,001

DESCRIPTION

[22] Filed: Sep. 16, 1980

[51] Int. Cl. D6—06

FIG. 1 is a perspective view of an end support for a combined table and bench unit embodying the concepts of applicant's invention;

[52] U.S. Cl. D6/196; D6/191

FIG. 2 is a top plan view of the same;

[58] Field of Search D6/45, 177, 179, 191,
D6/196; 297/157, 174

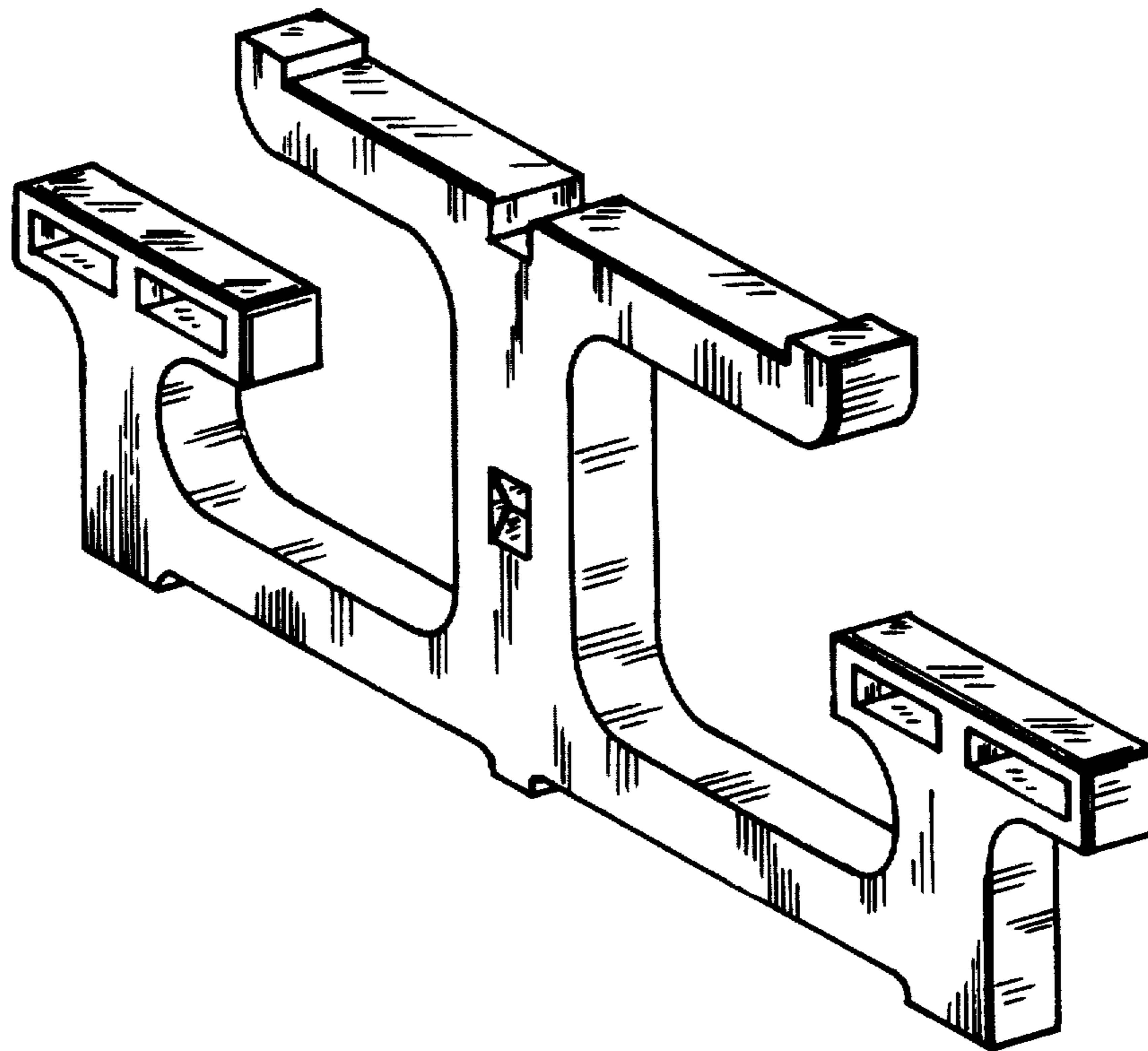
FIG. 3 is an elevation view taken from one side of the invention, the other side thereof being identical thereto; FIG. 4 is an end view of the invention, the opposite end being identical thereto; and,

[56] References Cited

U.S. PATENT DOCUMENTS

FIG. 5 is a bottom plan view of the same.

D. 235,394 6/1975 Ruth D6/45



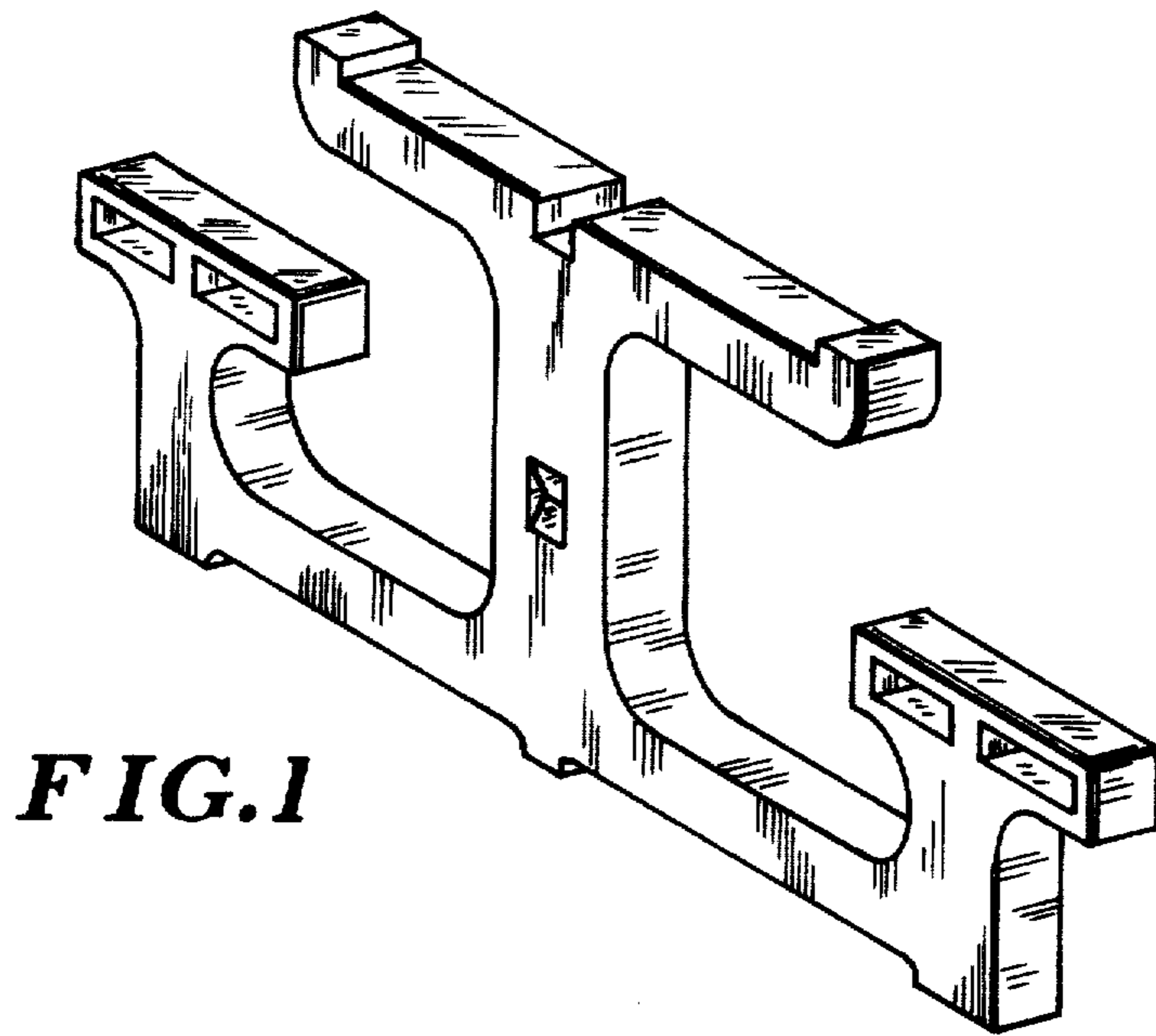


FIG. 1



FIG. 2

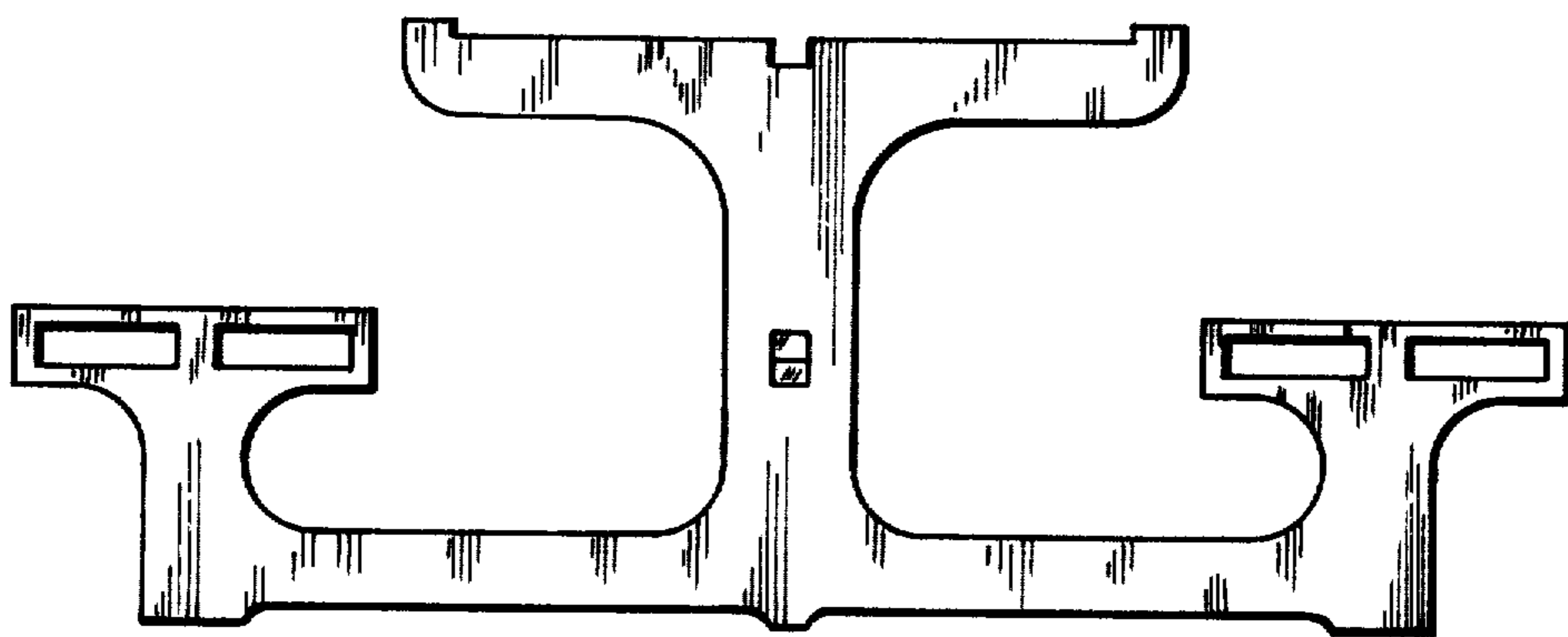


FIG. 3



FIG. 4



FIG. 5