

[54] DISPLAY RACK

[76] Inventor: Ruth E. Saltzman, P.O. Box 25029, Portland, Oreg. 97225

[\*\*] Term: 14 Years

[21] Appl. No.: 21,469

[22] Filed: Mar. 19, 1979

[51] Int. Cl. .... D20-02

[52] U.S. Cl. .... D6/180; D6/188

[58] Field of Search ..... D6/114, 130, 132-136, D6/181, 188, 186, 178, 180; 211/13, 87, 88, 90, 126, 134, 153, 181; 248/175

[56] References Cited

U.S. PATENT DOCUMENTS

- D. 93,944 11/1934 Schimmelfeng ..... D6/134
- D. 115,255 6/1939 Taylor ..... D6/134
- D. 153,909 5/1949 Wais ..... D6/178
- D. 214,474 6/1969 Goldstein et al. .... D6/135

FOREIGN PATENT DOCUMENTS

- 251249 11/1960 Australia ..... 211/126

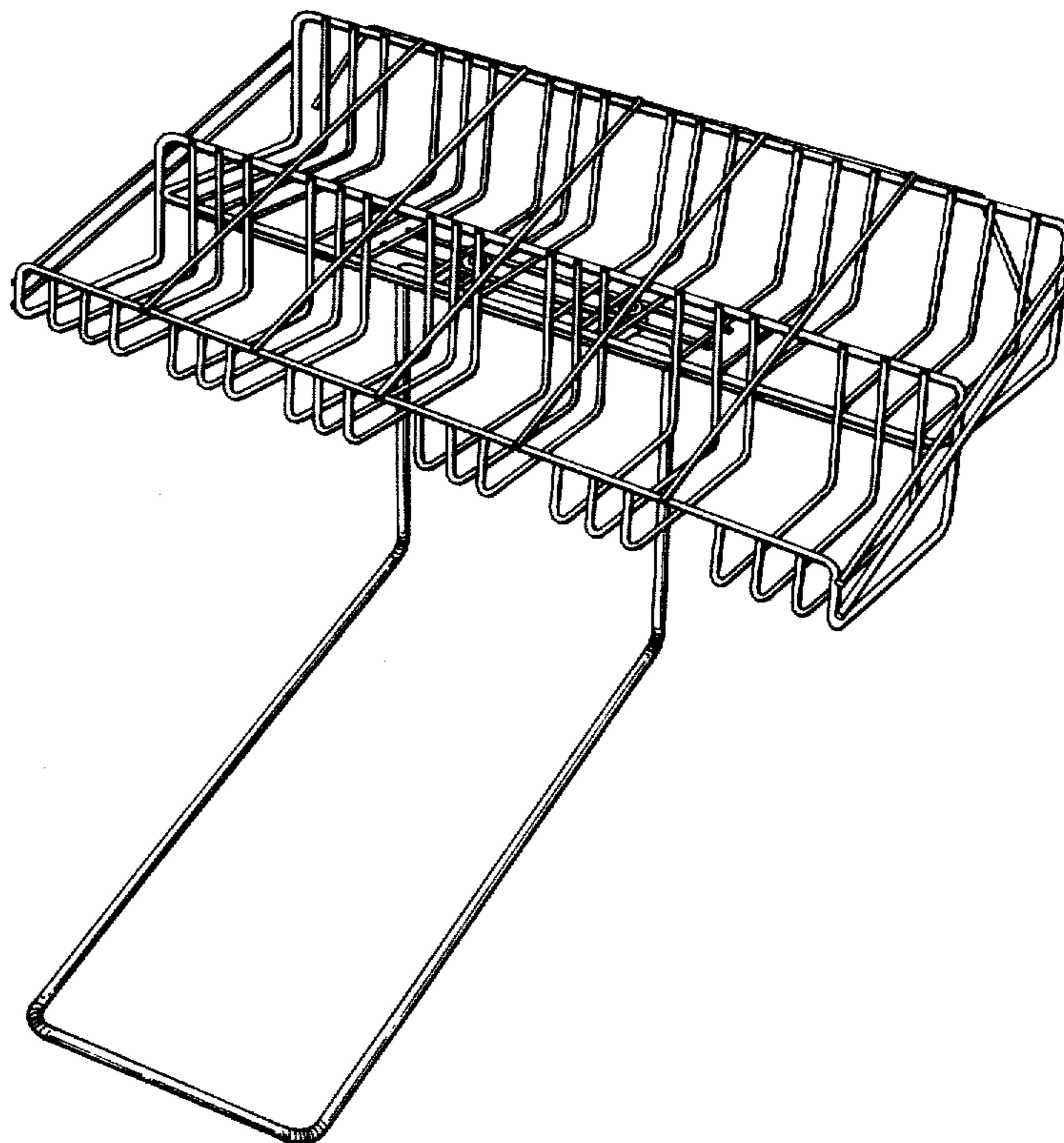
Primary Examiner—B. J. Bullock  
Attorney, Agent, or Firm—Kolisch, Hartwell & Dickinson

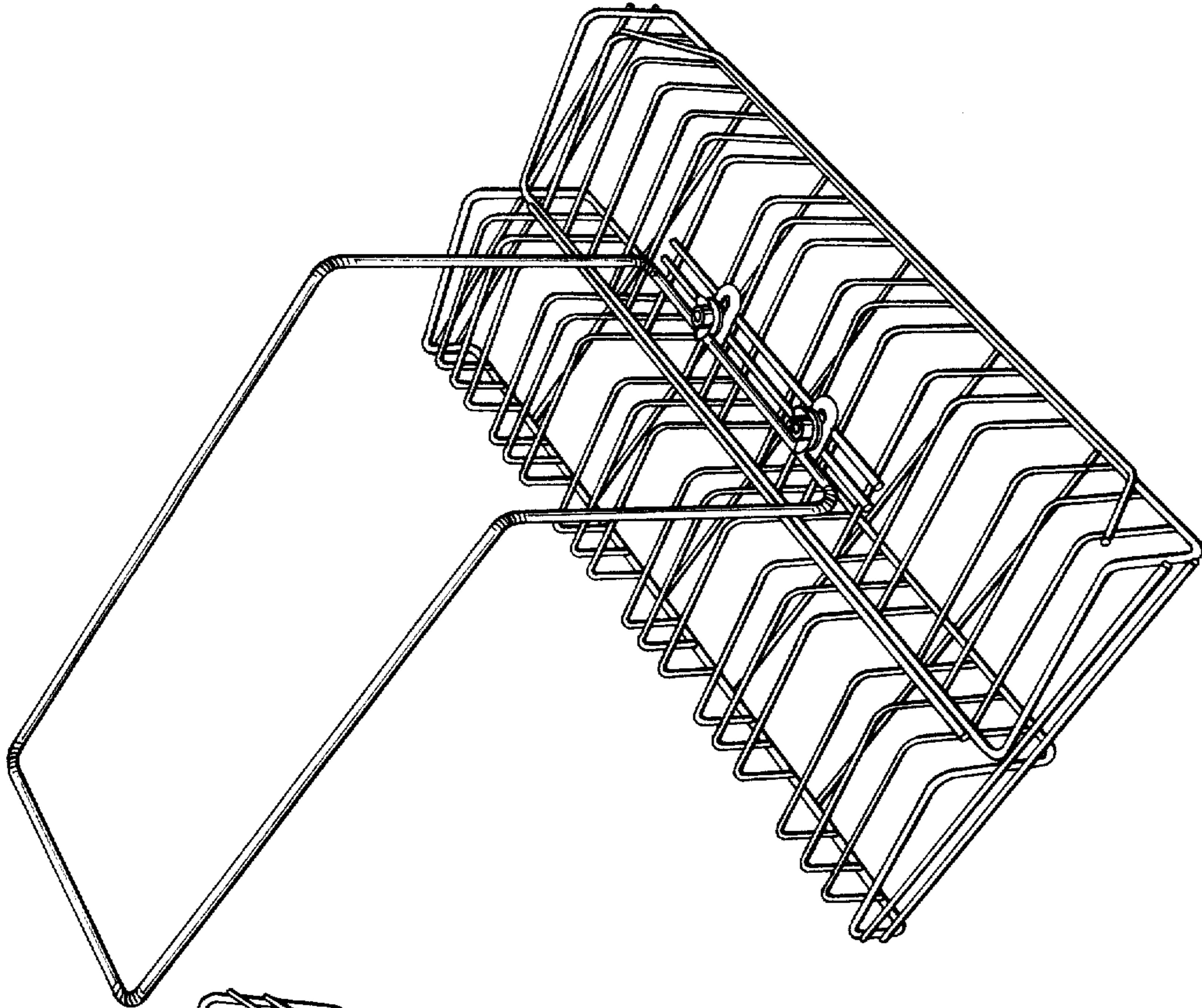
[57] CLAIM

The ornamental design for a display rack, as shown.

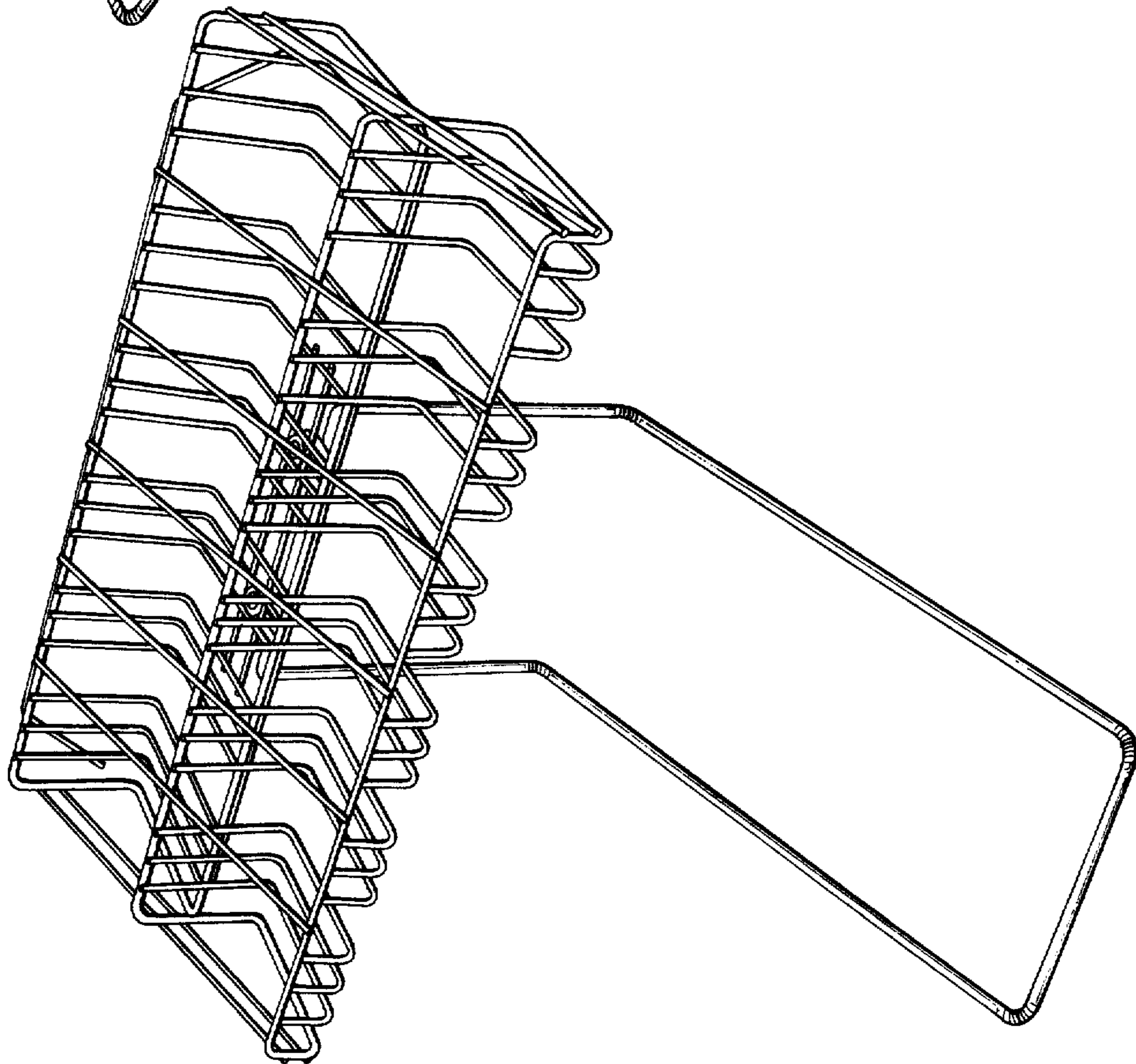
DESCRIPTION

FIG. 1 is a front, top perspective view of a display rack showing my new design;  
FIG. 2 is a rear, bottom perspective view thereof.





*Fig. 2.*



*Fig. 1.*