

[54] DESK

[75] Inventor: Robert M. Fusselman, Youngstown, Ohio

[73] Assignee: GF Business Equipment, Inc., Youngstown, Ohio

[\*\*] Term: 14 Years

[21] Appl. No.: 81,251

[22] Filed: Oct. 1, 1979

[51] Int. Cl. .... D6-04

[52] U.S. Cl. .... D6/162; D6/165; D6/166

[58] Field of Search ..... D6/158, 159, 160, 161, D6/162, 164, 165, 166, 167, 168, 169, 170, 190, 191; 312/107, 108, 111, 194, 195

[56] References Cited

U.S. PATENT DOCUMENTS

- D. 253,211 10/1979 Genaro et al. .... D6/161
- 3,192,884 7/1965 Hamilton et al. .... 312/194
- 3,359,930 12/1967 Schreyer ..... 312/194

OTHER PUBLICATIONS

"Electa Series" by Stow/Davis, Price List Cat., p. 8, bottom far left Desk.

"Mark 600" by JOFCO, Price List Cat., p. 5, Desk #A-666, third Desk from top, far left col.

"Spacemaster III" by JOFCO, Price List Cat., p. 5, Desk #A3300, bottom Desk far left col.

"Scandiline" by Scandiline Ind. Inc., Price List Cat., p. 56, Secretarial 'L' Desk, #VFF 3170 BO-40E.

Interiors, Jan. 1976, p. 93, "1600 Series Panel Desk", top left of page.

Primary Examiner—Louis S. Zarfes

Assistant Examiner—Carmen H. Vales

Attorney, Agent, or Firm—Emory L. Groff, Jr.

[57] CLAIM

The ornamental design for a desk, substantially as shown and described.

DESCRIPTION

FIG. 1 is a perspective view of the desk showing my new design;

FIG. 2 is a top plan thereof;

FIG. 3 is a front elevational thereof;

FIG. 4 is a right side elevational thereof;

FIG. 5 is a left side elevational thereof;

FIG. 6 is a rear elevational thereof; and

FIG. 7 is a perspective view thereof, with the extension table in a second alternate position; and

FIG. 8 is a perspective view thereof with the extension table in a third alternate position.

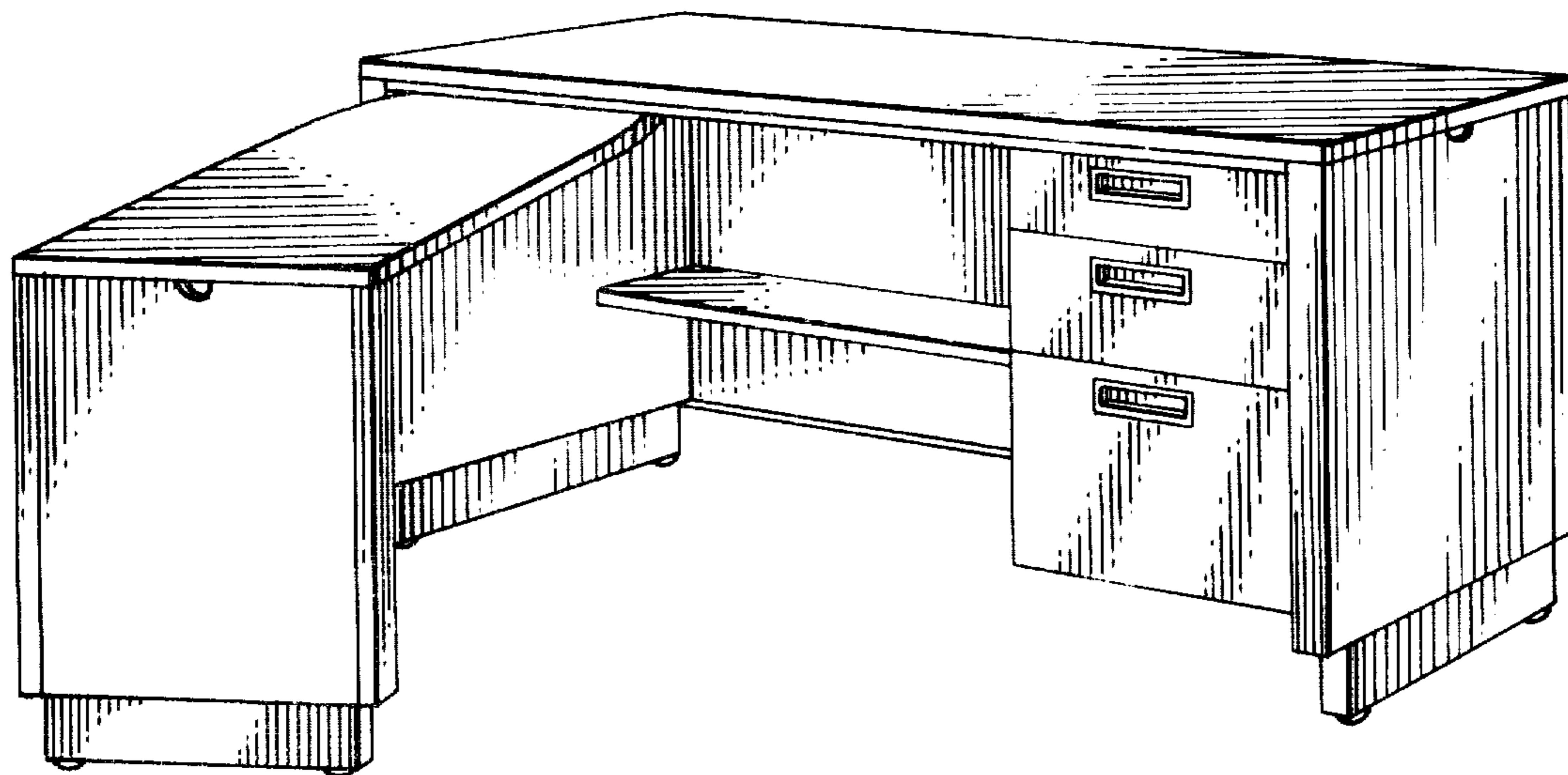


FIG. 1.

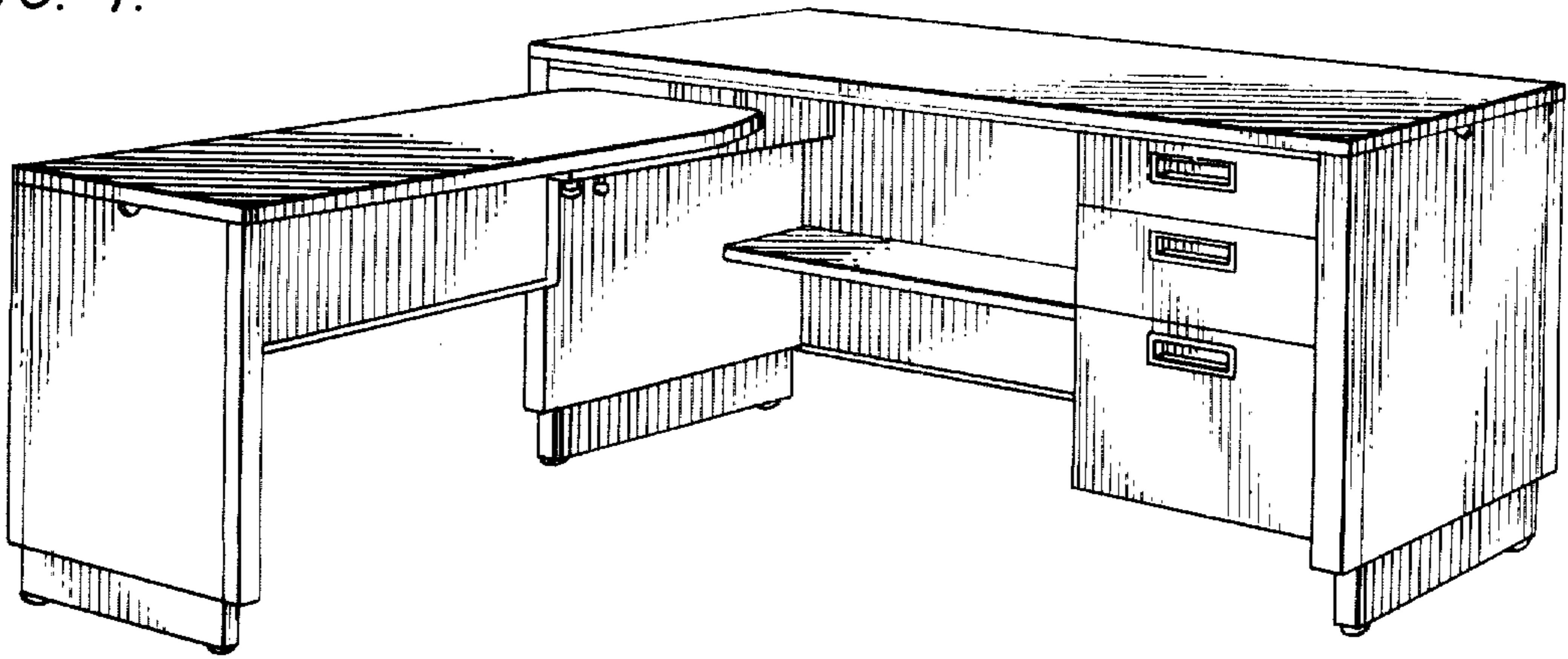


FIG. 2.

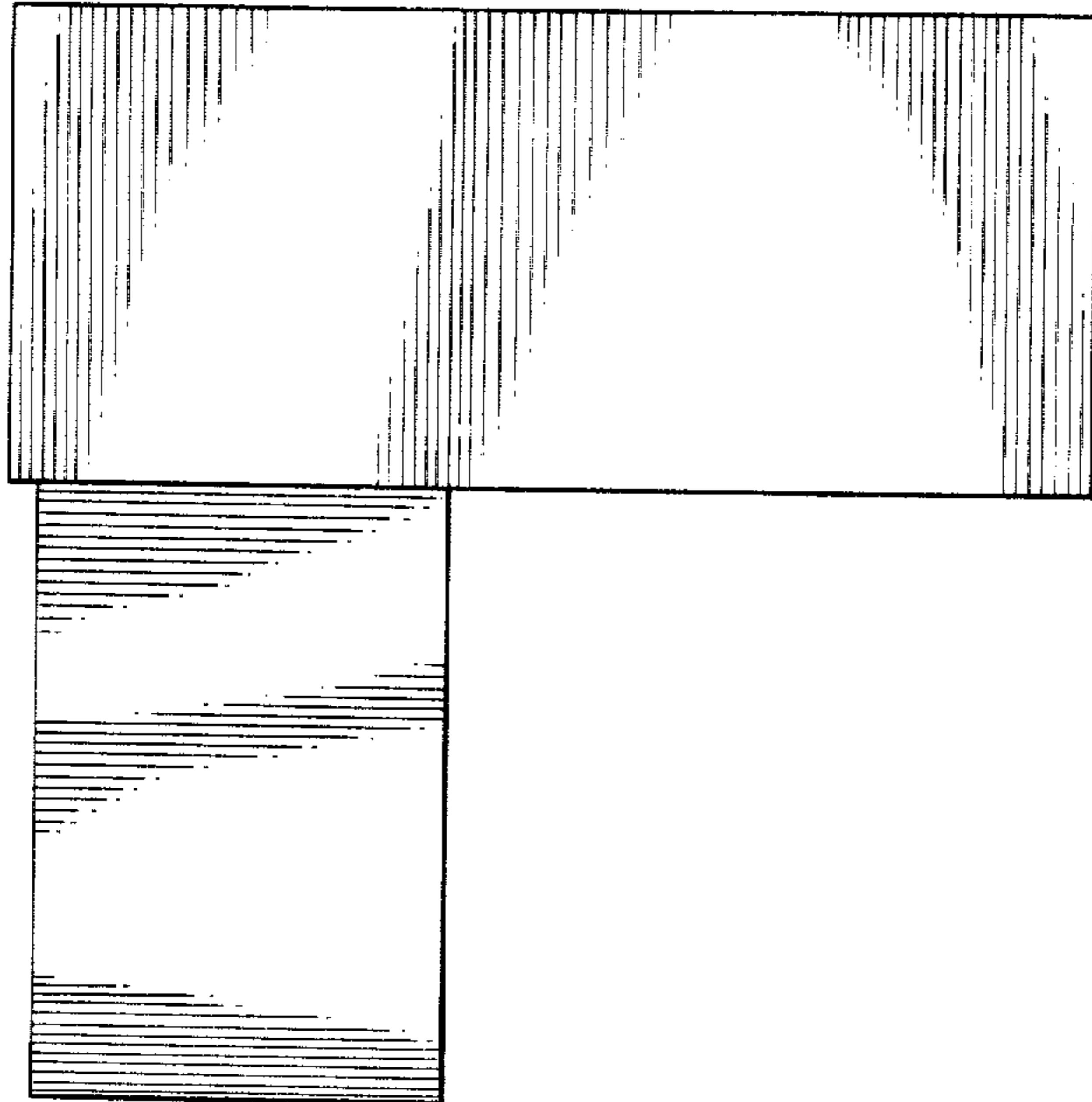
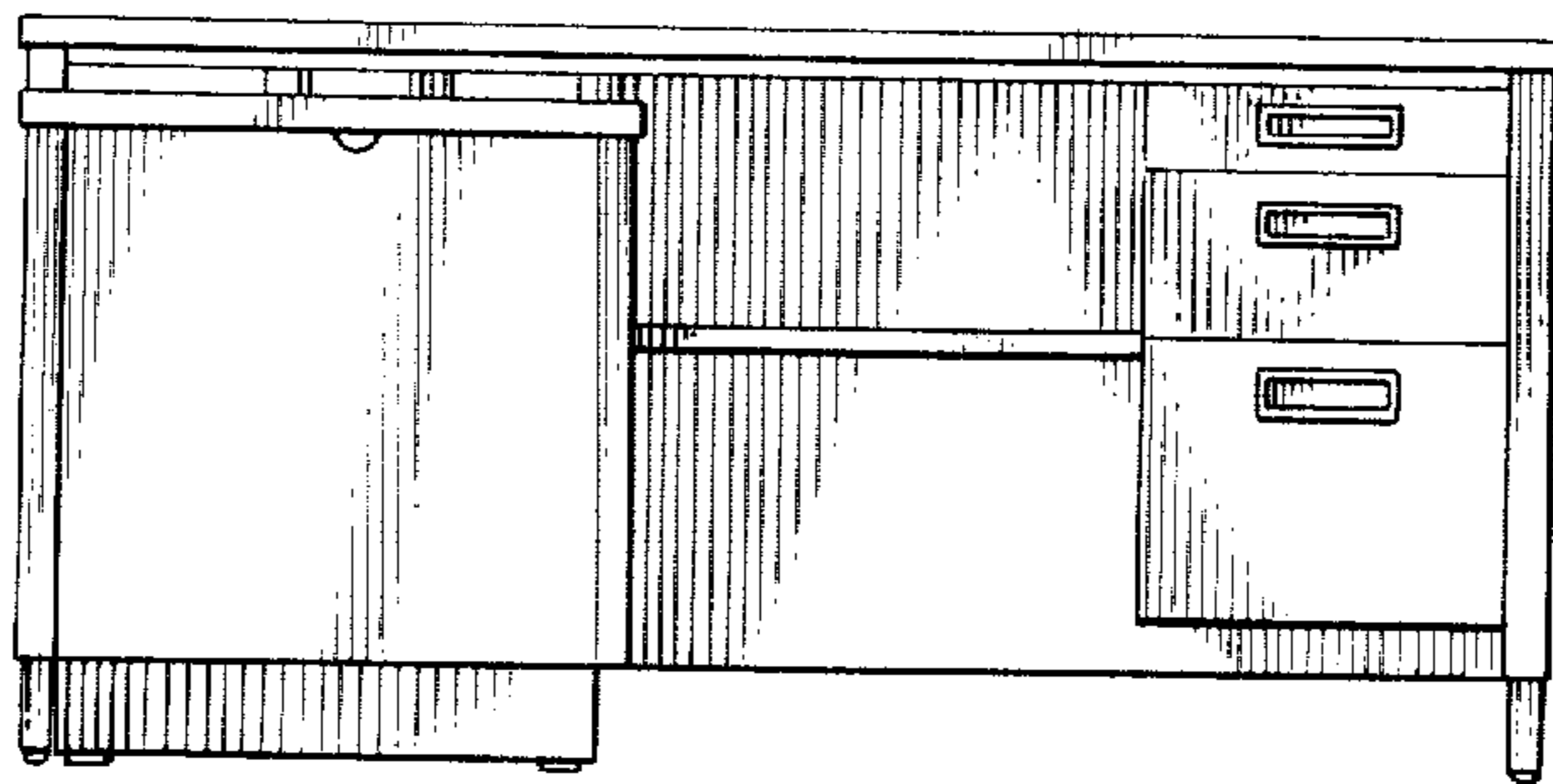
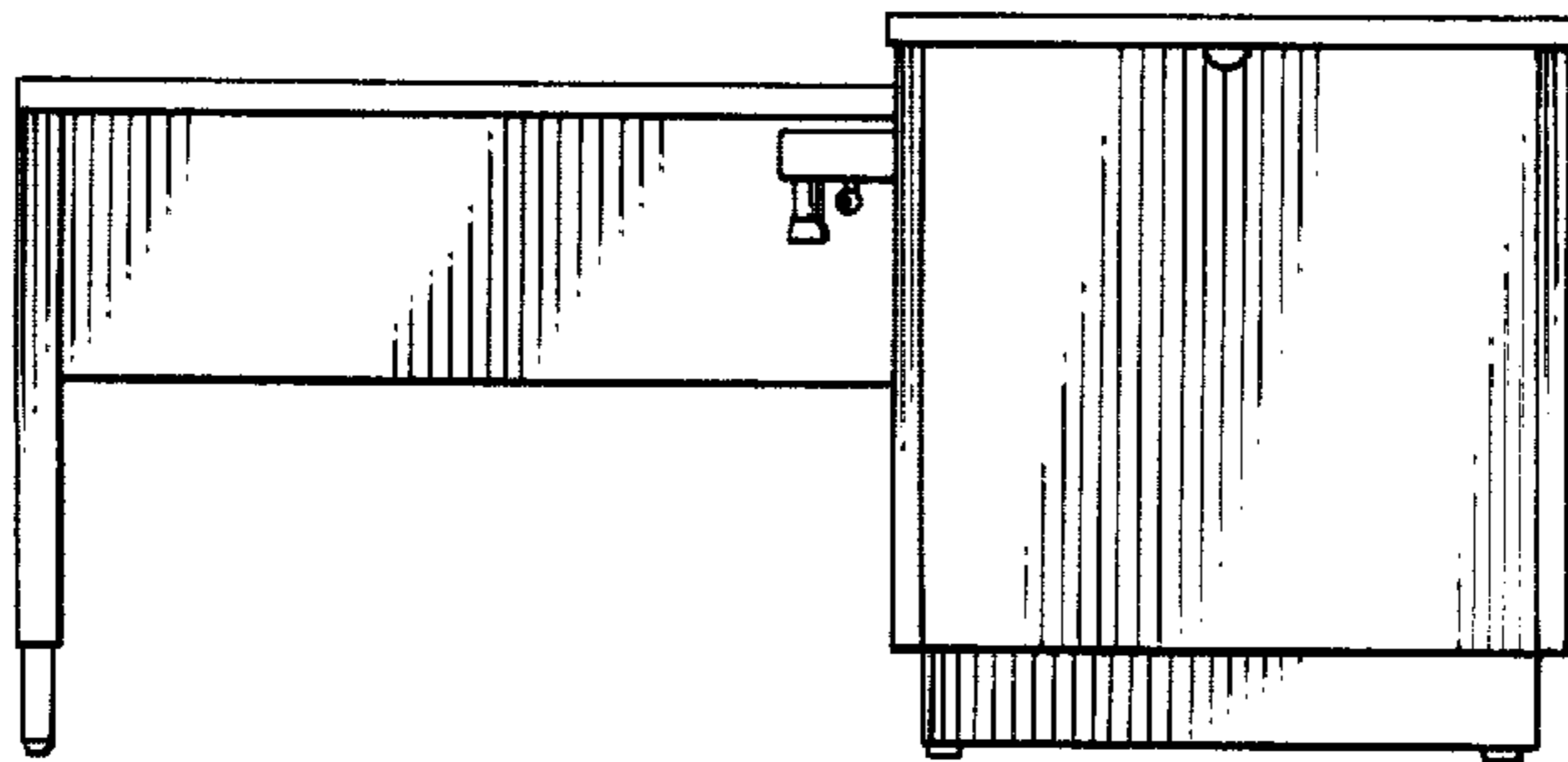


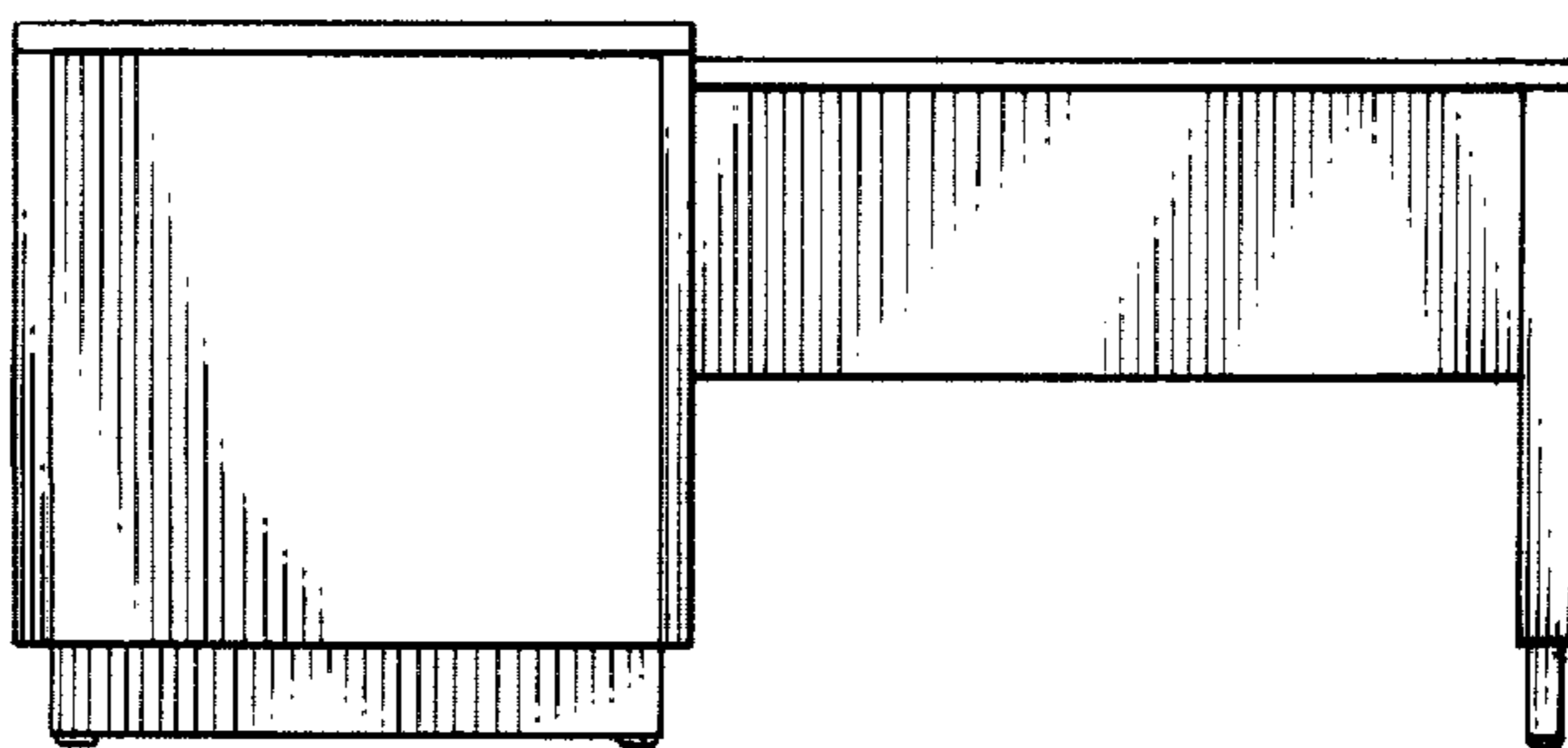
FIG. 3.



*FIG. 4.*



*FIG. 5.*



*FIG. 6.*

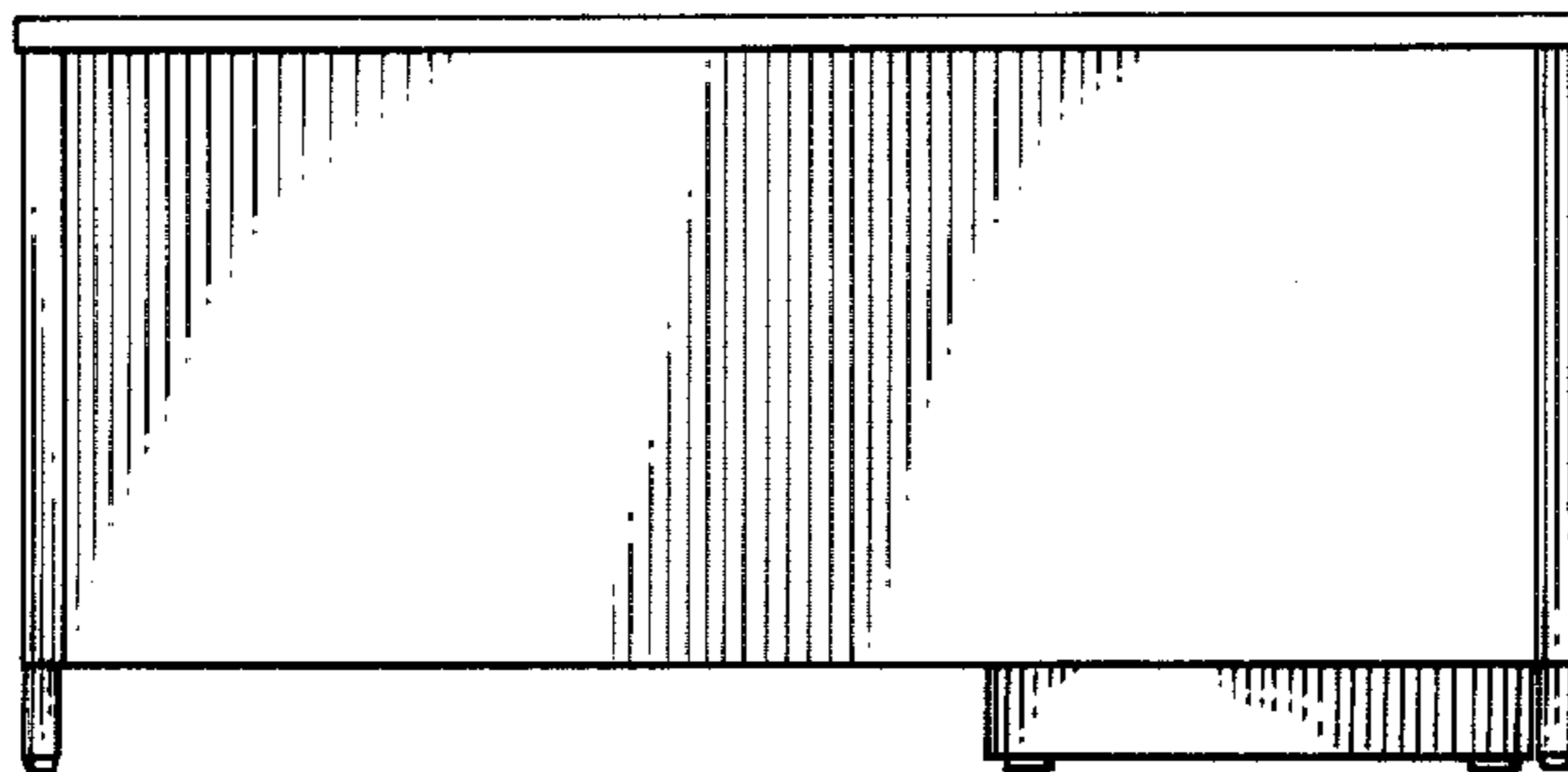


FIG. 7.

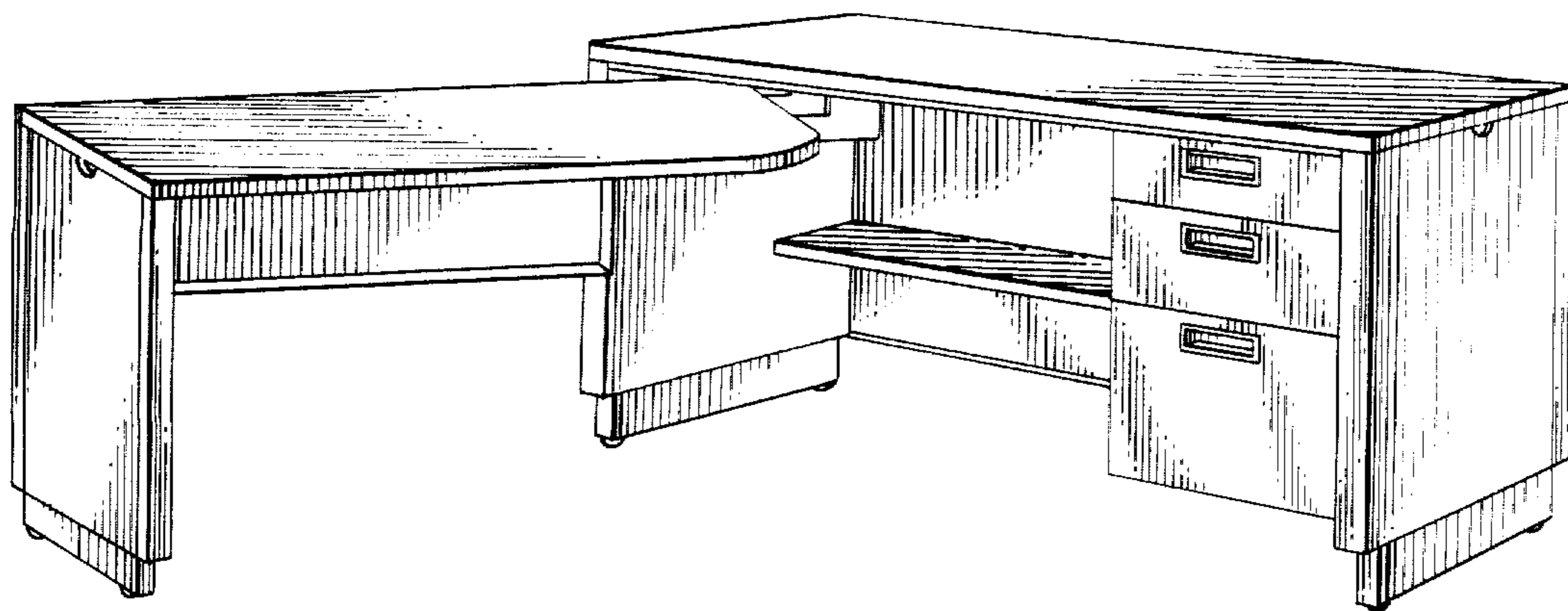


FIG. 8.

