

[54] COMPUTER DISC CONTAINER

3,301,451 1/1967 Halverson ..... D7/83

[75] Inventors: Lorene E. Elzea, Redwood City;  
Robert G. Atwood, Foster City, both  
of Calif.

Primary Examiner—George P. Word  
Attorney, Agent, or Firm—Phillips, Moore, Lempio &  
Majestic

[73] Assignee: Bozley, Inc., Foster City, Calif.

[57] CLAIM

[\*\*] Term: 14 Years

The ornamental design for a computer disc container,  
substantially as shown and described.

[21] Appl. No.: 157,322

DESCRIPTION

[22] Filed: Jun. 9, 1980

[51] Int. Cl. .... D3-02

[52] U.S. Cl. .... D3/35; D9/425;  
D9/426

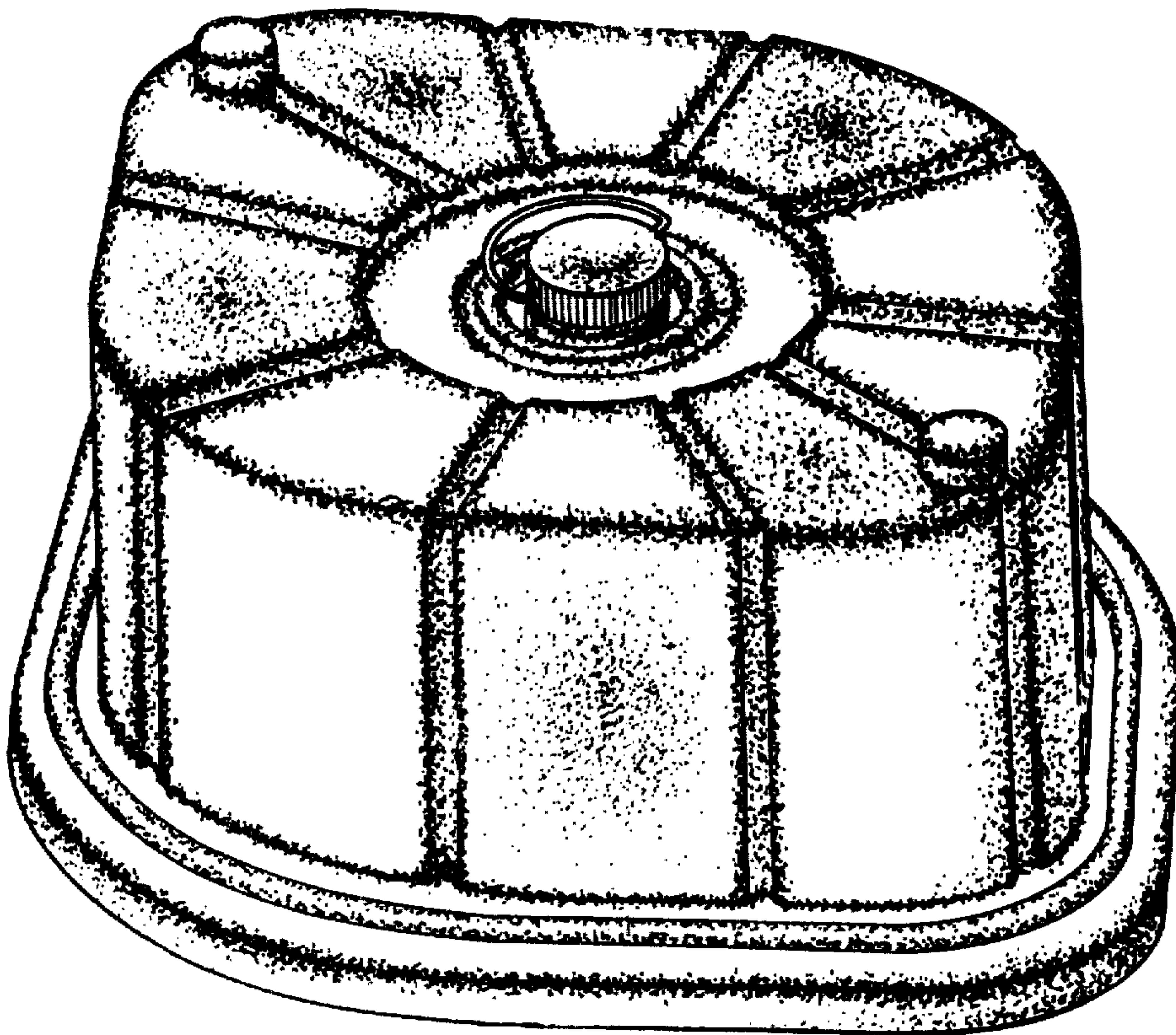
[58] Field of Search ..... D3/30.1, 35;  
D9/424-426; D7/83; 206/444; 220/4 B, 327;  
211/49

FIG. 1 is a perspective view of a computer disc con-  
tainer showing our new design;  
FIG. 2 is a perspective view of the lower portion;  
FIG. 3 is a top plan view of FIG. 1;  
FIG. 4 is a bottom plan view of FIG. 1;  
FIG. 5 is a front elevational view thereof;  
FIG. 6 is a side elevational view thereof;  
FIG. 7 is a cross-sectional view taken through the cen-  
ter of FIG. 5;  
FIG. 8 is a top plan view showing an alternate embodi-  
ment of our new design;  
FIG. 9 is a bottom plan view of the alternate embodi-  
ment of FIG. 8;  
FIG. 10 is a cross-sectional view similar to FIG. 5 but of  
the alternate embodiment of FIGS. 8 and 9.

[56] References Cited

U.S. PATENT DOCUMENTS

- D. 216,271 12/1969 Swett et al. .... D7/83
- D. 257,555 11/1980 Ikushima et al. .... D9/425
- D. 258,203 2/1981 Elzea et al. .... D9/426
- 2,106,726 2/1938 Draeger ..... D3/35



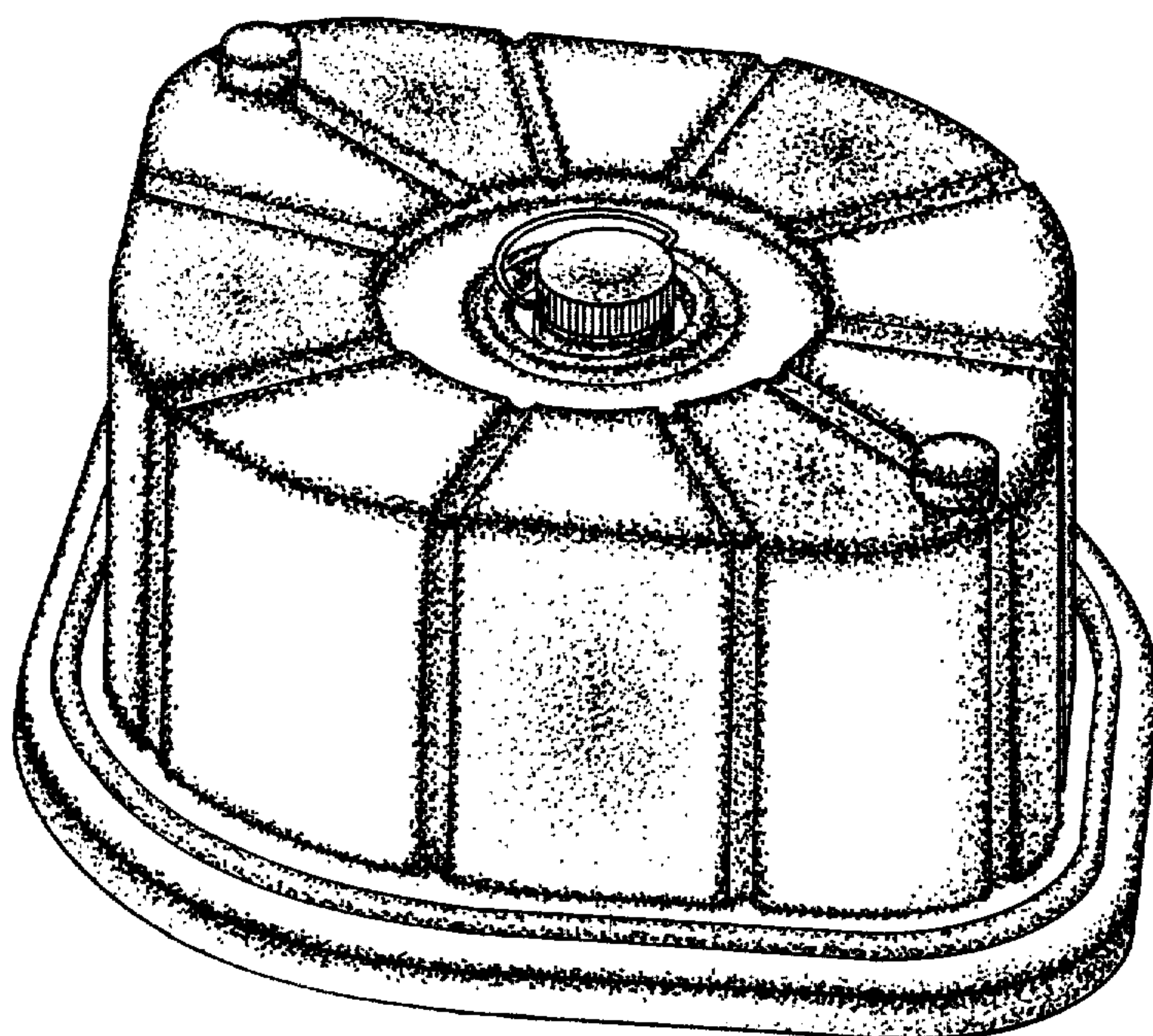


FIG \_ 1

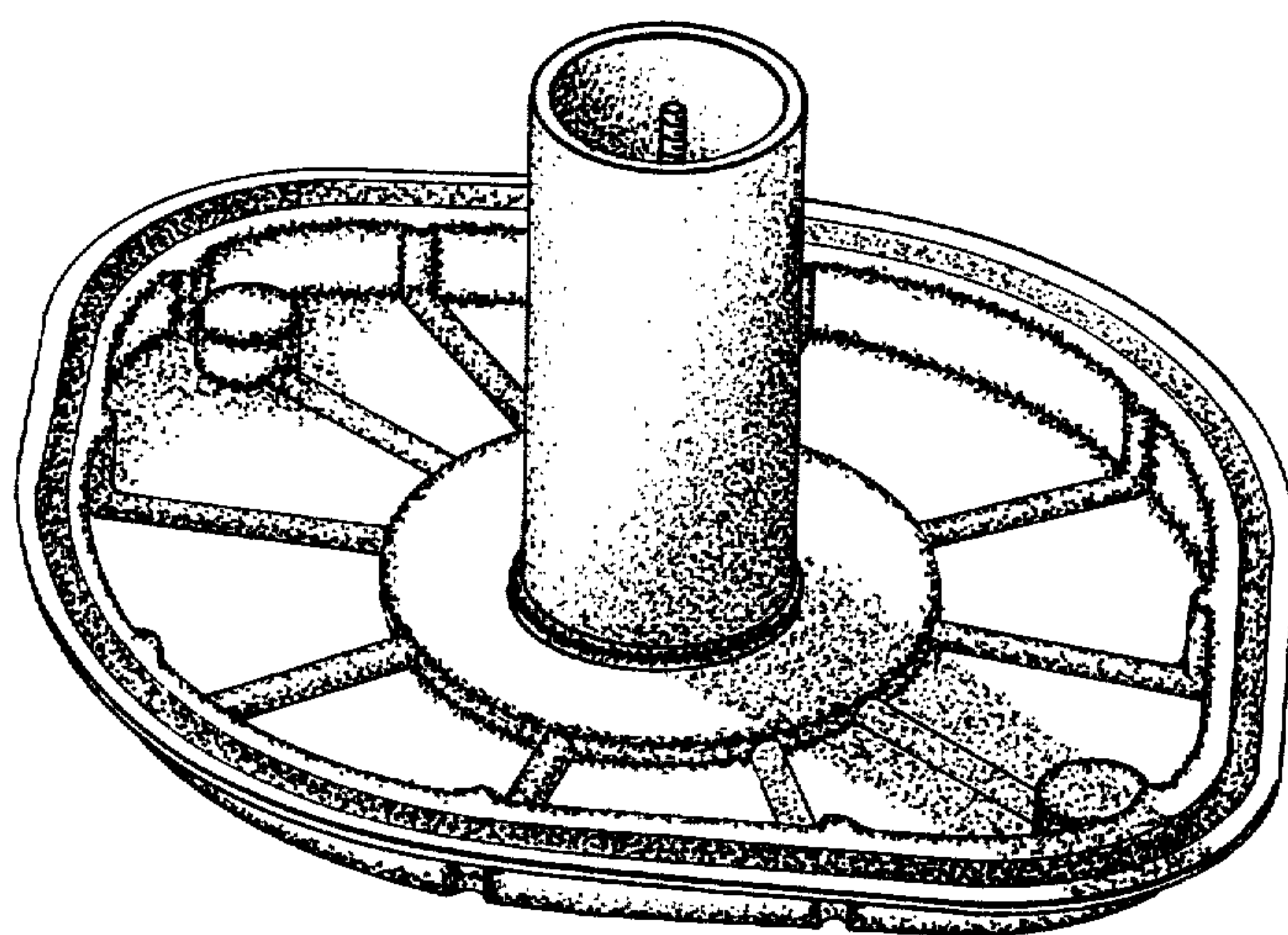
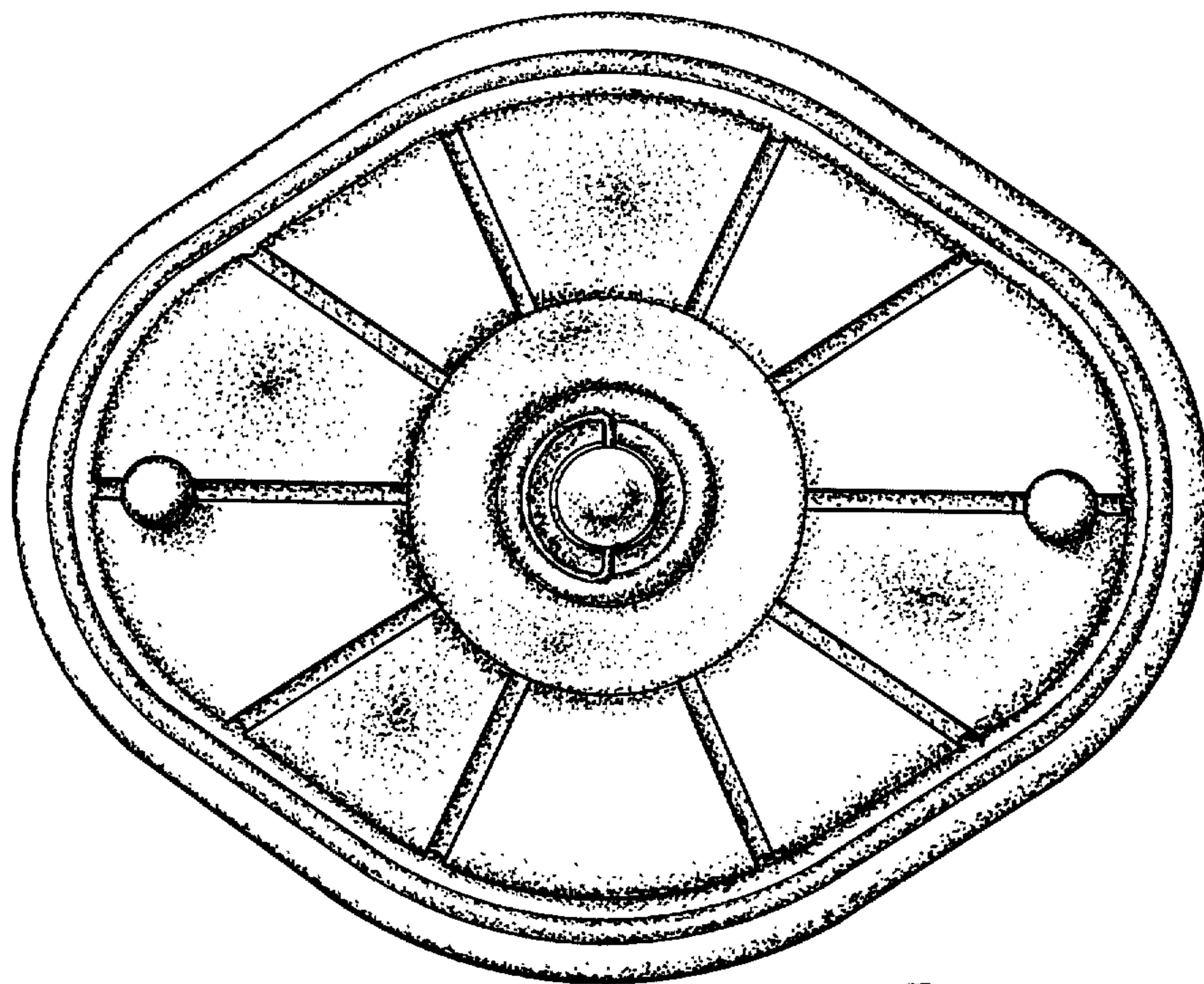
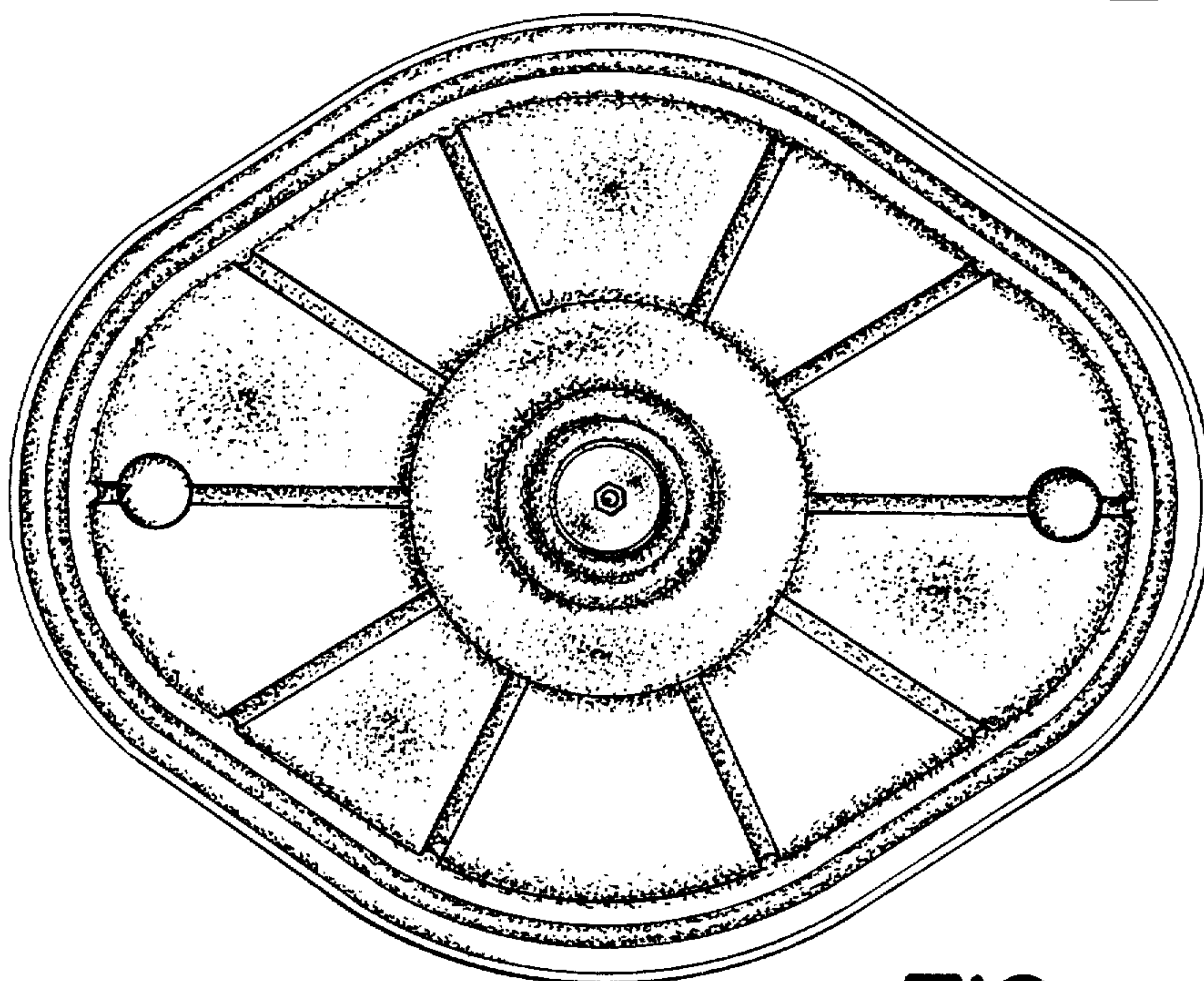


FIG \_ 2





**FIG \_ 3**



**FIG \_ 4**

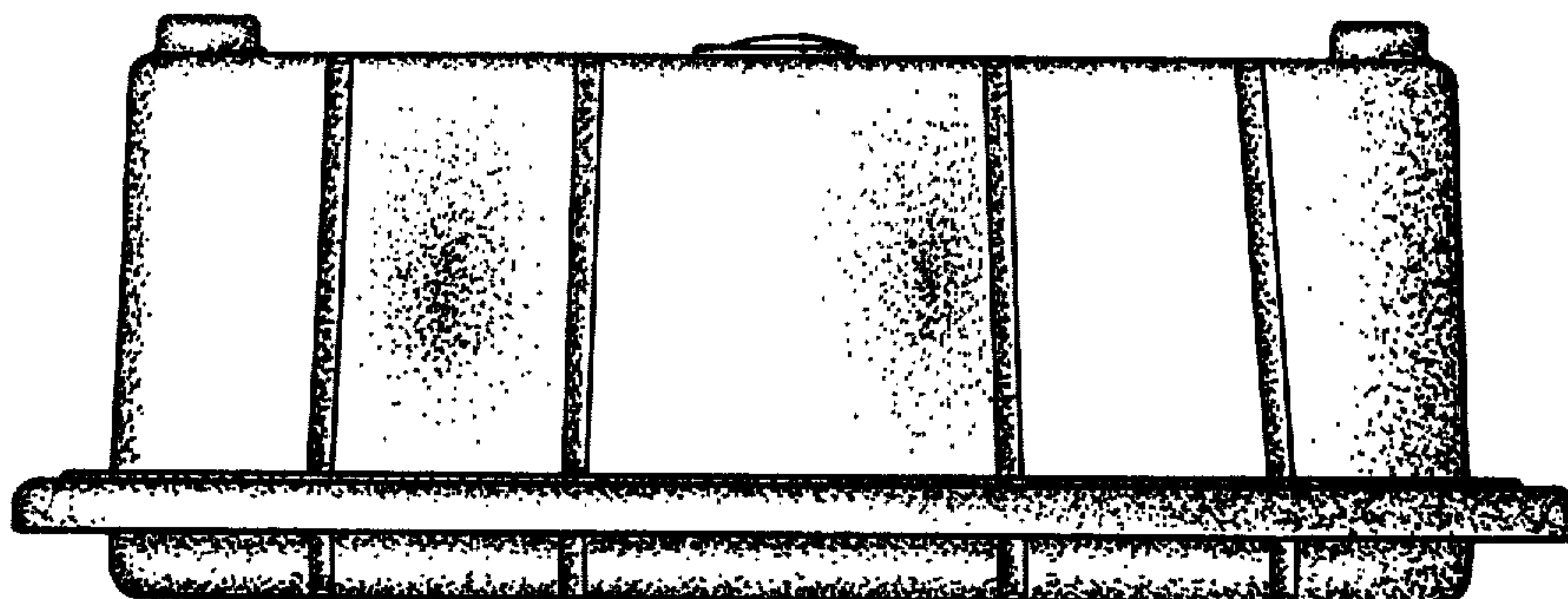


FIG \_ 5



FIG \_ 6

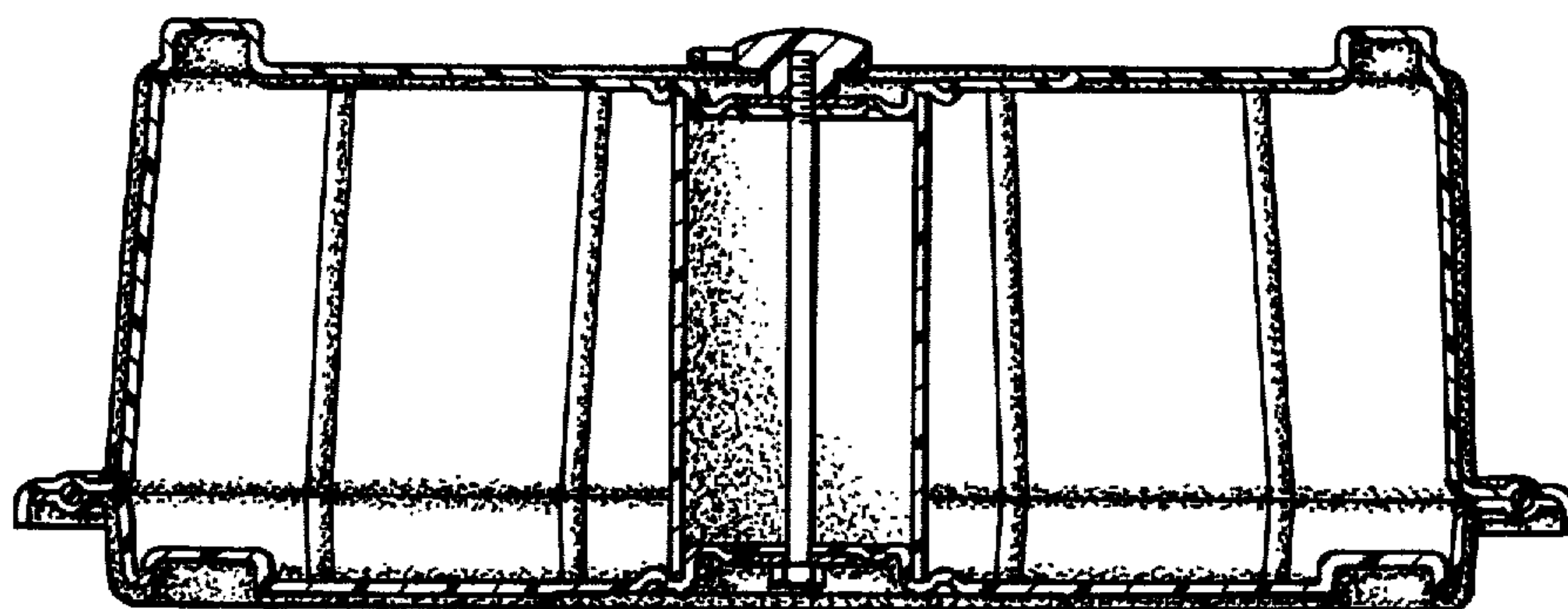


FIG \_ 7



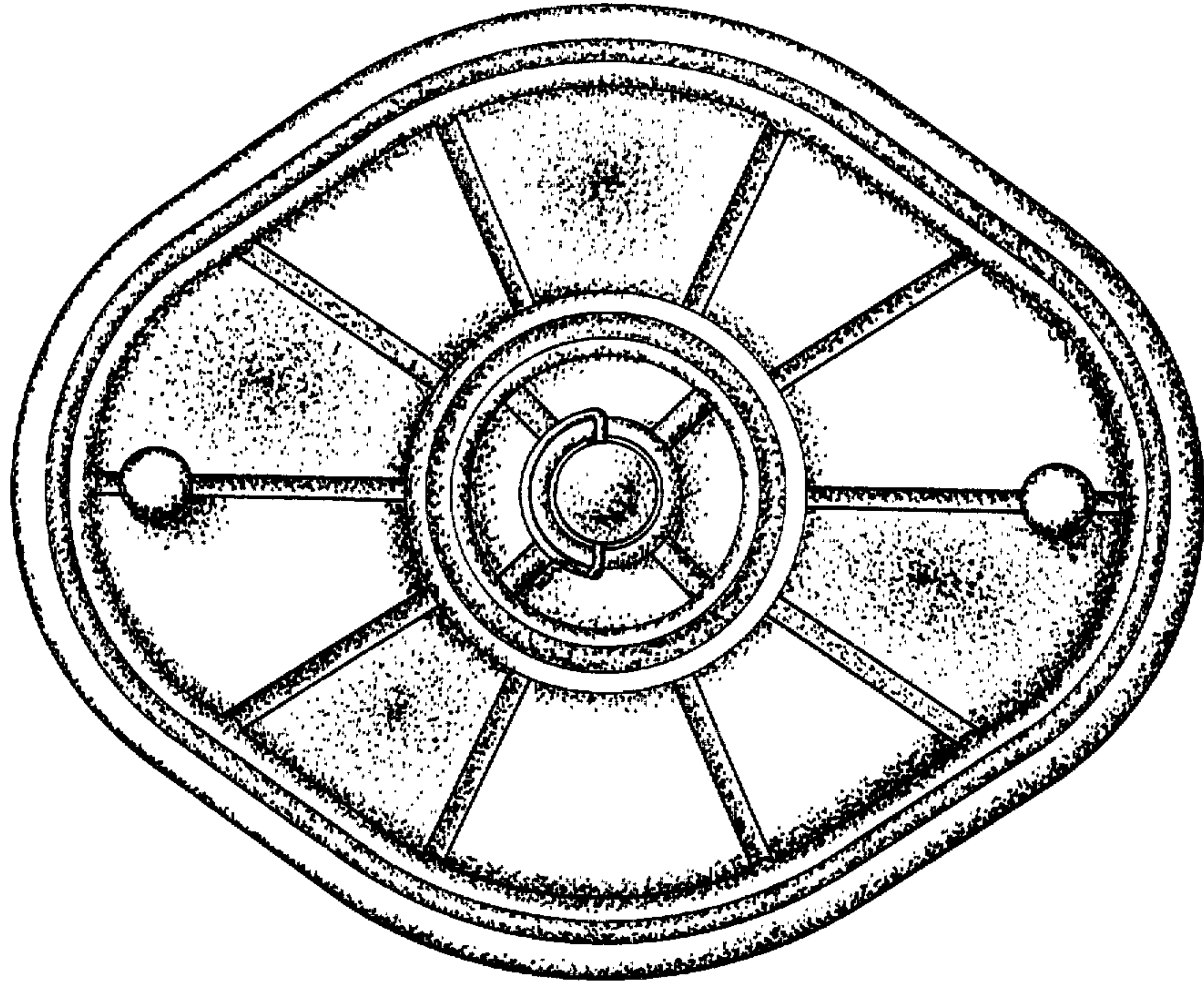


FIG \_ 8

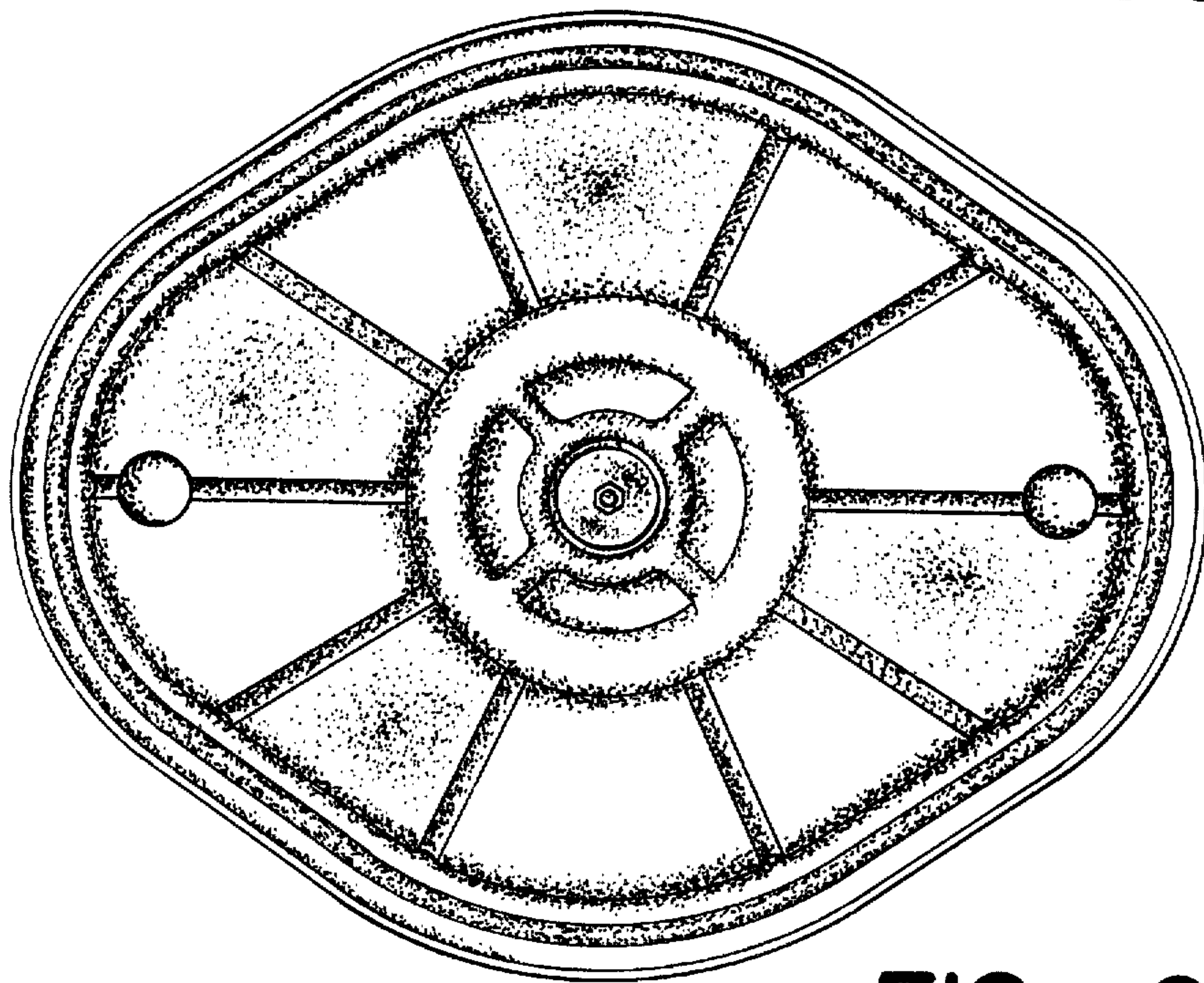


FIG \_ 9

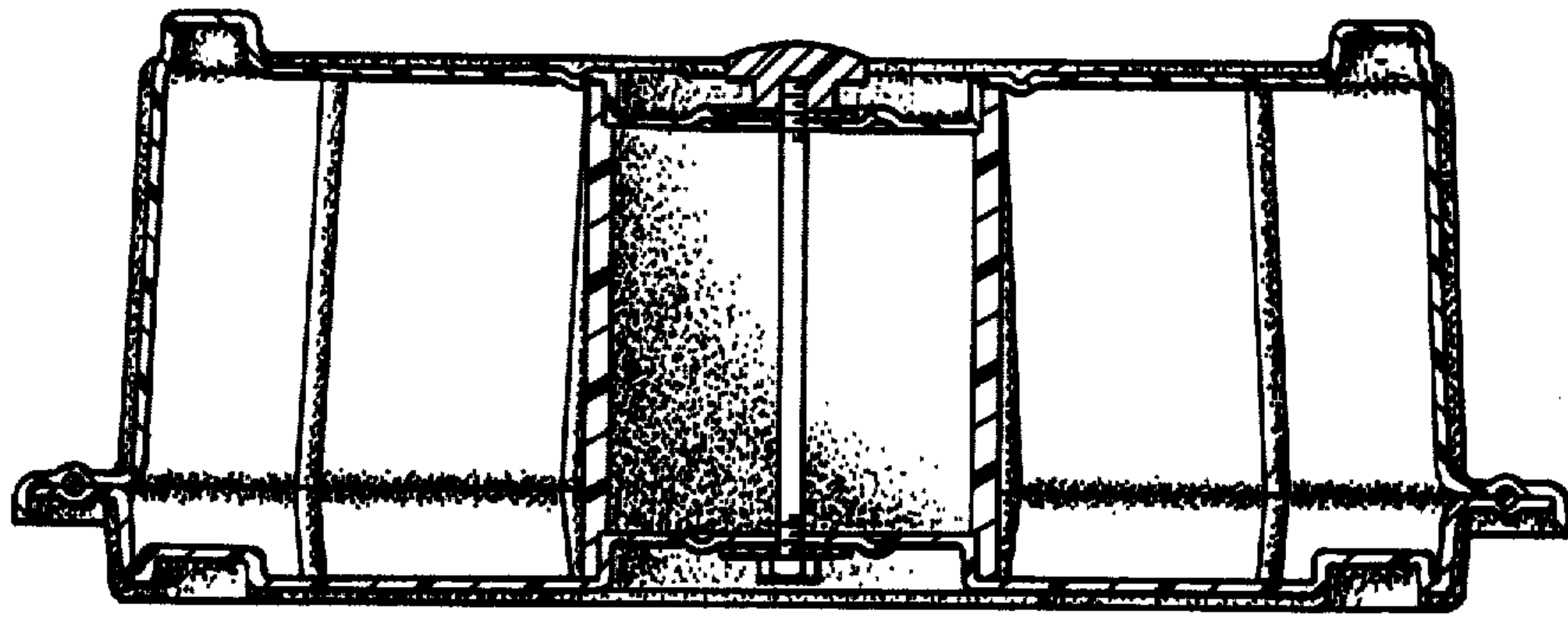


FIG \_ 10