

[54] DOCUMENT TRAY  
[76] Inventor: Eugene W. Howley, 2789 Dunbarton Dr., NW., Canton, Ohio 44708  
[\*\*] Term: 14 Years  
[21] Appl. No.: 168,387  
[22] Filed: Jul. 10, 1980  
[51] Int. Cl. .... D19-02  
[52] U.S. Cl. .... D34/40; D3/35; D6/191; D19/90; D19/92  
[58] Field of Search ..... D19/65, 75, 76, 78, D19/86, 90, 92, 99; 206/425, 556; D6/158, 184, 167, 191; 220/22.3; D3/30.1, 35; 312/184; D34/40

[56] **References Cited**  
**U.S. PATENT DOCUMENTS**  
D. 180,765 8/1957 Briskin ..... D3/35

D. 211,706 7/1968 Blomeyer ..... D3/35  
D. 254,526 3/1980 Dolphin et al. .... D6/184  
D. 261,069 9/1981 Munch et al. .... D34/40  
2,781,125 2/1957 Mills ..... 220/22.3

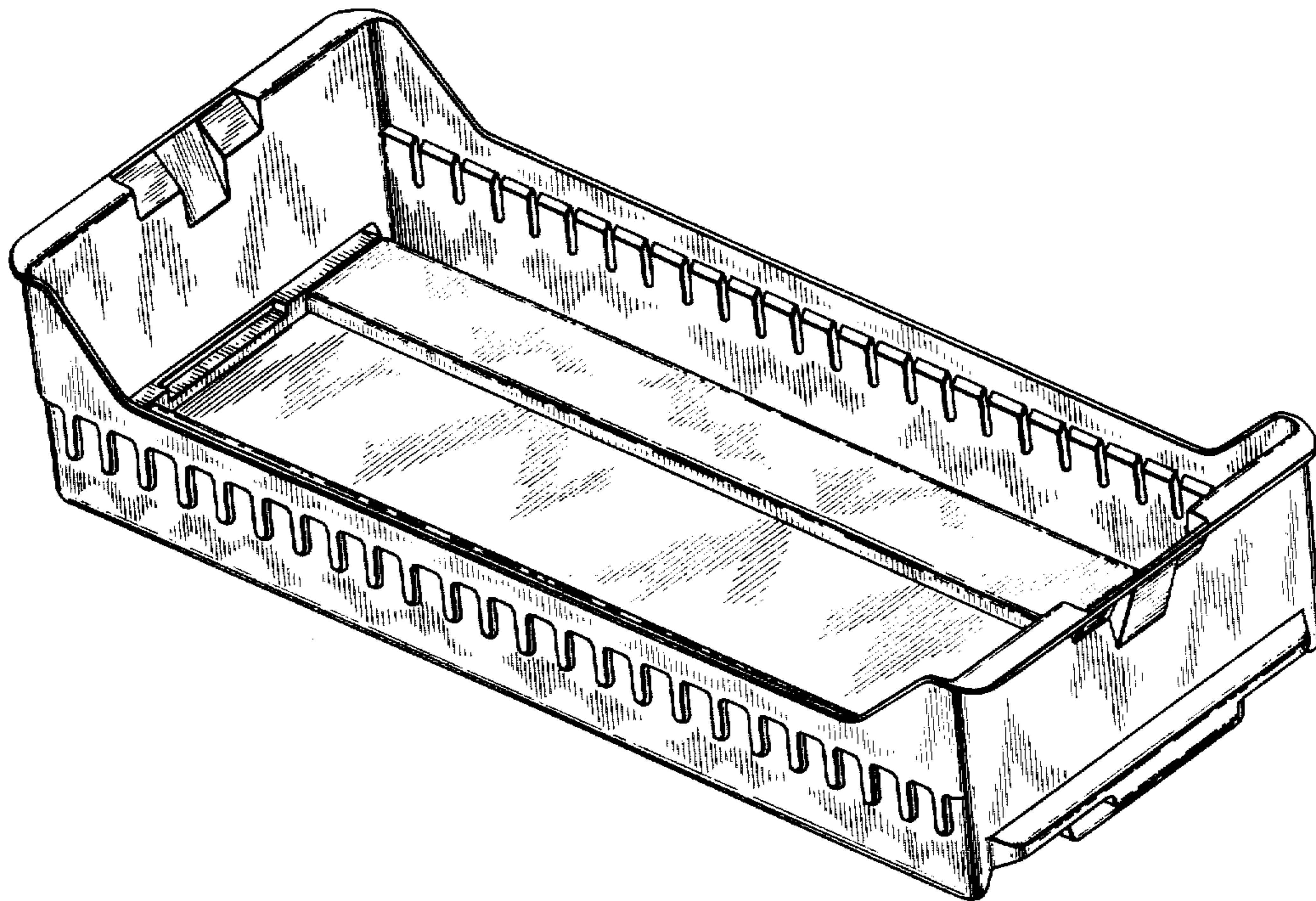
**OTHER PUBLICATIONS**

Devoise G. Cat. No. 77-1, 1977, p. 7, "Drawer Files".  
*Primary Examiner*—George P. Word  
*Attorney, Agent, or Firm*—Frease & Bishop

[57] **CLAIM**  
The ornamental design for a document tray, as shown and described.

**DESCRIPTION**

FIG. 1 is a top right perspective view of a document tray showing my new design;  
FIG. 2 is a top plan view thereof;  
FIG. 3 is a side elevational view thereof;  
FIG. 4 is a bottom plan view thereof; and  
FIG. 5 is an end elevational view thereof.



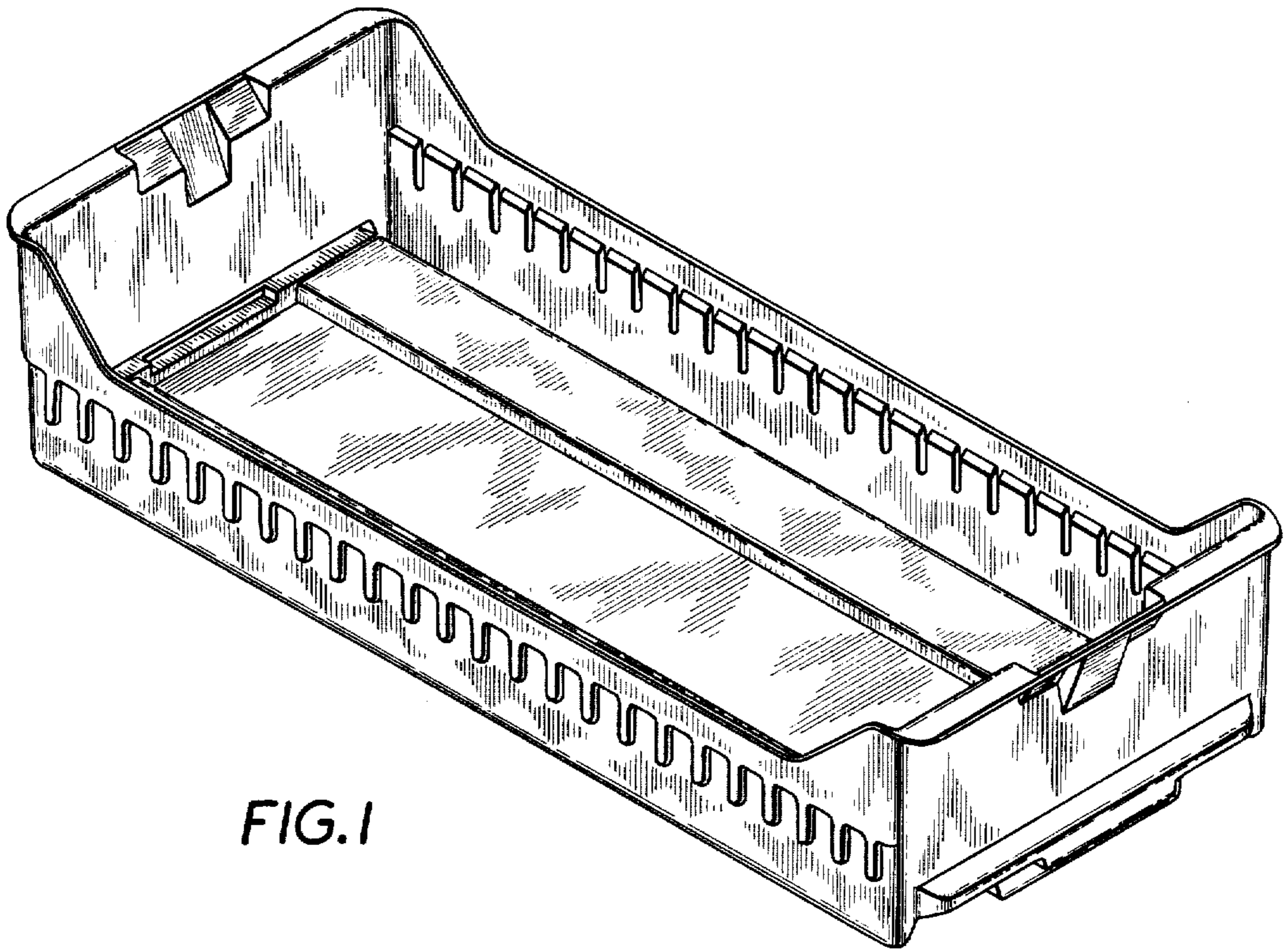


FIG. 1

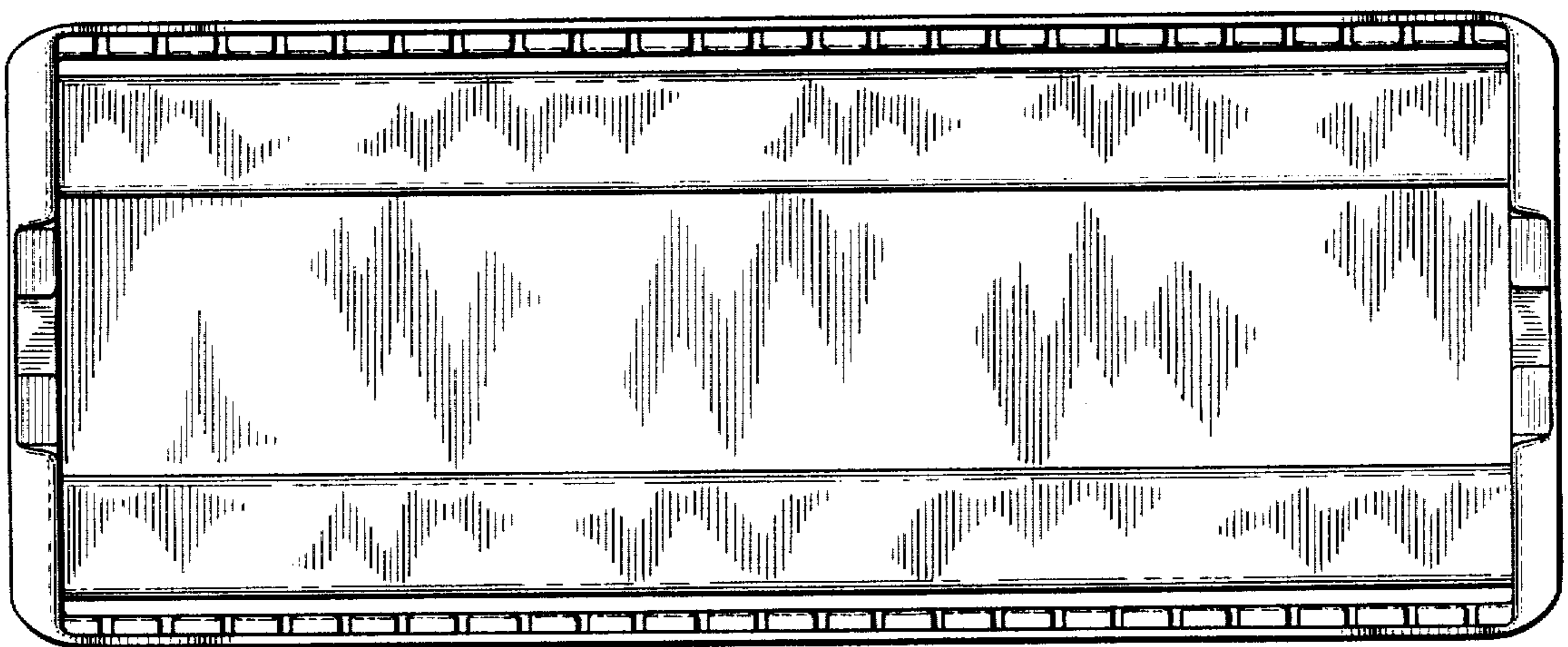


FIG. 2

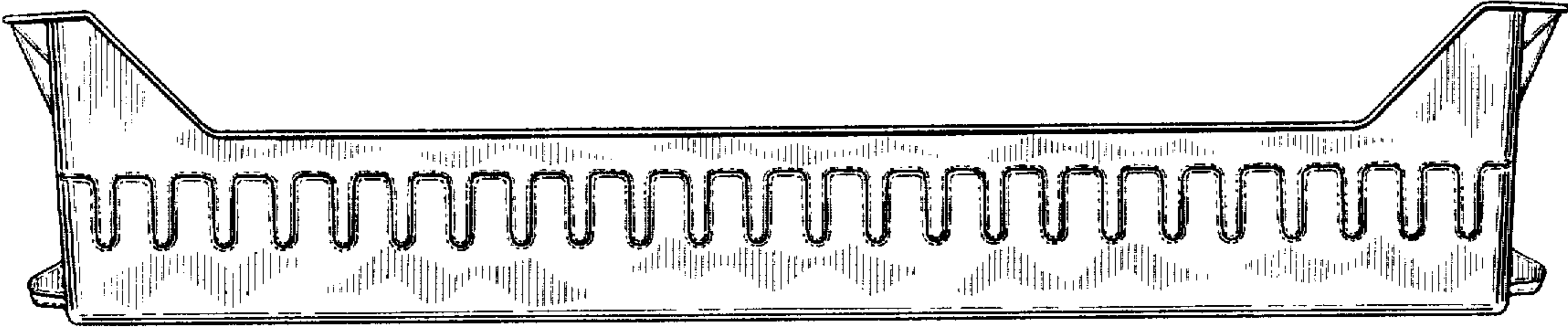


FIG. 3

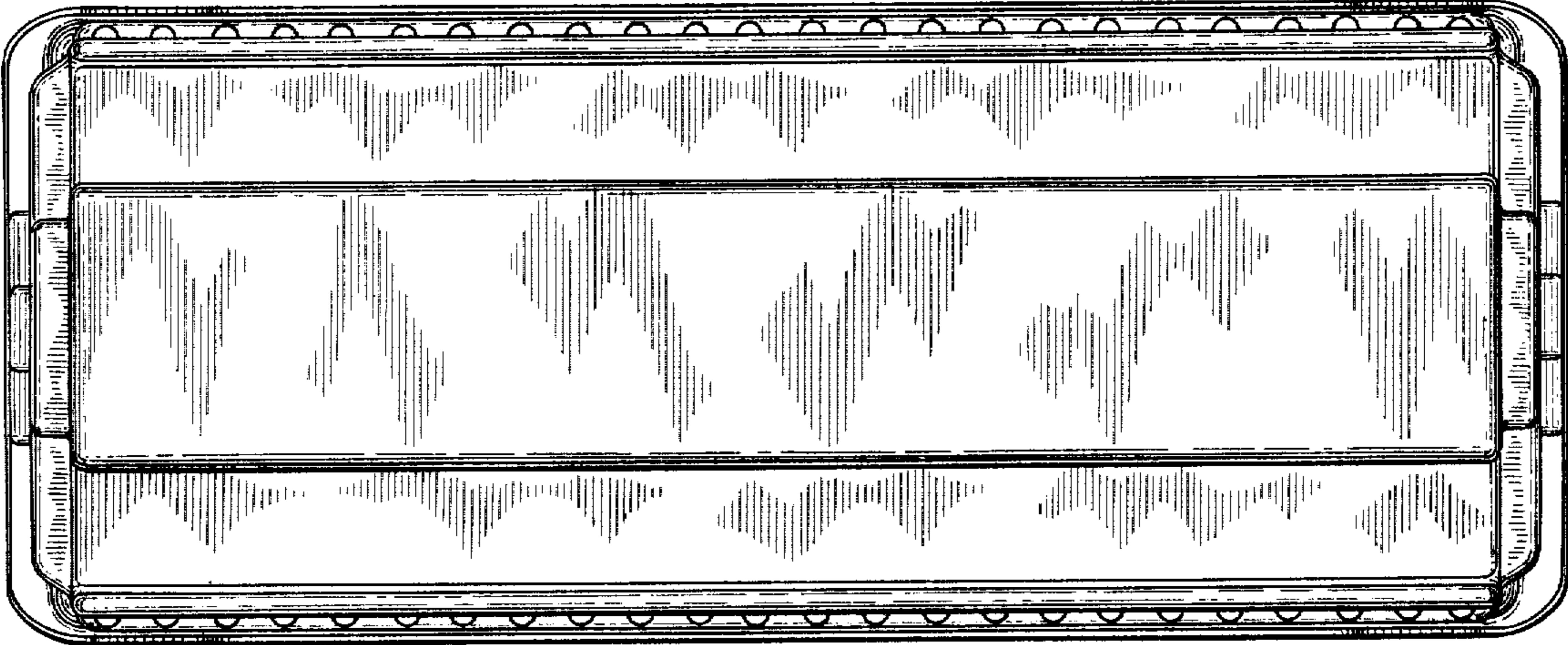


FIG. 4

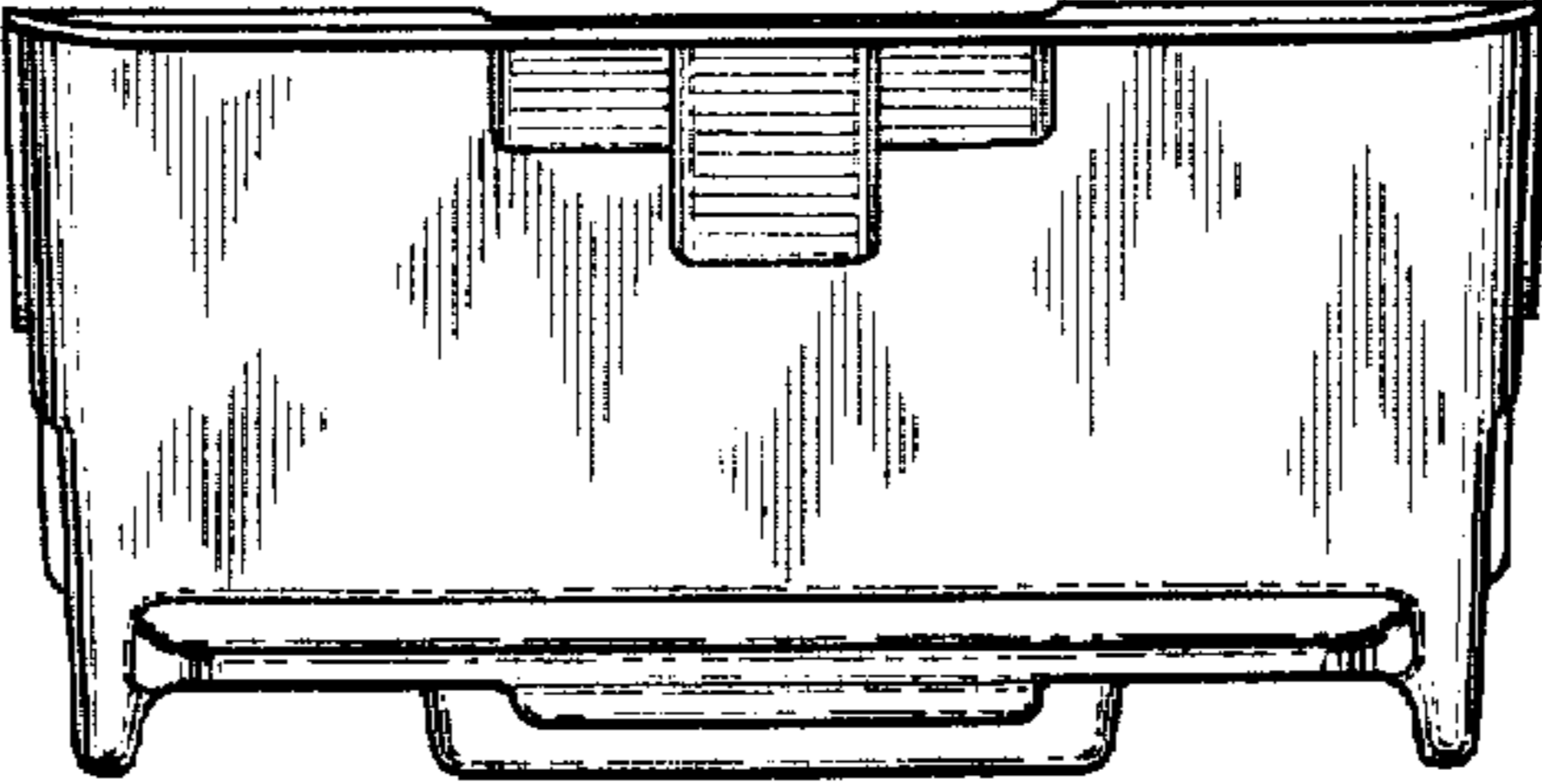


FIG. 5