

[54] **SIGN FRAME**

[76] **Inventor:** **Richard P. Robillard**, 2101 Shoreline Dr. #252, Alameda, Calif. 94501

[\*\*] **Term:** **14 Years**

[21] **Appl. No.:** **154,008**

[22] **Filed:** **May 28, 1980**

[51] **Int. Cl.** ..... **D20-03**  
[52] **U.S. Cl.** ..... **D20/41**  
[58] **Field of Search** ..... **D20/10, 40, 41; 40/584,**  
**40/606, 607, 611; 248/156**

[56] **References Cited**

**U.S. PATENT DOCUMENTS**

1,902,189 3/1933 Schutt ..... 40/607  
4,092,792 6/1978 Vorhees ..... 40/611 X  
4,249,715 2/1981 Repp ..... 248/156 X

*Primary Examiner*—Catherine E. Kemper  
*Attorney, Agent, or Firm*—Bruce & McCoy

[57] **CLAIM**

The ornamental design for a sign frame, as shown and described.

**DESCRIPTION**

FIG. 1 is a perspective view of a sign frame, showing my new design;  
FIG. 2 is a front elevational view thereof;  
FIG. 3 is an end elevational view thereof.  
The post portion has been shown fragmentarily in all views to indicate indeterminate length.

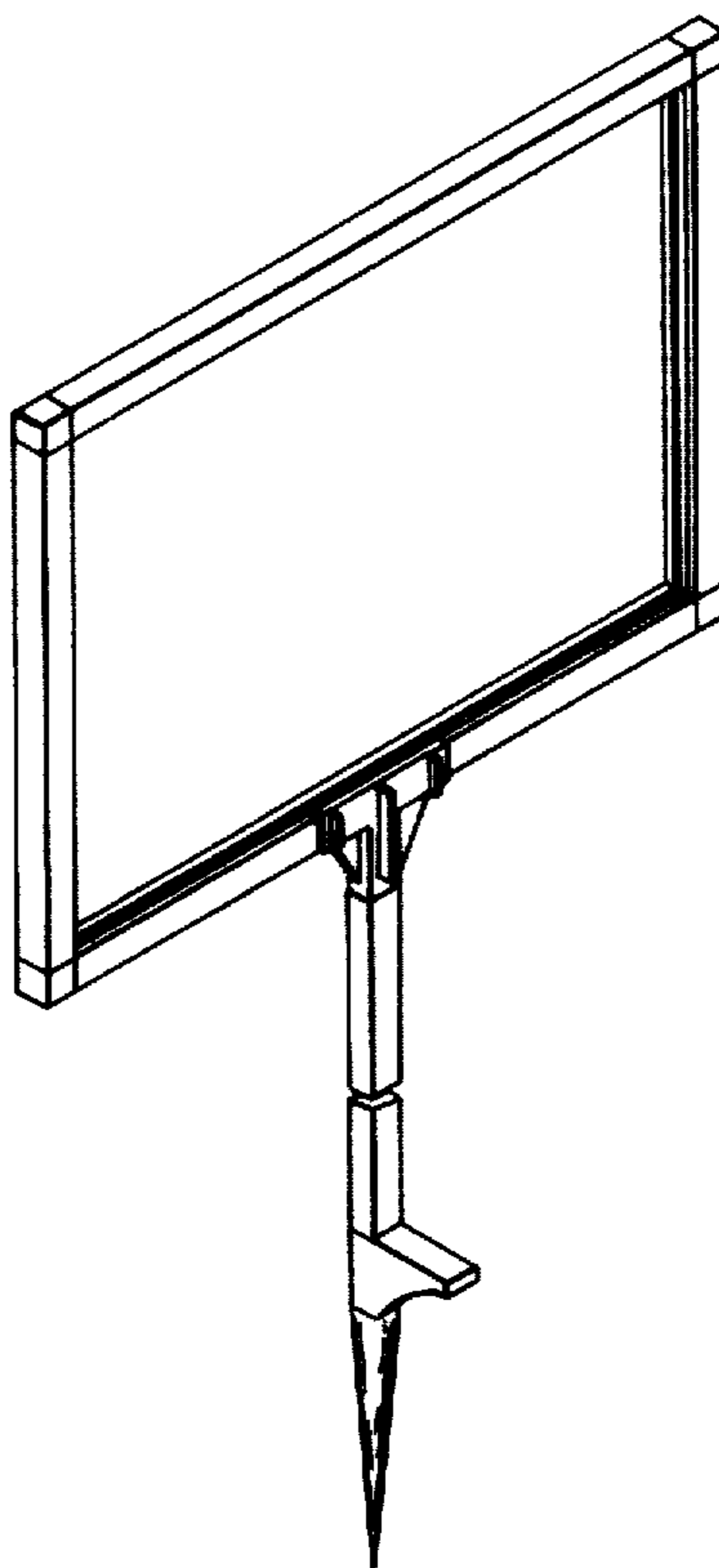


FIG.—1

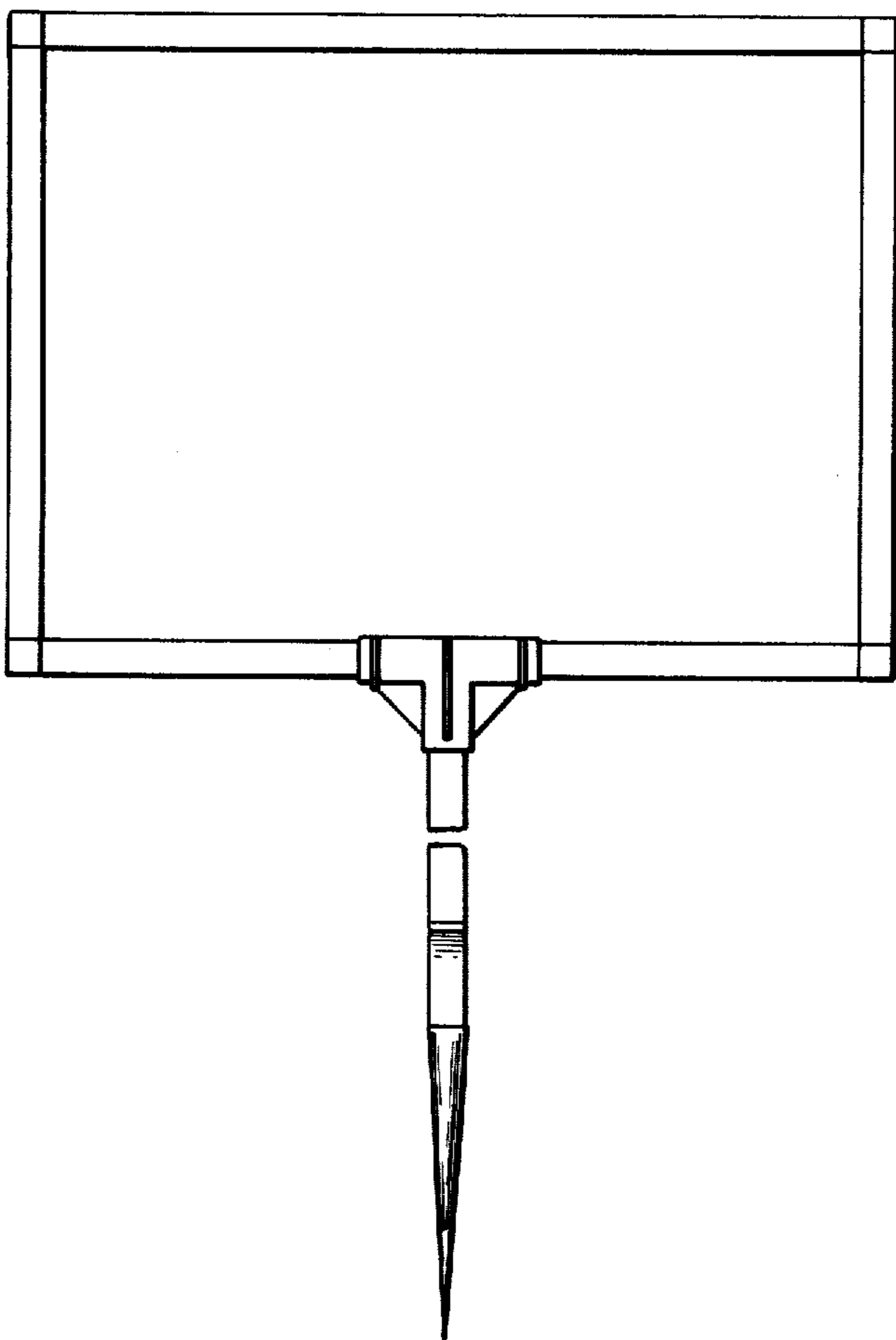
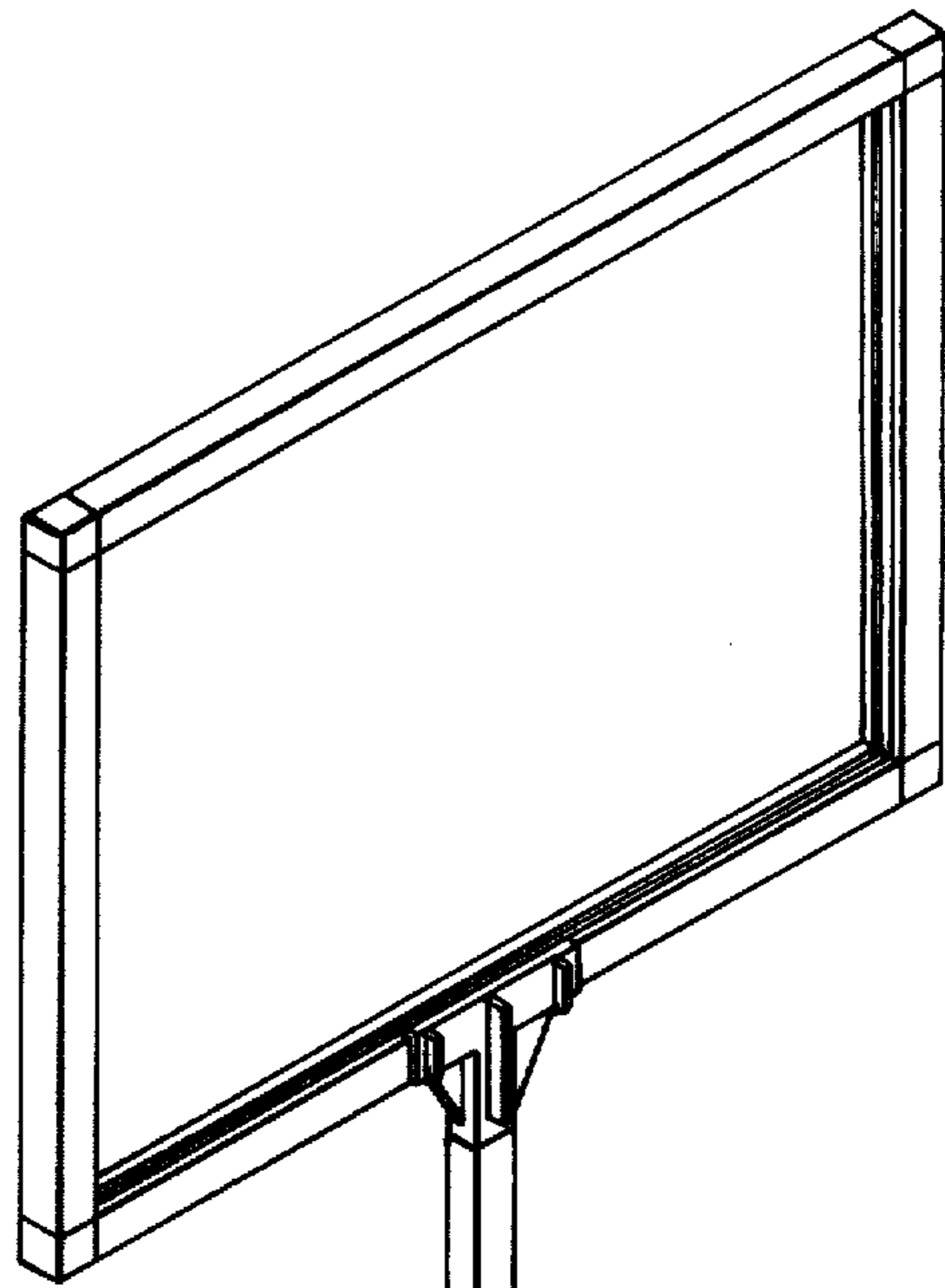


FIG.—2

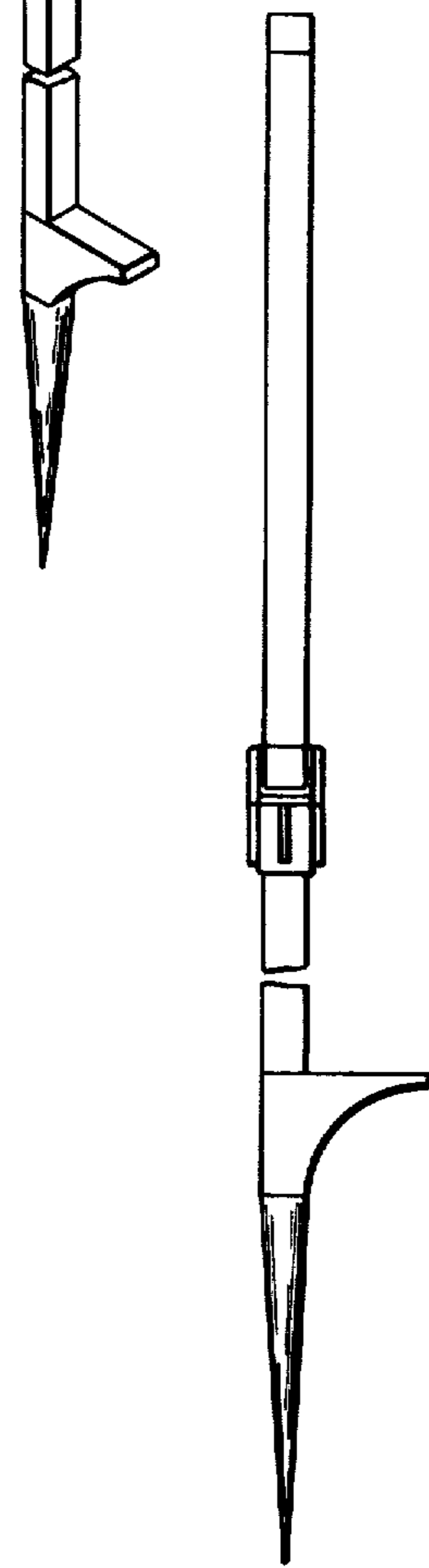


FIG.—3