

[54] PAPER HOLDER

[76] Inventor: Victor H. Wilcox, 1526 Westoner Ave. SW, Roanoke, Va. 24015

[**] Term: 14 Years

[21] Appl. No.: 166,240

[22] Filed: Jul. 7, 1980

Related U.S. Application Data

[63] Continuation-in-part of Ser. No. 31,696, Apr. 20, 1979, abandoned.

[51] Int. Cl. D19-02

[52] U.S. Cl. D19/86; D11/160; D19/97

[58] Field of Search D19/75, 84, 86, 90, D19/96, 97; D11/157-160; D21/166-168, 177; D8/395

[56] References Cited

U.S. PATENT DOCUMENTS

| | | | | |
|------------|--------|-----------|-------|---------|
| D. 229,947 | 1/1974 | Haenely | | D19/90 |
| D. 231,140 | 4/1974 | Blodgett | | D19/84 |
| D. 241,541 | 9/1976 | Kohl | | D19/86 |
| D. 252,578 | 8/1979 | Charowhas | | D19/90 |
| D. 254,058 | 1/1980 | Langlois | | D11/160 |

OTHER PUBLICATIONS

R. Dakin Co. Dream Dolls Cat. 1967, p. 4, Item No. 703.

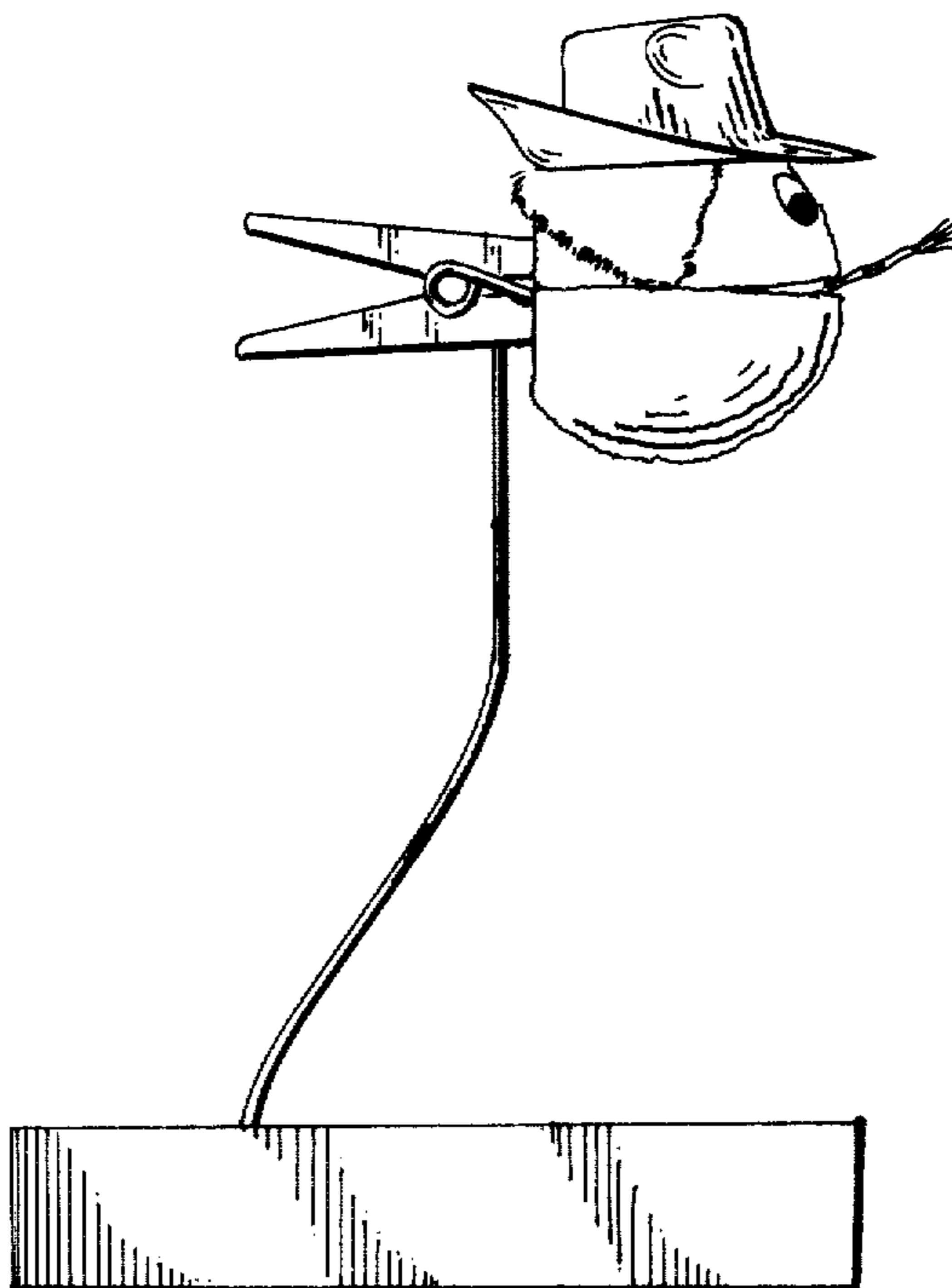
Primary Examiner—George P. Word
Attorney, Agent, or Firm—D. Anthony Gregory

[57] CLAIM

The ornamental design for a paper holder, as shown and described.

DESCRIPTION

FIG. 1 is a left side elevational view of a paper holder showing my new design; FIG. 2 is a front elevational view; FIG. 3 is a rear elevational view; FIG. 4 is a right side elevational view; and FIG. 5 is a top plan view.



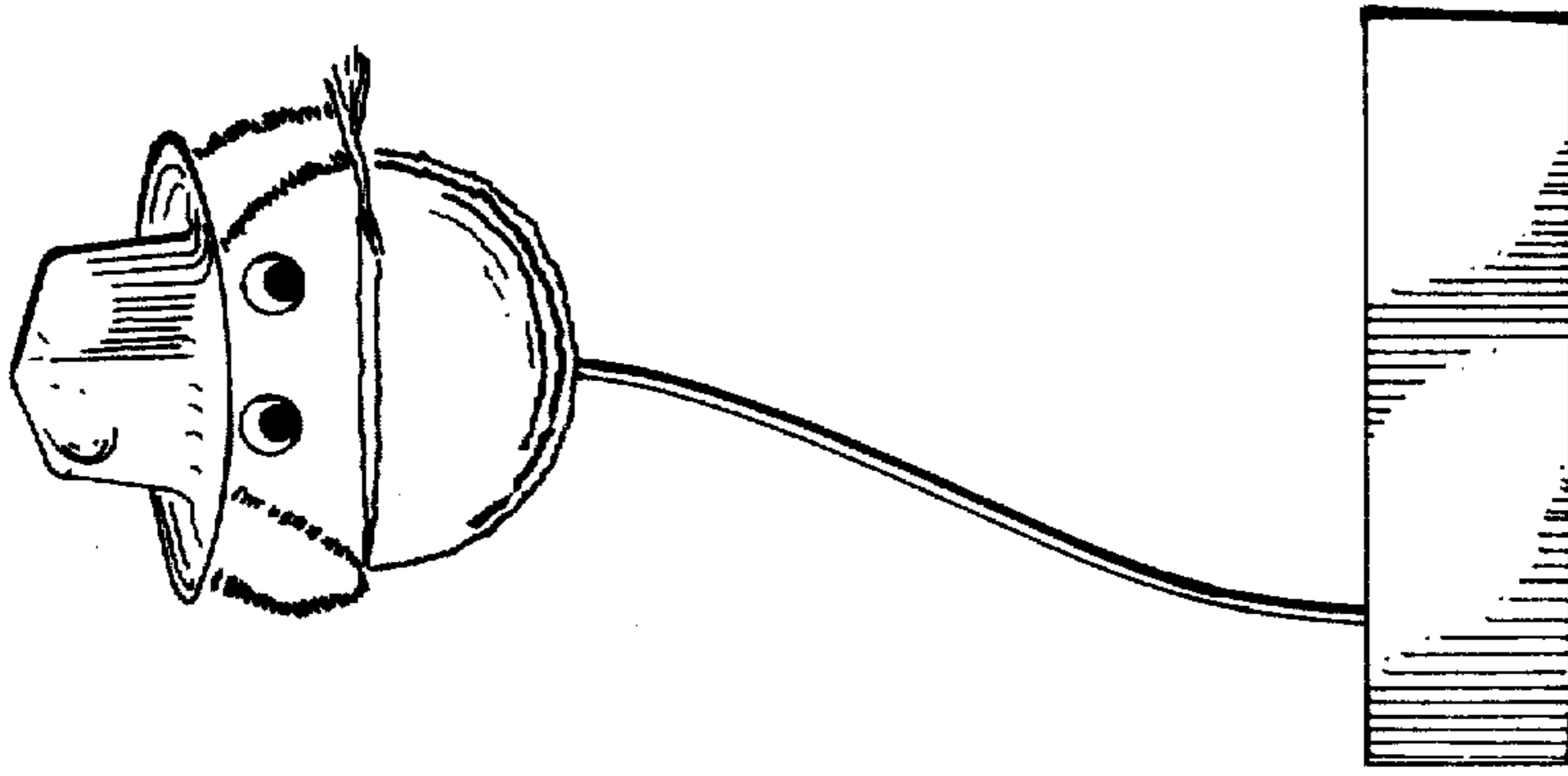


FIG. 2

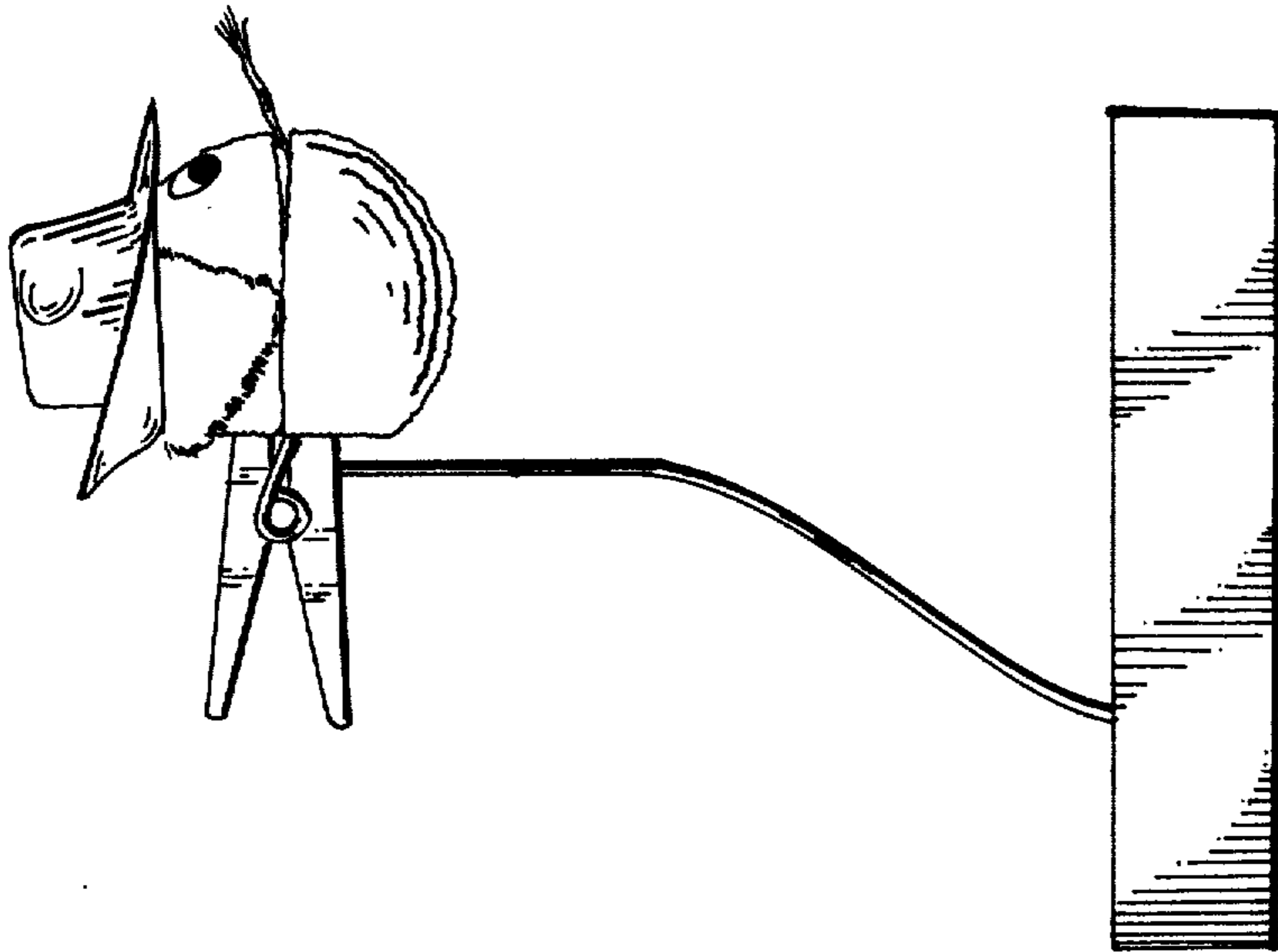


FIG. 1

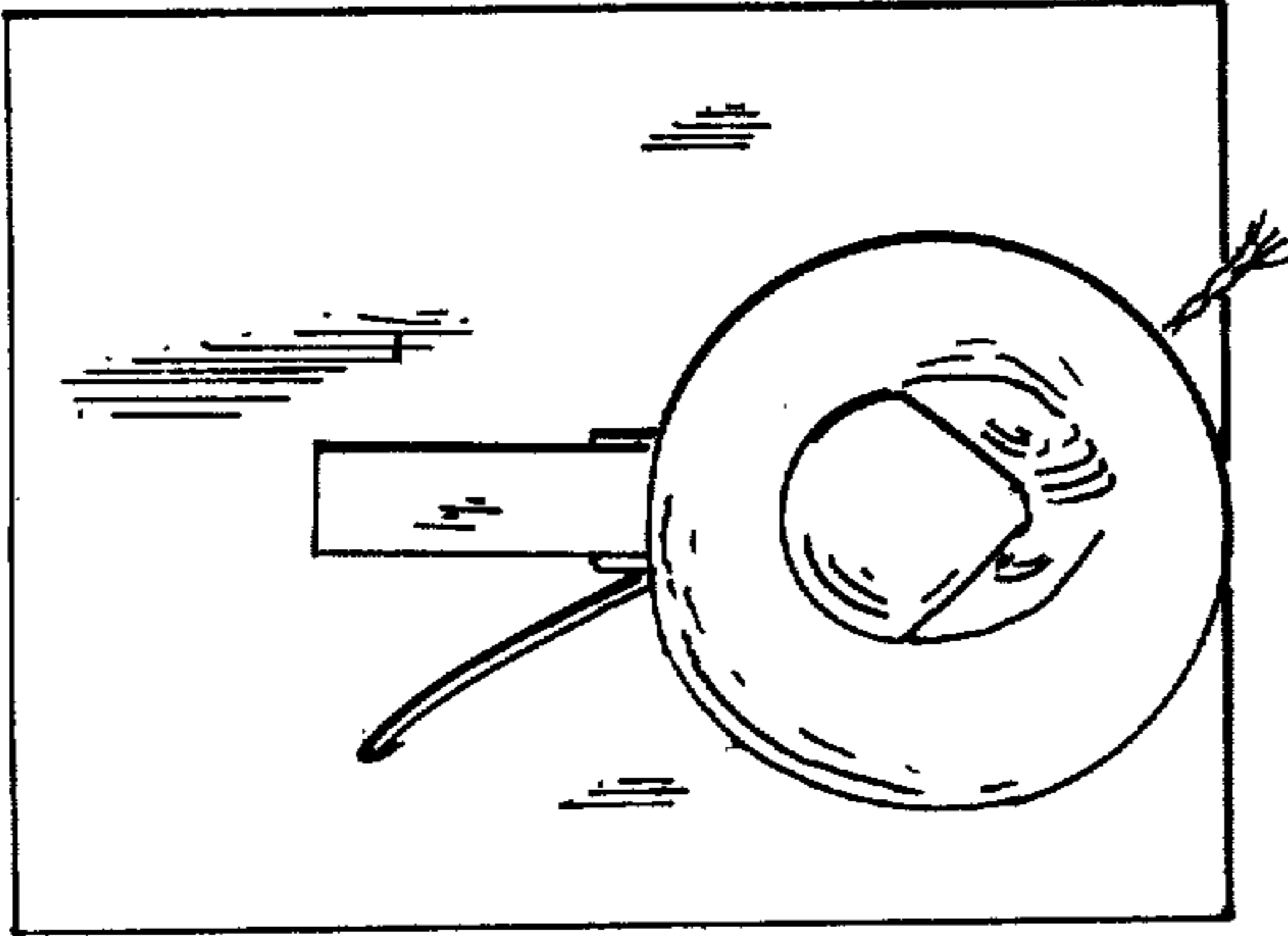


FIG. 5

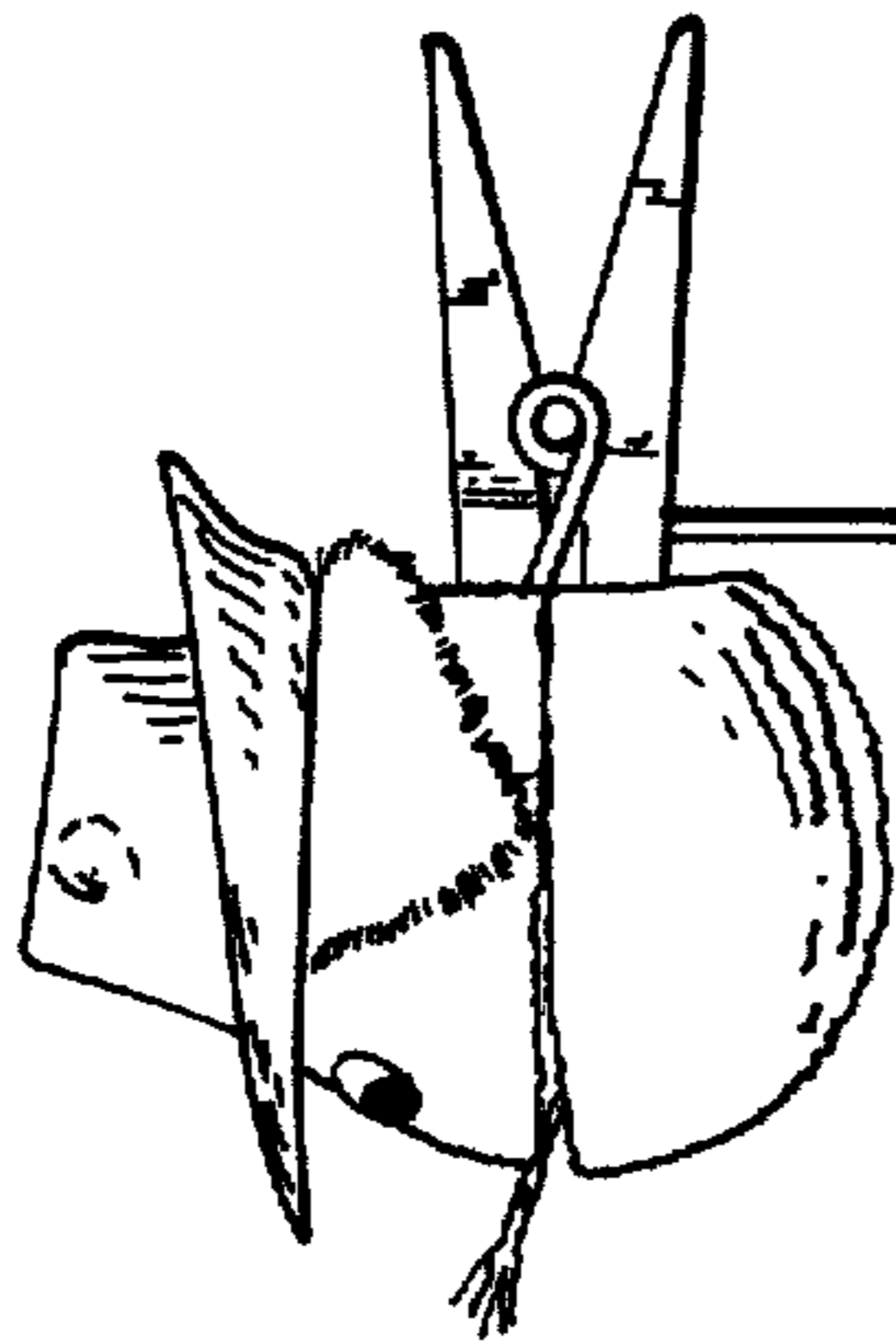


FIG. 4

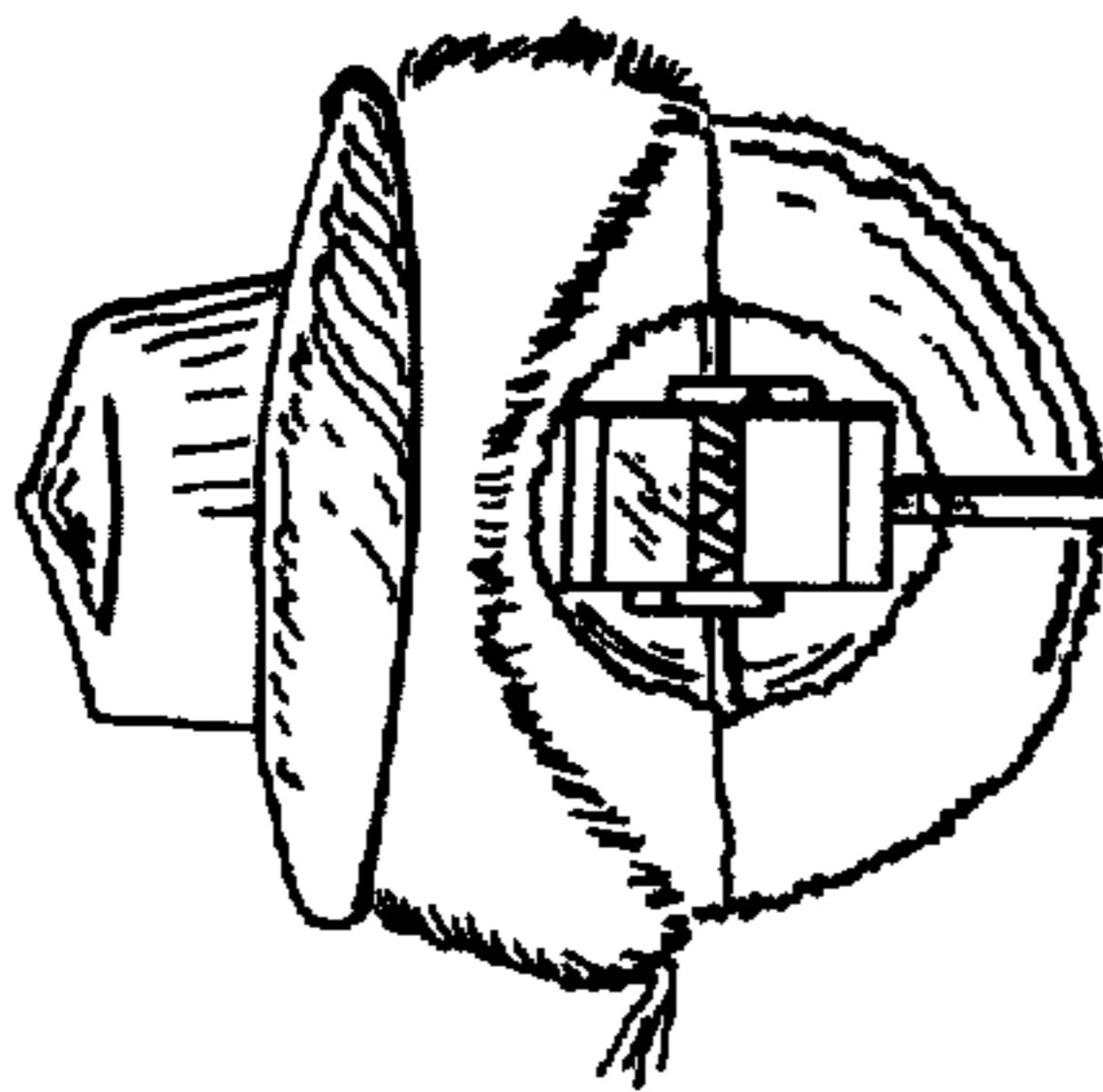


FIG. 3