

[54] SEWING MACHINE

[75] Inventor: Nobufusa Kuroki, Koganei, Japan

[73] Assignee: Janome Sewing Machine Co. Ltd., Tokyo, Japan

[\*\*] Term: 14 Years

[21] Appl. No.: 151,105

[22] Filed: May 19, 1980

[30] Foreign Application Priority Data

Feb. 22, 1980 [JP] Japan ..... 55-6129

[51] Int. Cl. .... D15-06

[52] U.S. Cl. .... D15/70

[58] Field of Search ..... D15/66-76, D15/78; 112/258, 259, 260

[56] References Cited

U.S. PATENT DOCUMENTS

D. 214,853 8/1969 Rosenfeld ..... D15/76

D. 235,925 7/1975 Kudo et al. .... D15/68  
D. 247,496 3/1978 Genaro ..... D15/69  
D. 250,649 12/1978 Hirano ..... D15/70  
4,183,310 1/1980 Johnson ..... 112/258 X

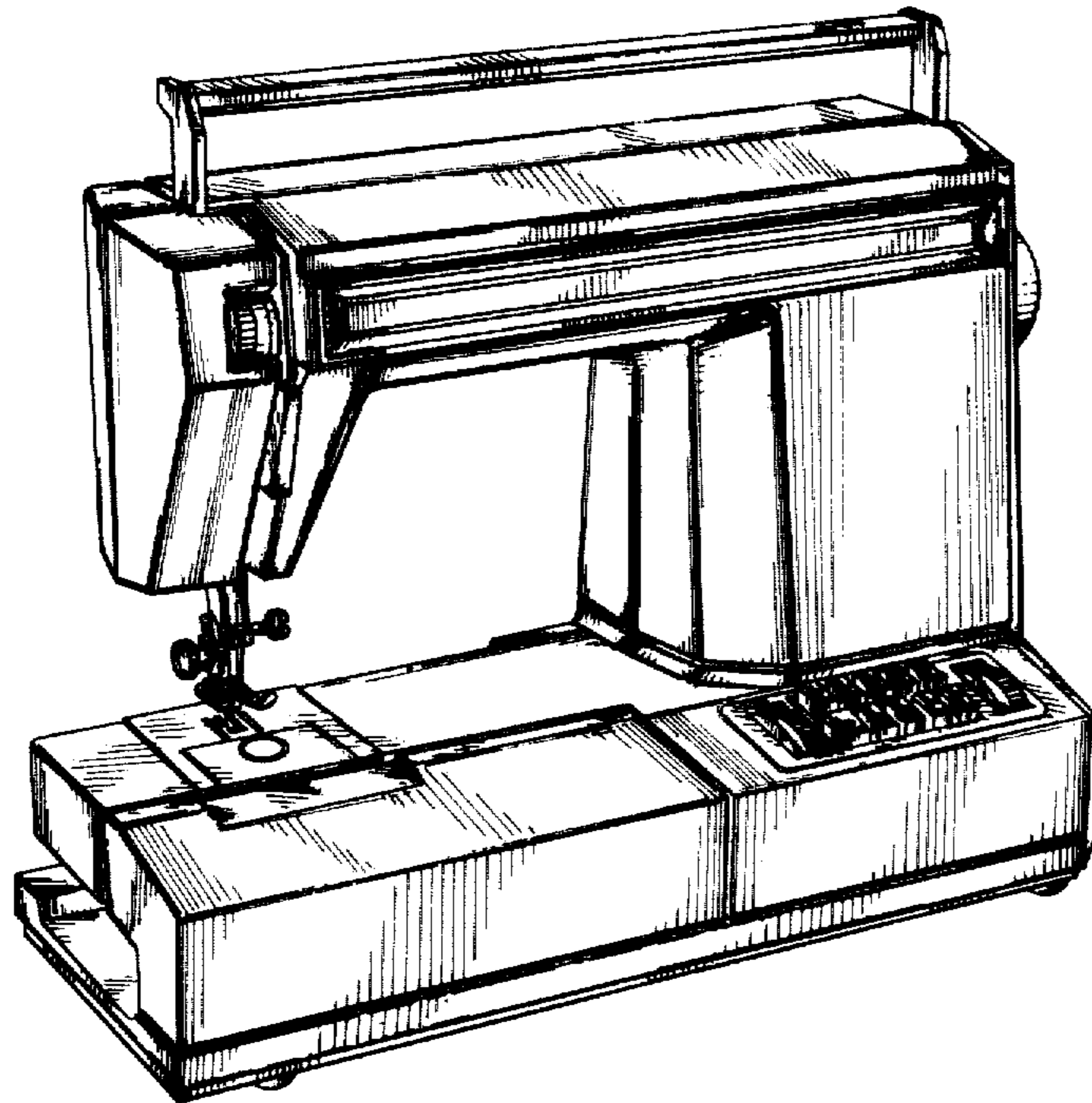
Primary Examiner—Robert C. Spangler  
Attorney, Agent, or Firm—Michael J. Striker

[57] CLAIM

The ornamental design for a sewing machine, as shown.

DESCRIPTION

FIG. 1 is a perspective view of a sewing machine embodying my new design;  
FIG. 2 is a front elevational view;  
FIG. 3 is a fragmentary sectional view taken on the line 3—3 of FIG. 2;  
FIG. 4 is a rear elevational view;  
FIG. 5 is an end elevational view looking from the right of FIG. 2;  
FIG. 6 is an end elevational view looking from the left of FIG. 2;  
FIG. 7 is a top plan view; and  
FIG. 8 is a bottom plan view thereof.



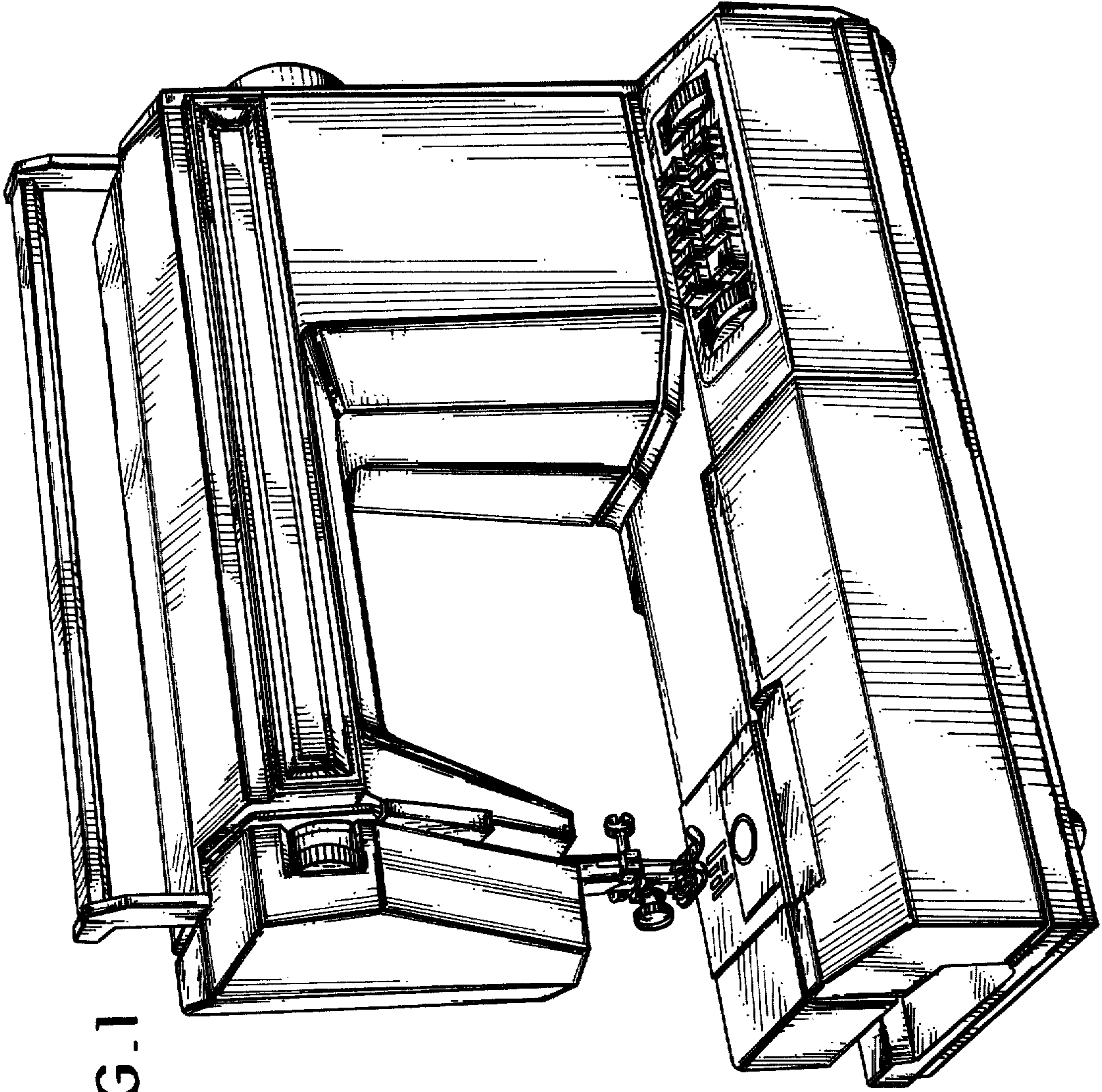


FIG. 1

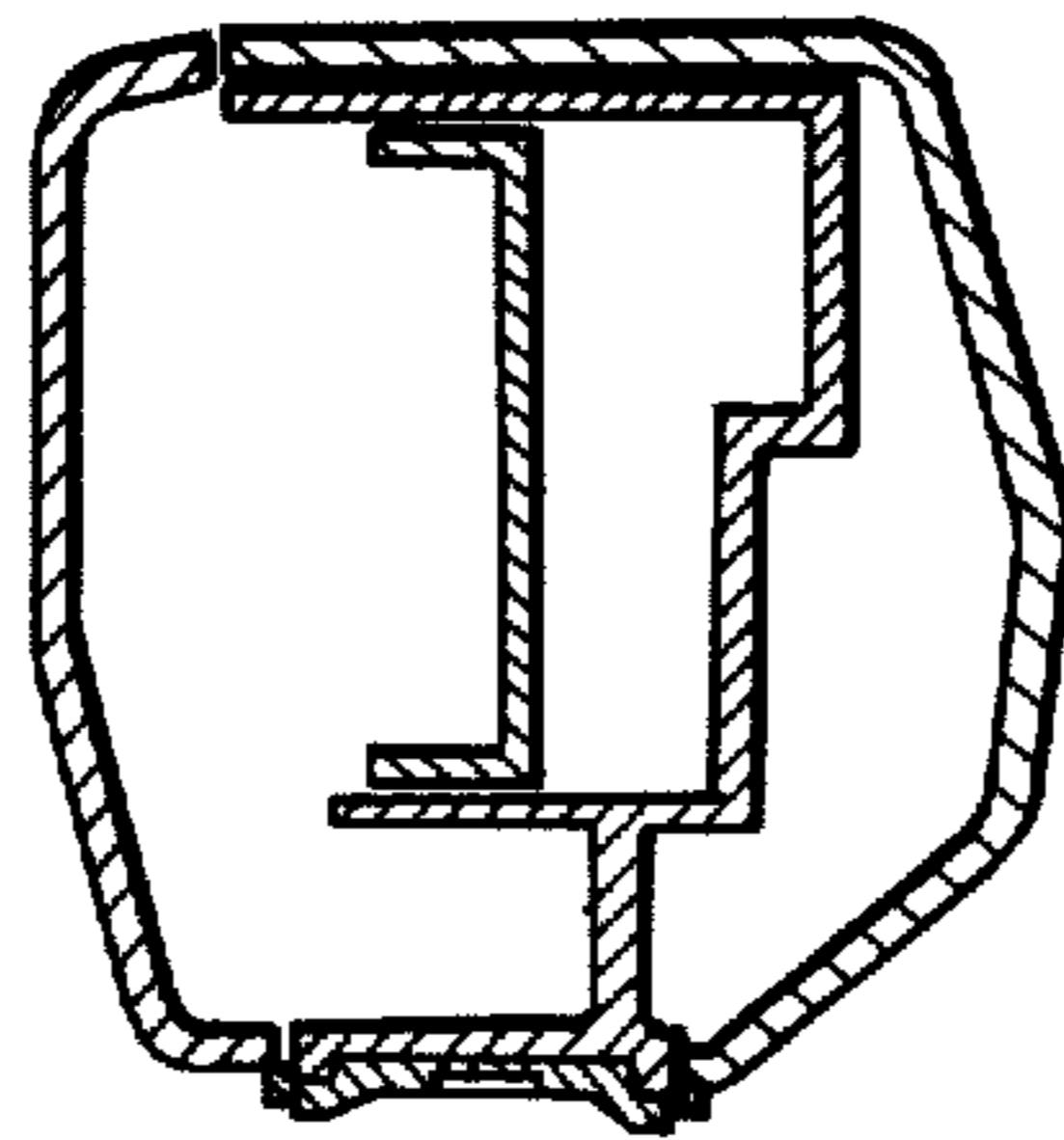


FIG. 3

FIG. 2

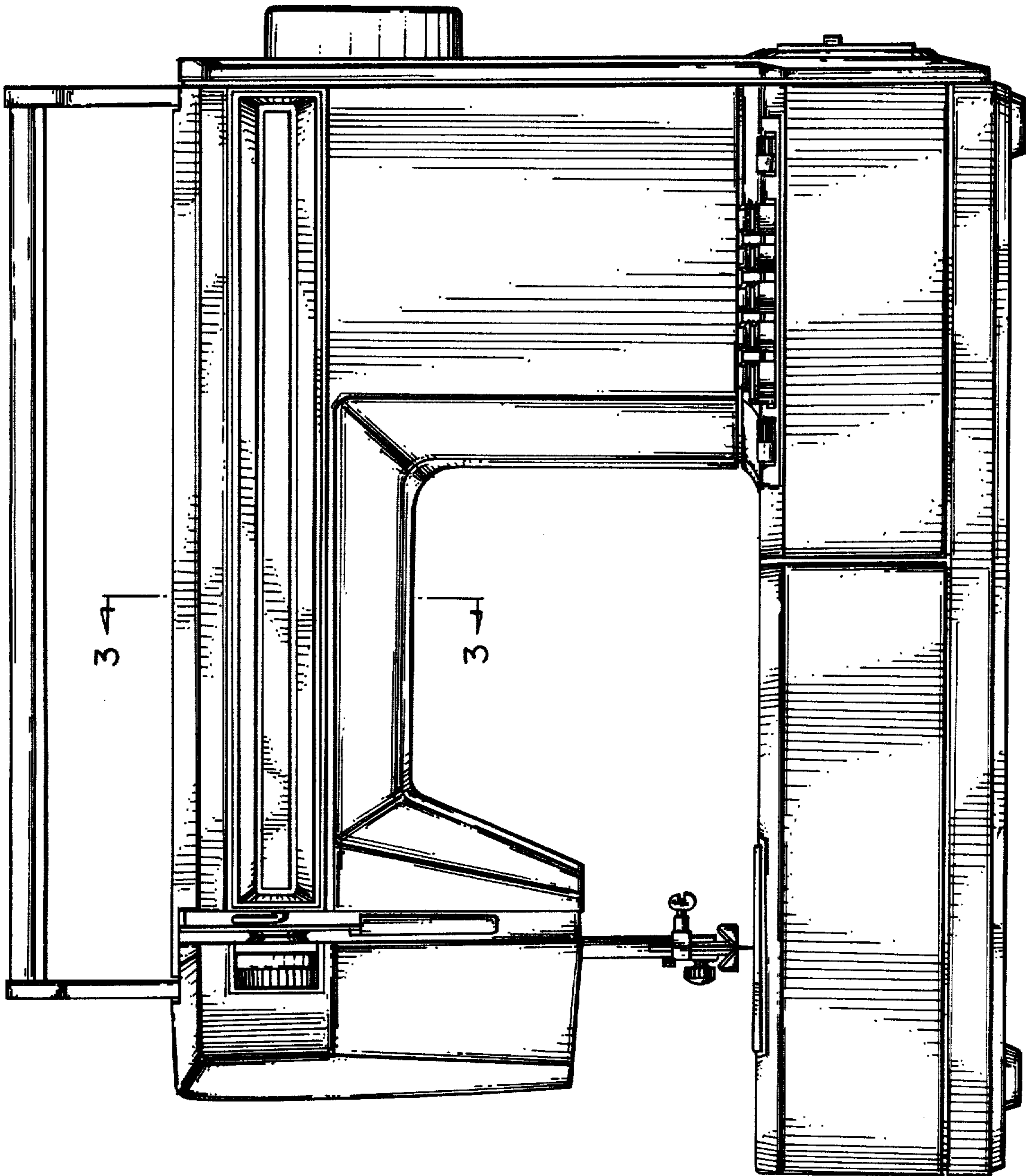


FIG. 4

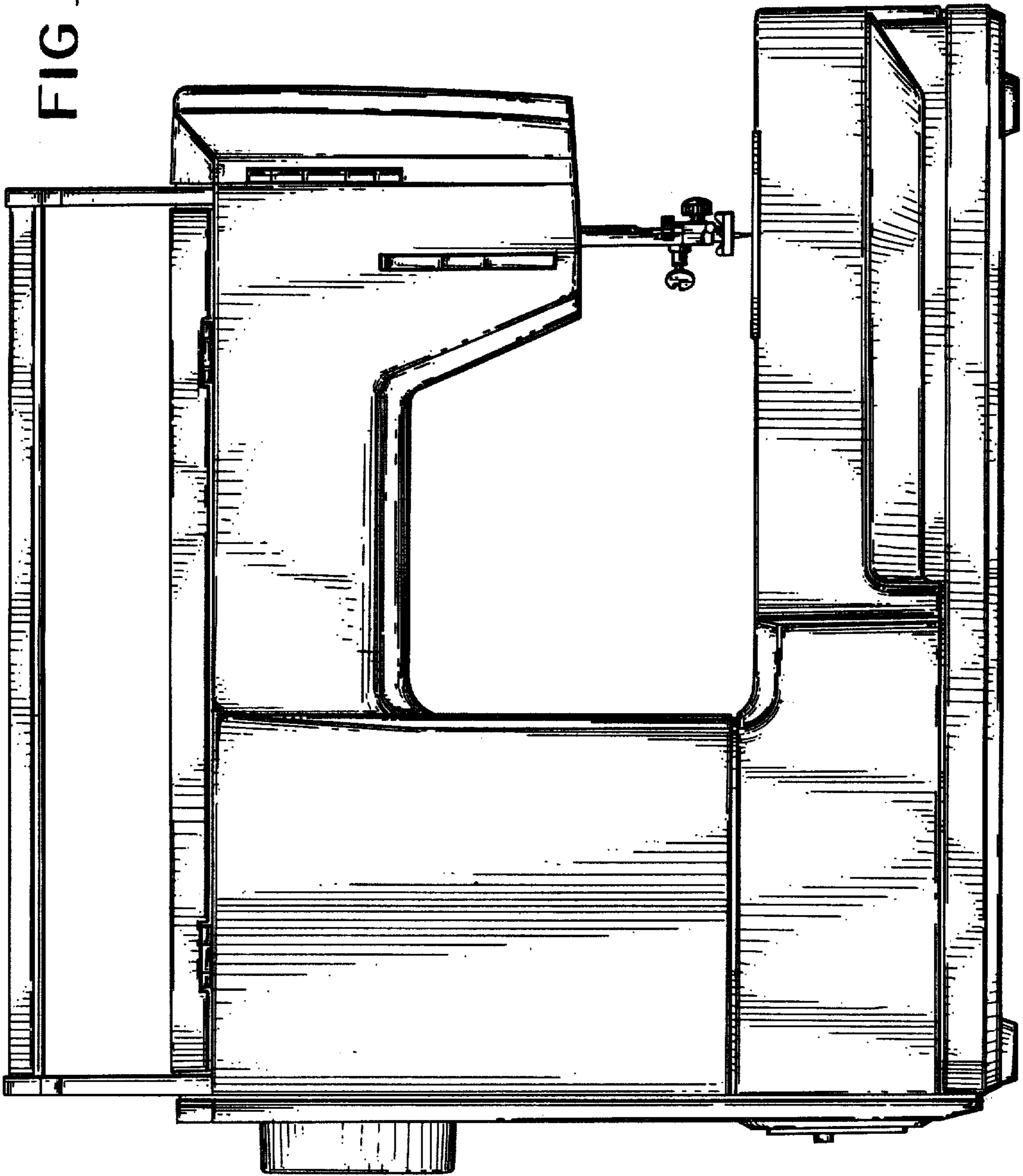


FIG. 6

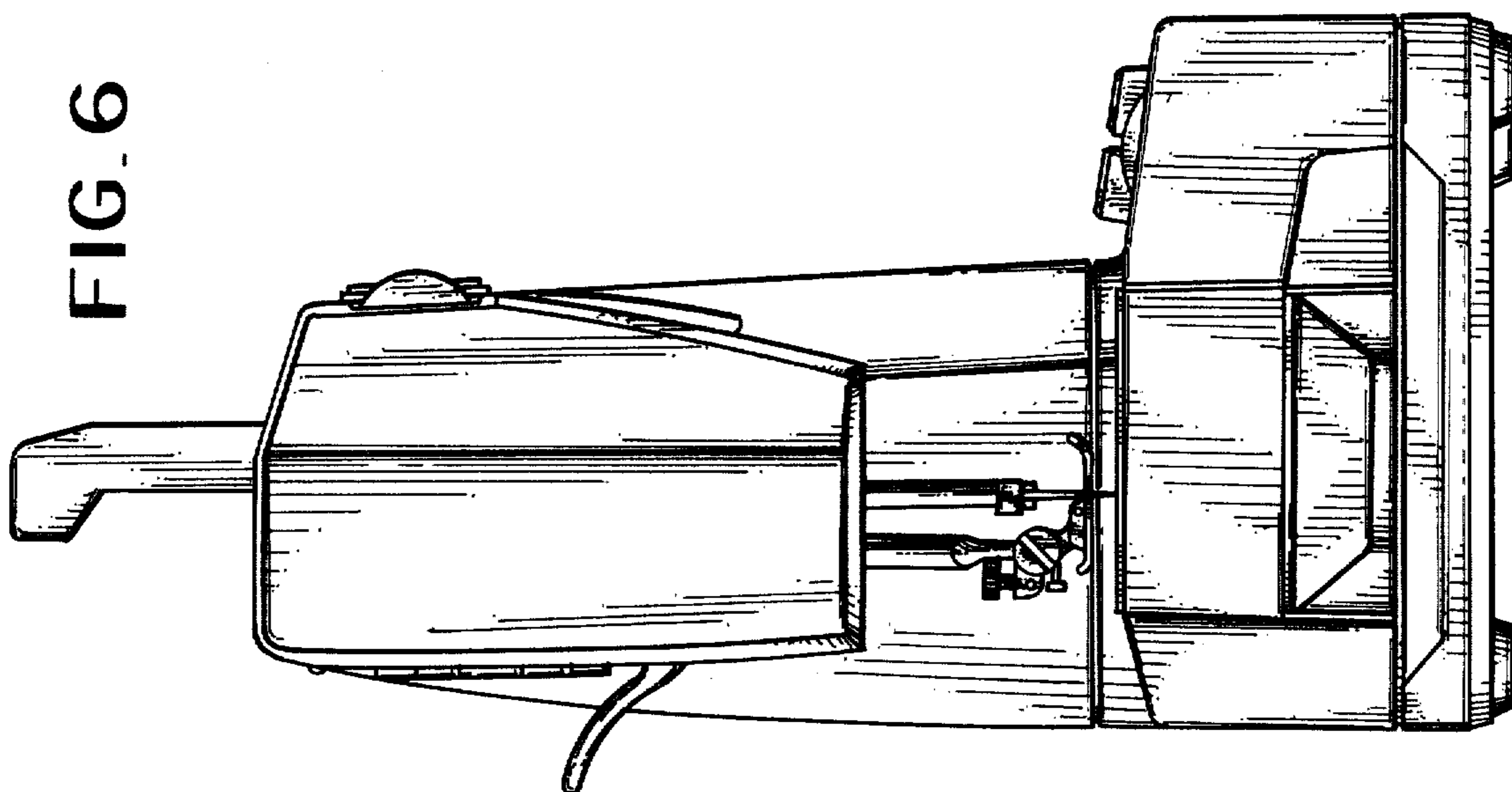


FIG. 5

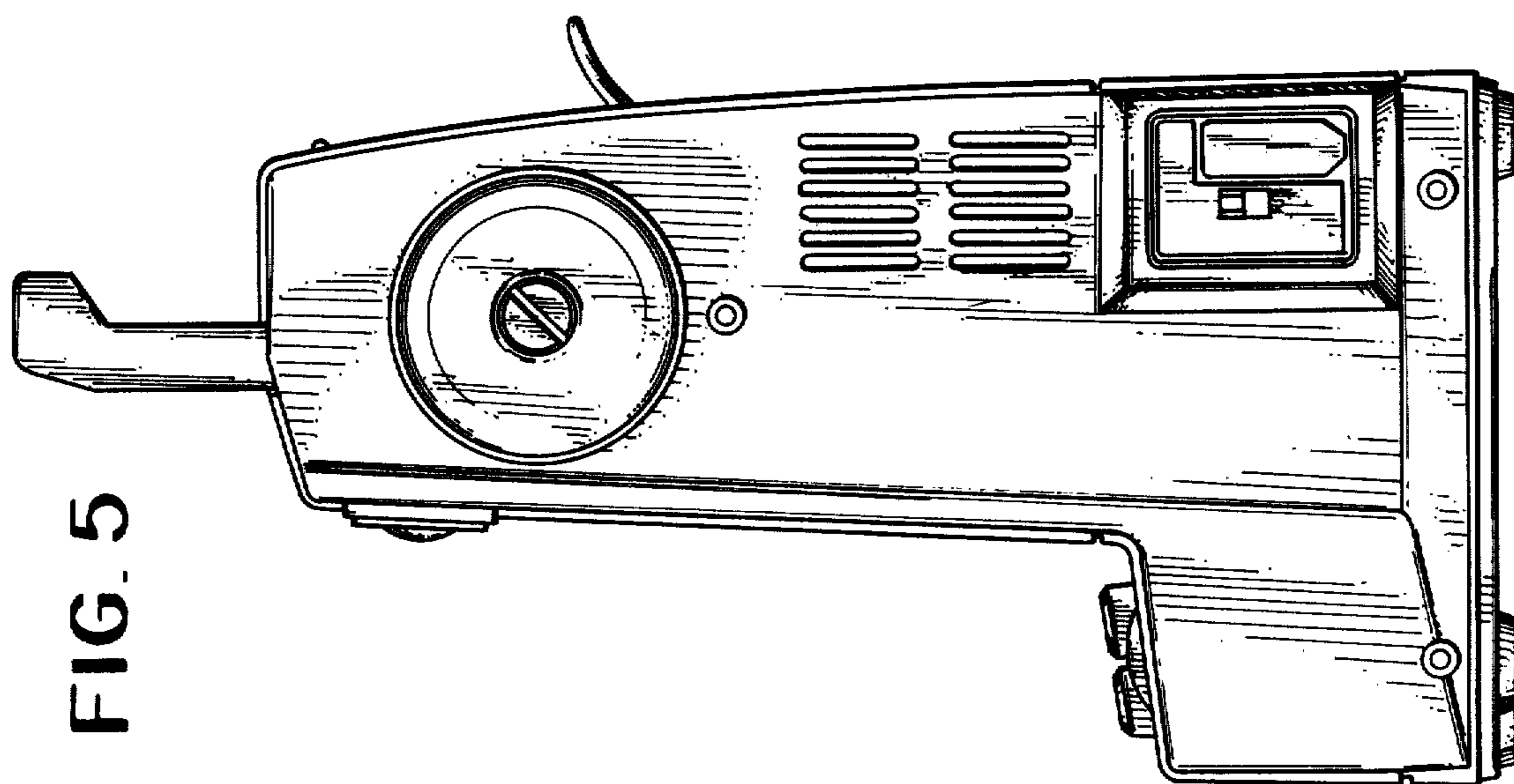


FIG. 7

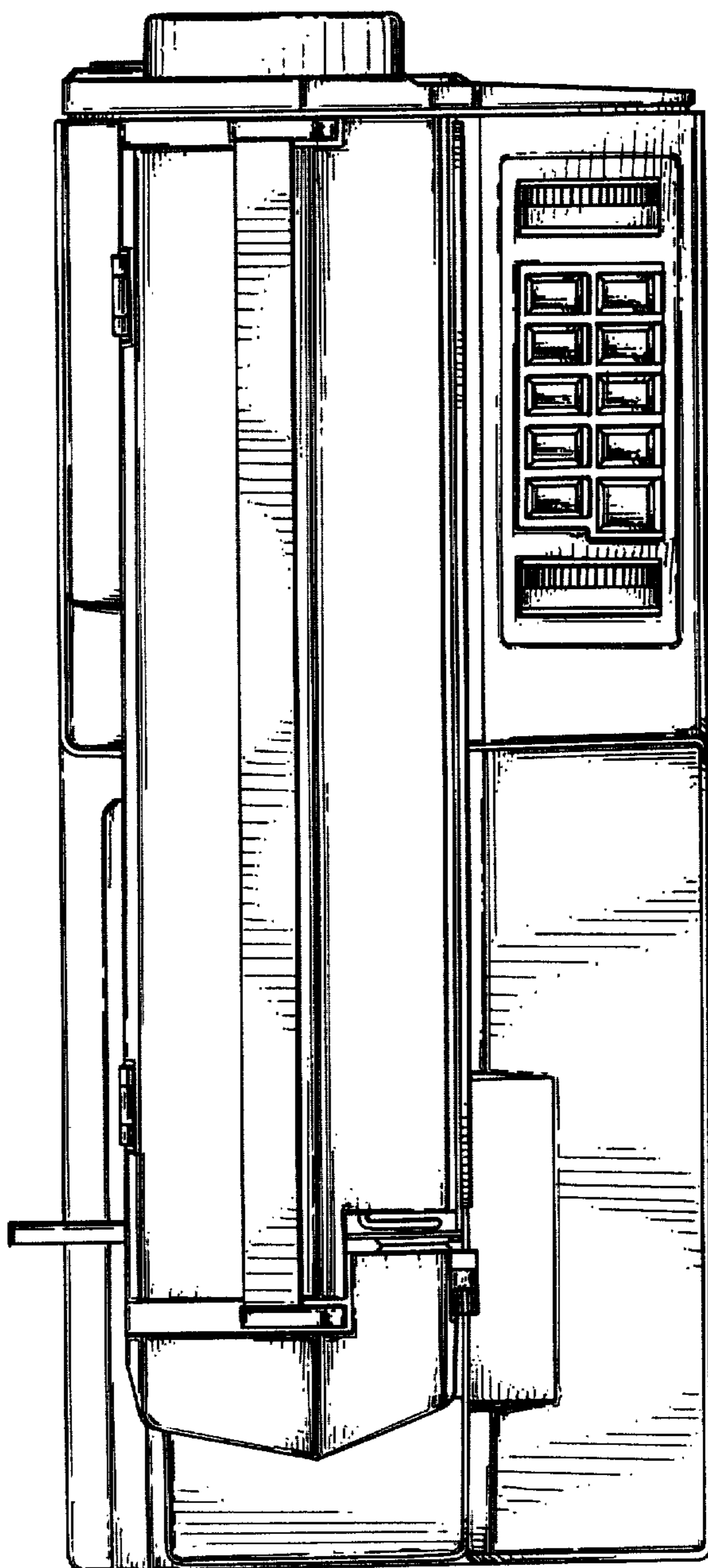


FIG. 8

