

[54] INTAKE MANIFOLD

[75] Inventor: Anthony J. Pappas, Indianapolis, Ind.

[73] Assignee: AJP International, Indianapolis, Ind.

[\*\*] Term: 14 Years

[21] Appl. No.: 161,290

[22] Filed: Jun. 20, 1980

[51] Int. Cl. .... D15-1

[52] U.S. Cl. .... D15/5

[58] Field of Search ..... D15/5; 123/52 M; 261/DIG. 36

[56] References Cited

U.S. PATENT DOCUMENTS

D. 259,116 5/1981 Pappas ..... D15/5

FOREIGN PATENT DOCUMENTS

1277260 10/1961 France ..... 123/52 M  
1174552 12/1969 United Kingdom ..... 123/52 M

Primary Examiner—James M. Gandy  
Attorney, Agent, or Firm—Woodard, Weikart, Emhardt & Naughton

[57] CLAIM

The ornamental design for an intake manifold, as shown and described.

DESCRIPTION

FIG. 1 is a top plan view of an intake manifold showing my new design.

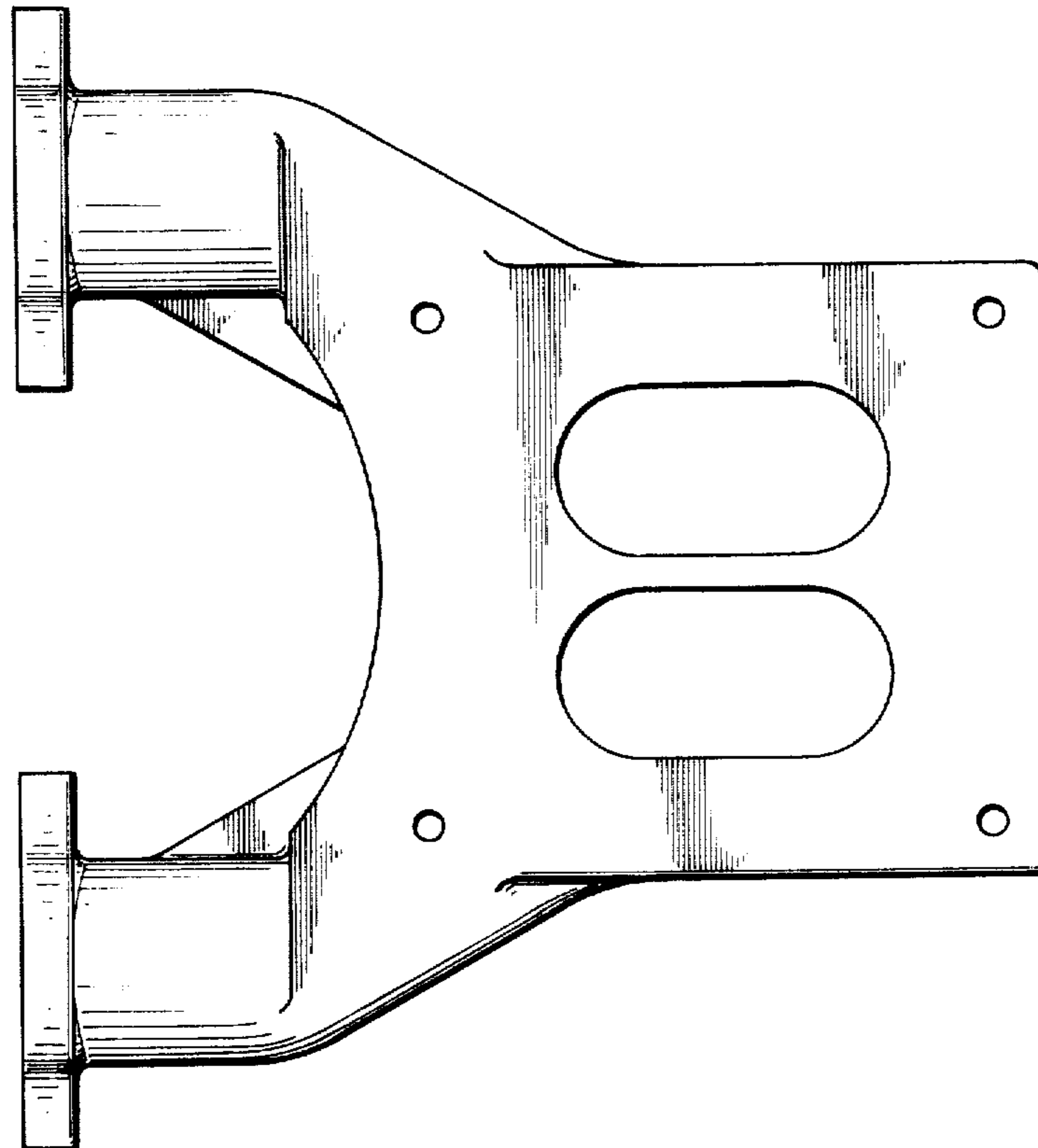
FIG. 2 is a left side elevational view thereof.

FIG. 3 is a rear elevational view thereof.

FIG. 4 is a bottom plan view thereof.

FIG. 5 is a front elevational view thereof.

The appearance of the side opposite that shown in FIG. 2 is a mirror image of that shown in FIG. 2.



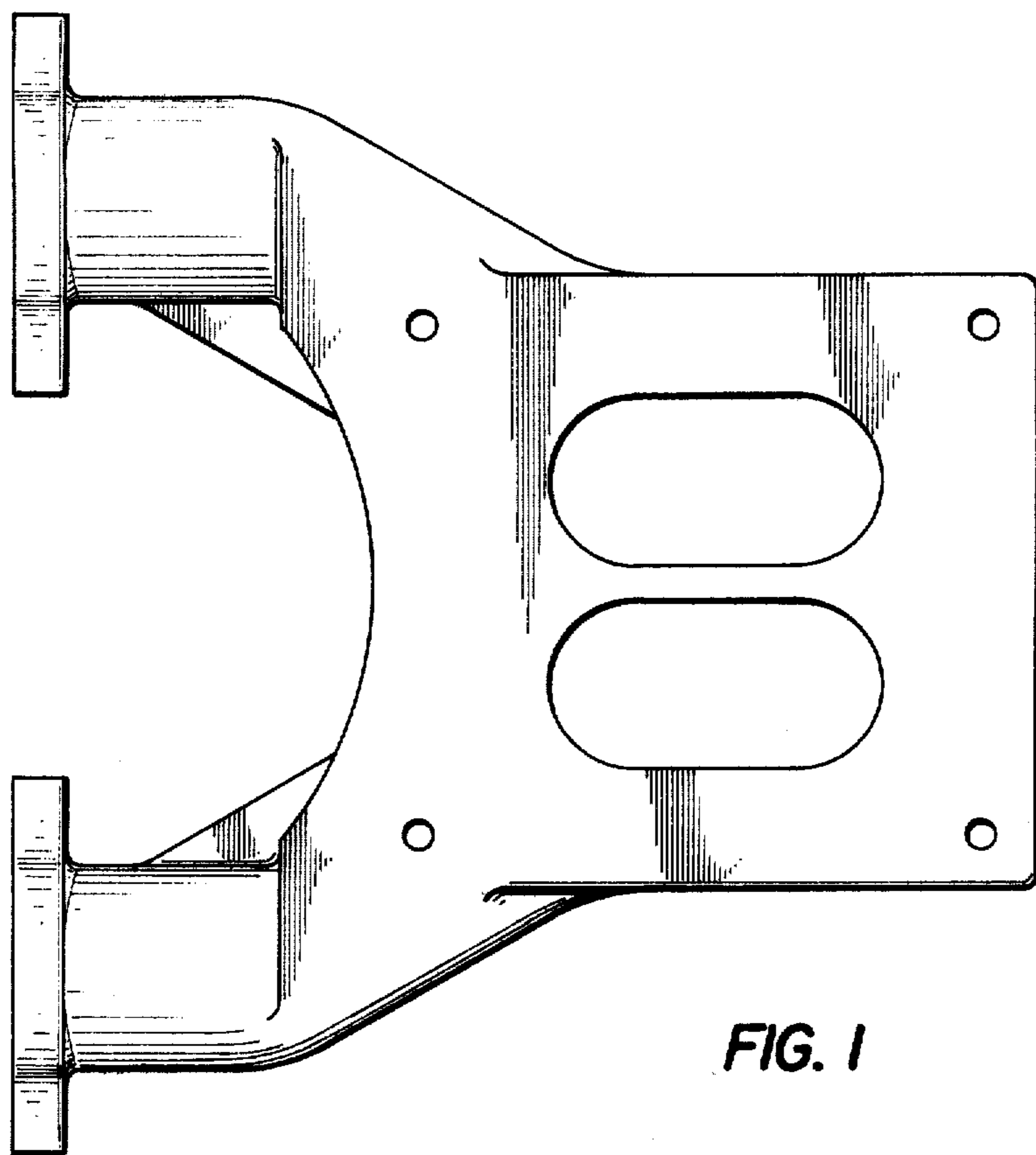


FIG. 1

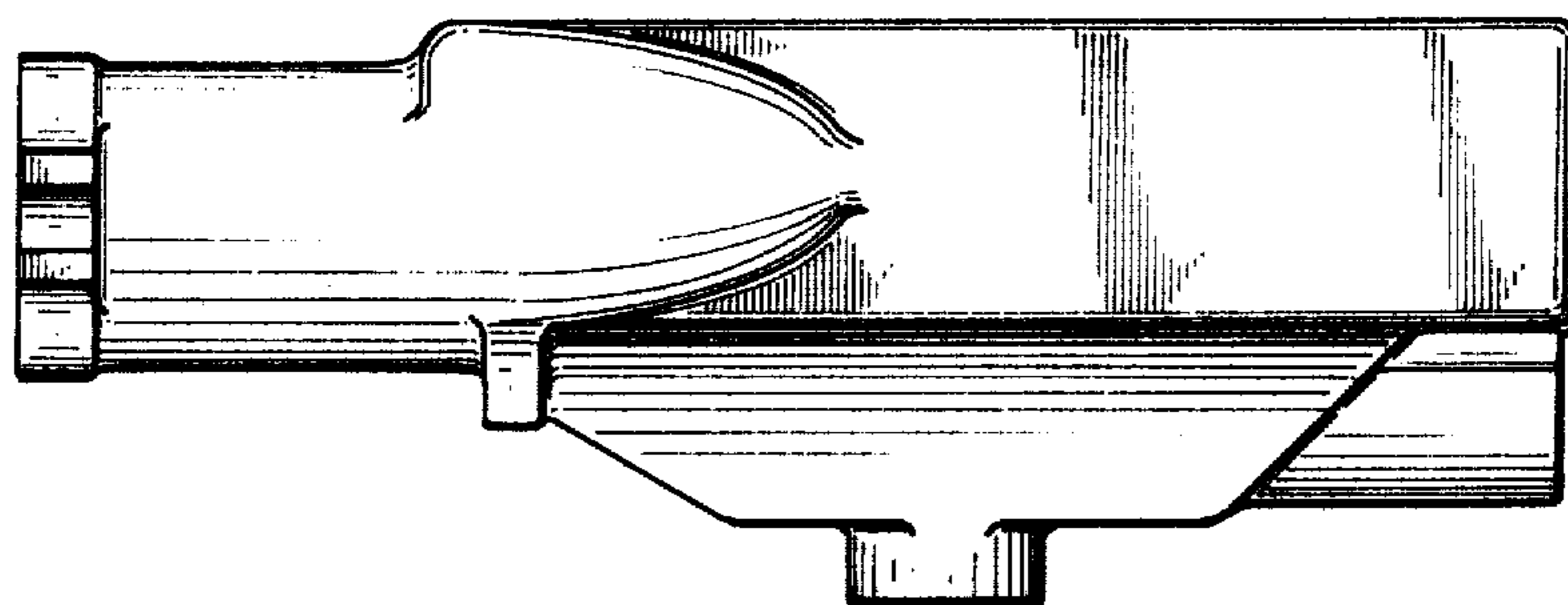


FIG. 2

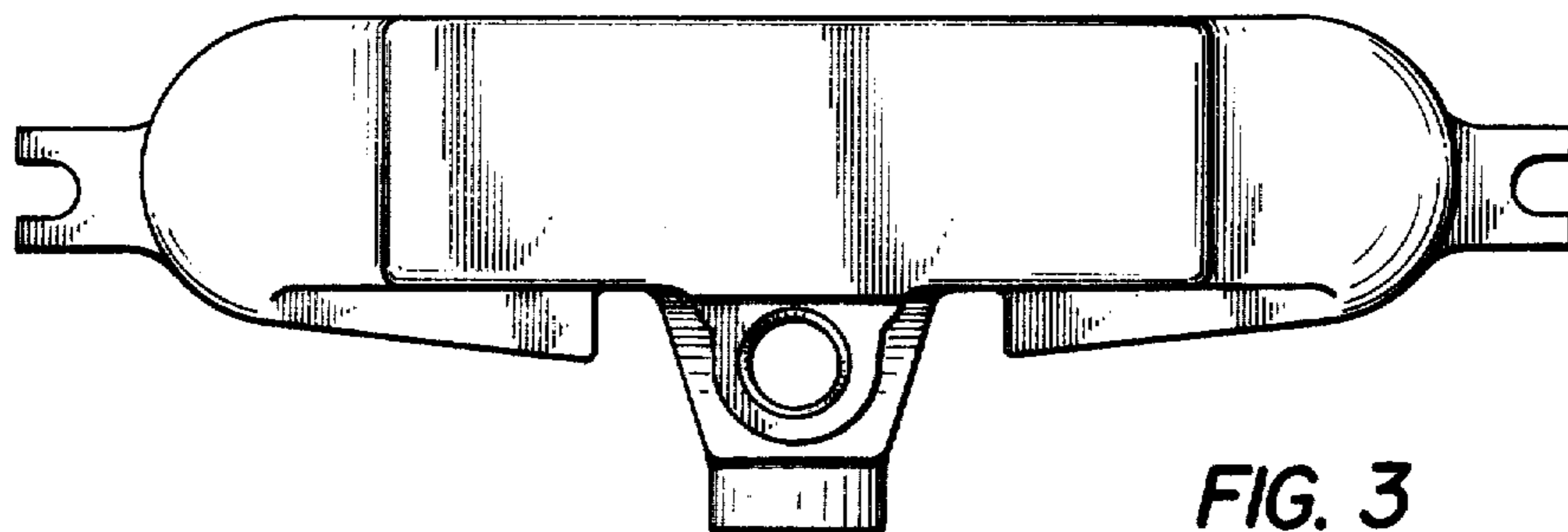


FIG. 3

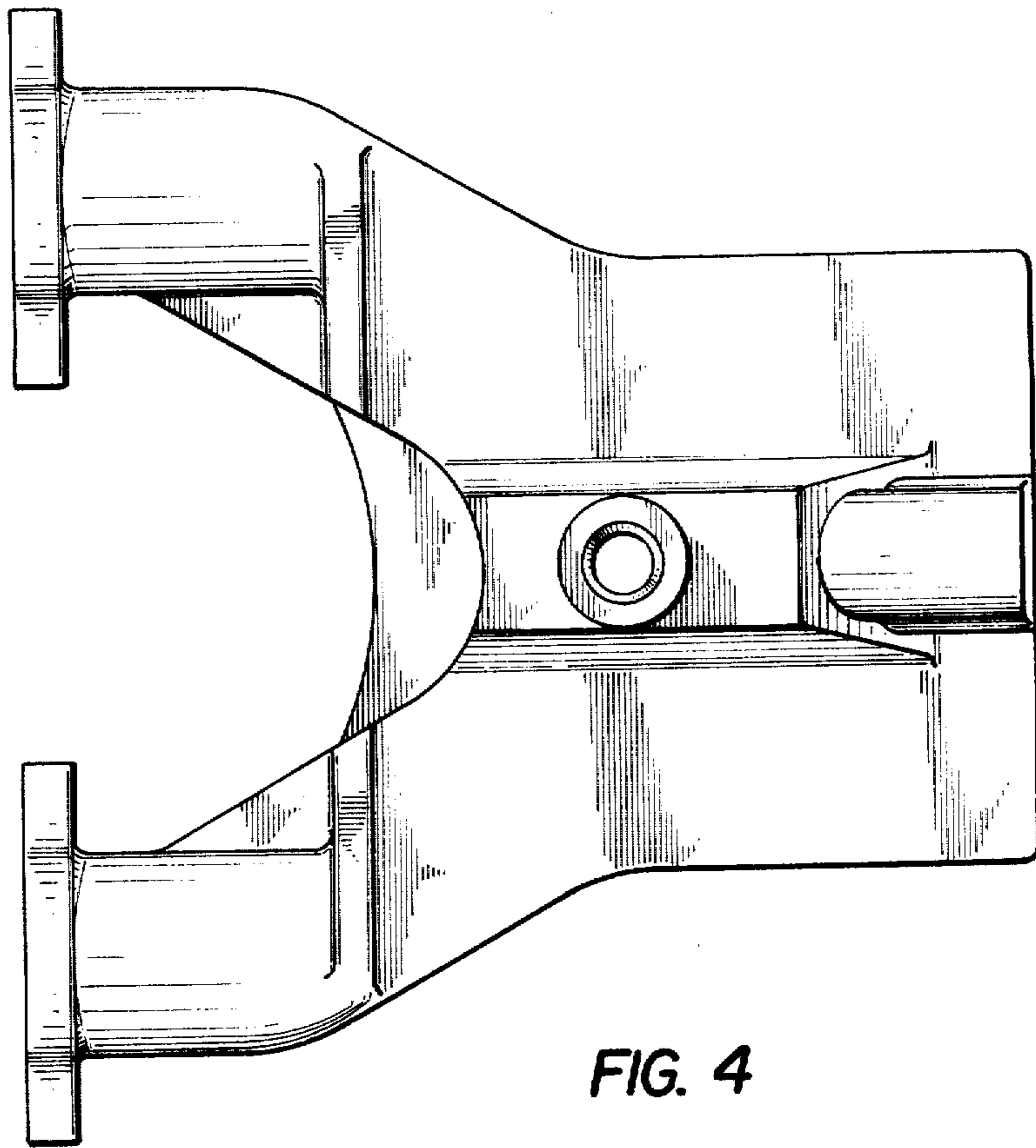


FIG. 4

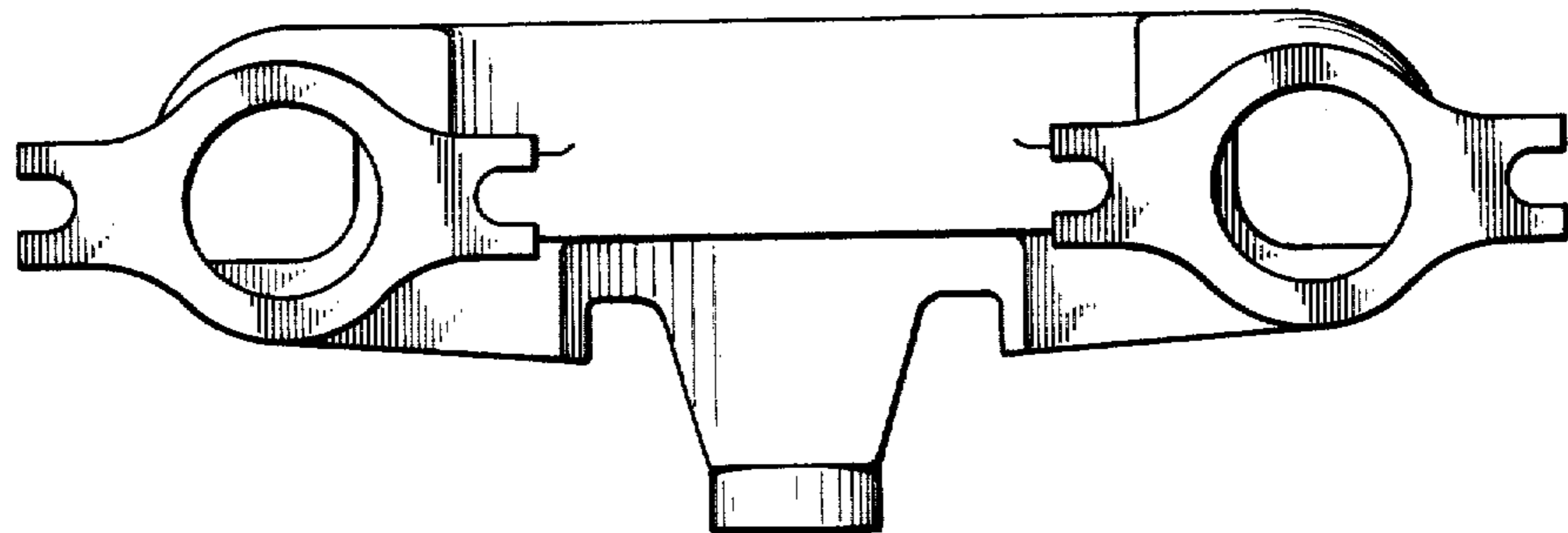


FIG. 5