

- [54] **DIALING PAD**
- [75] Inventors: **Hisao Fukushima; Junji Hirooka,**
both of Tokyo, Japan
- [73] Assignee: **Oki Electric Industry Co., Ltd.,**
Tokyo, Japan
- [**] Term: **14 Years**
- [21] Appl. No.: **93,174**
- [22] Filed: **Nov. 13, 1979**
- [30] **Foreign Application Priority Data**
May 21, 1979 [JP] Japan 54-020289
- [51] Int. Cl. **D14-03**
- [52] U.S. Cl. **D14/66**
- [58] Field of Search **D14/52, 53, 59, 60,**
D14/66; D18/12; 179/90 K, 178, 179

[56] **References Cited**
U.S. PATENT DOCUMENTS

- D. 250,890 1/1979 Stokes 179/178
D. 251,844 5/1979 Kramer D14/53
D. 254,195 2/1980 Genaro et al. D14/53
D. 256,233 8/1980 Fukushima et al. D14/56

- D. 256,235 8/1980 Fukushima et al. D14/56
4,164,630 8/1979 Brodbeck 179/90 B

FOREIGN PATENT DOCUMENTS

- 2809214 9/1978 Fed. Rep. of Germany ... 179/90 K

Primary Examiner—T. Tung
Attorney, Agent, or Firm—Berger & Palmer

[57] **CLAIM**

The ornamental design for a dialing pad, as shown and described.

DESCRIPTION

FIG. 1 is a front view illustrating a dialing pad according to our new design;
FIG. 2 is a back view thereof;
FIG. 3 is a side elevational view from the left thereof;
FIG. 4 is a side elevational view from the right thereof;
FIG. 5 is a top plan view thereof;
FIG. 6 is a bottom view thereof;
FIG. 7 is a perspective view thereof;
FIG. 8 is a reduced top perspective view of a dialing pad mounted on an automobile dashboard, and in this position the plug attached to the cable is hidden from view. The broken lines are shown for illustrative purposes only.

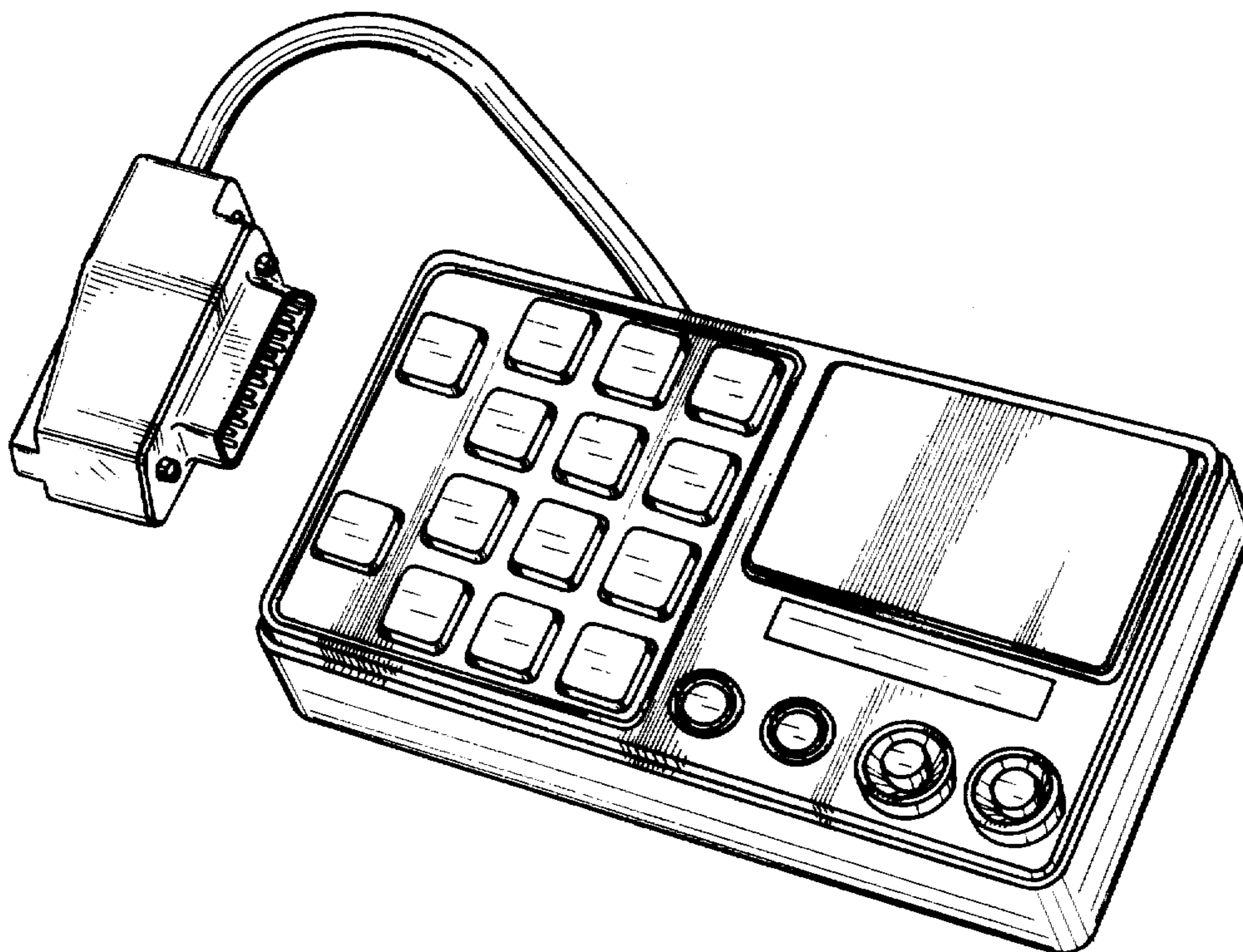


FIG. 1

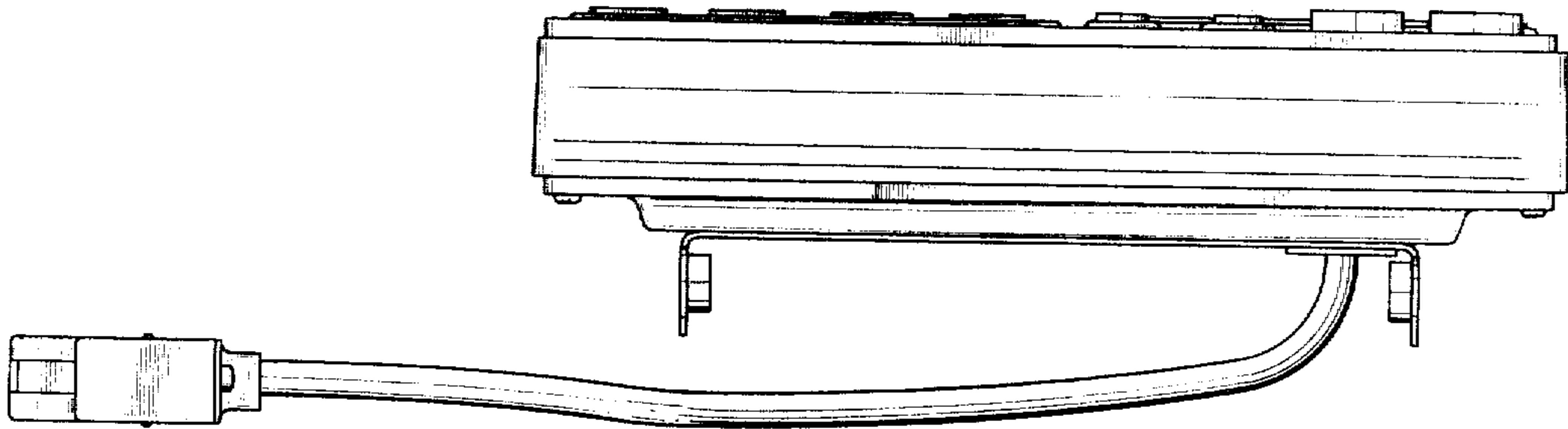


FIG. 2

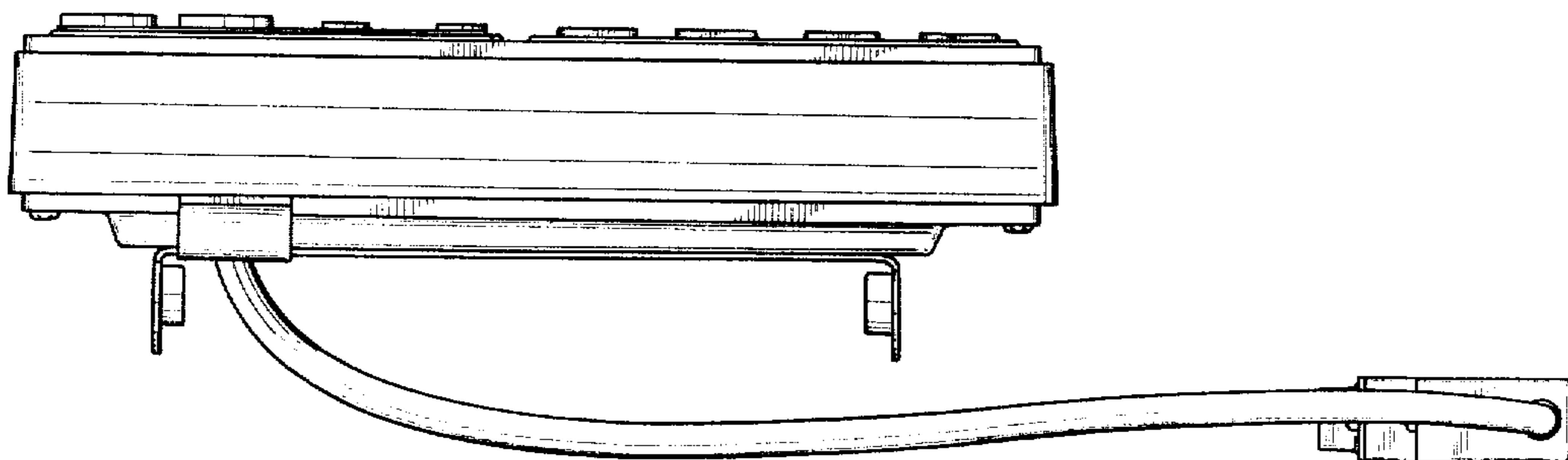


FIG. 3

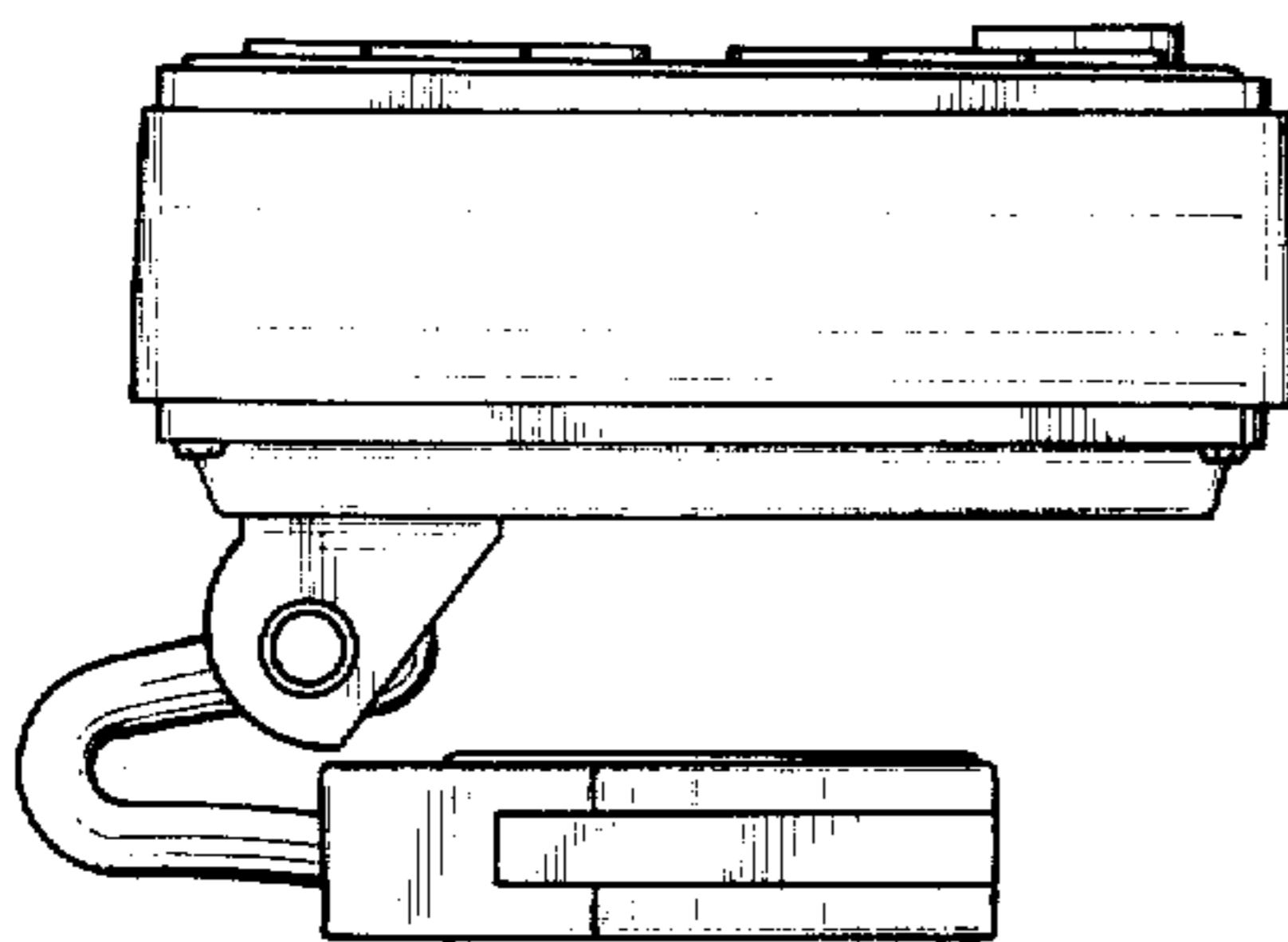


FIG. 4

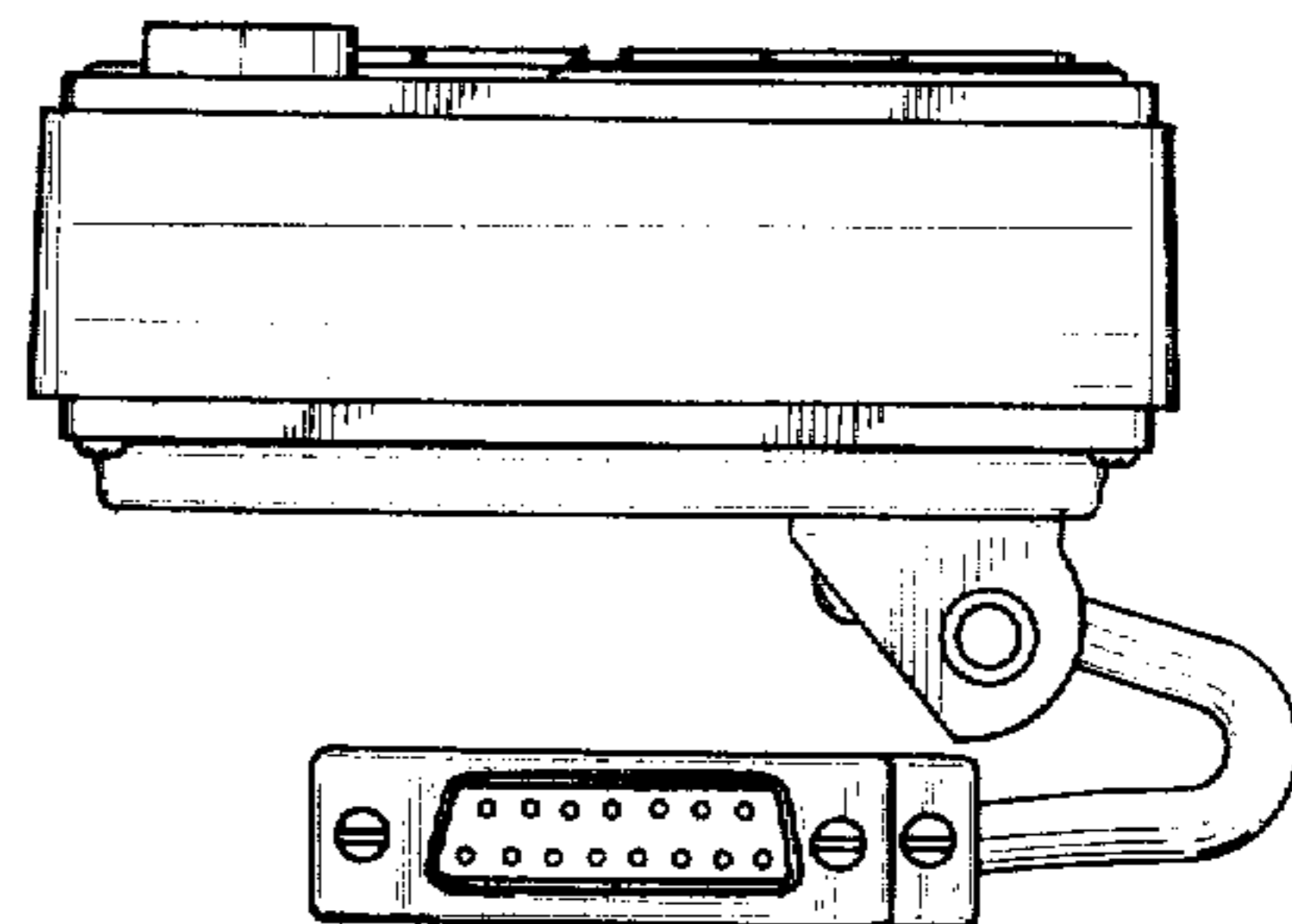


FIG. 5

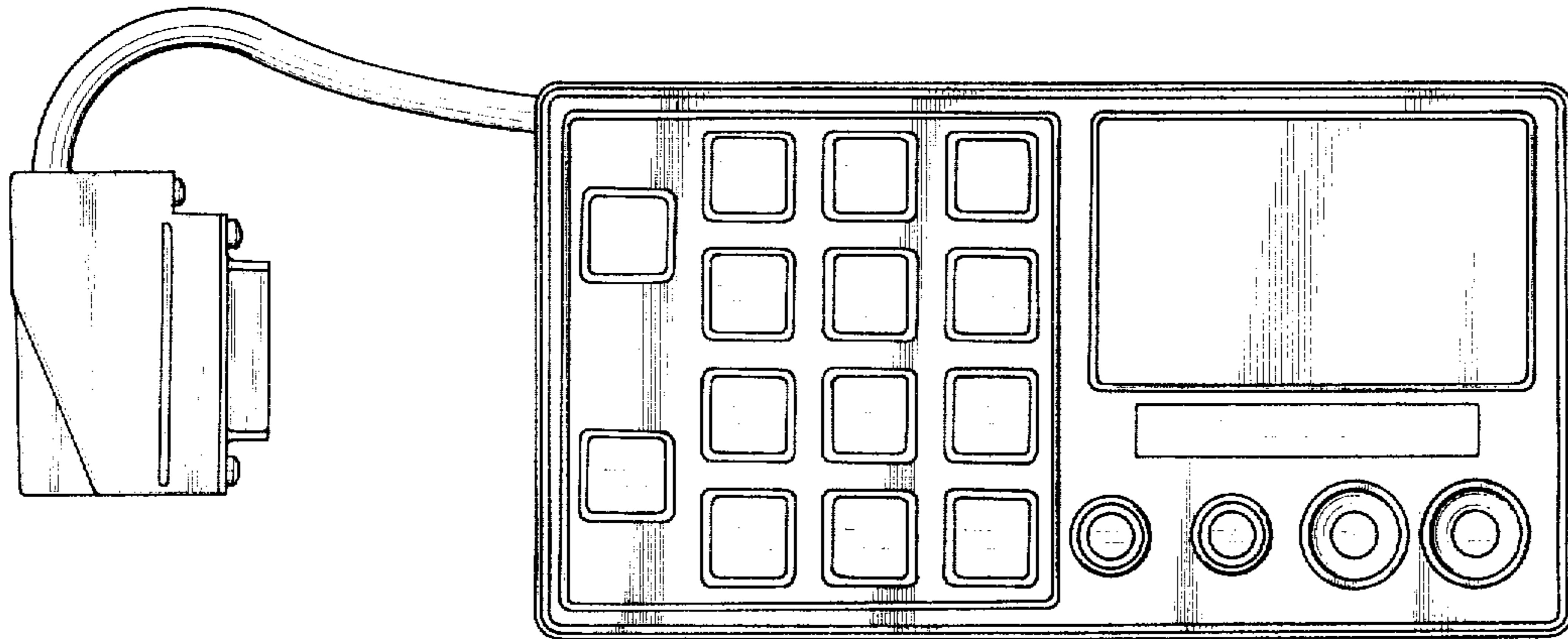


FIG. 6

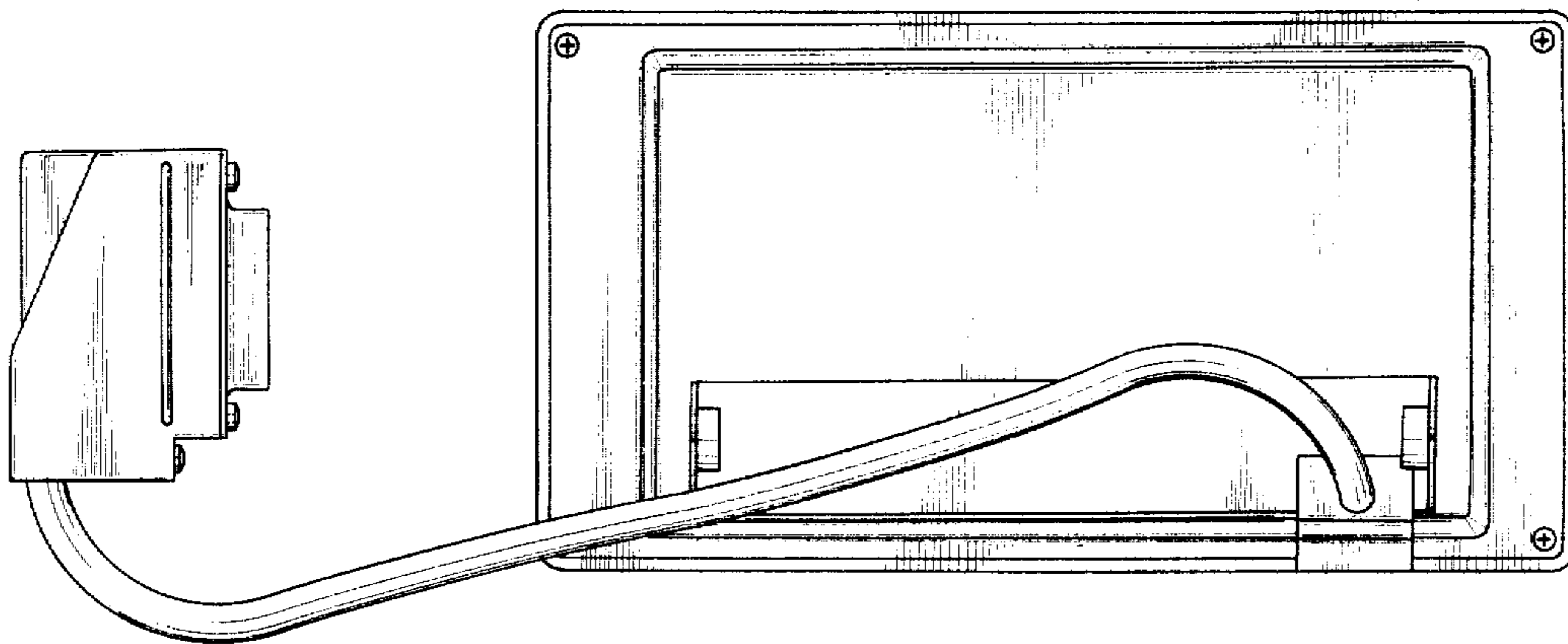


FIG. 7

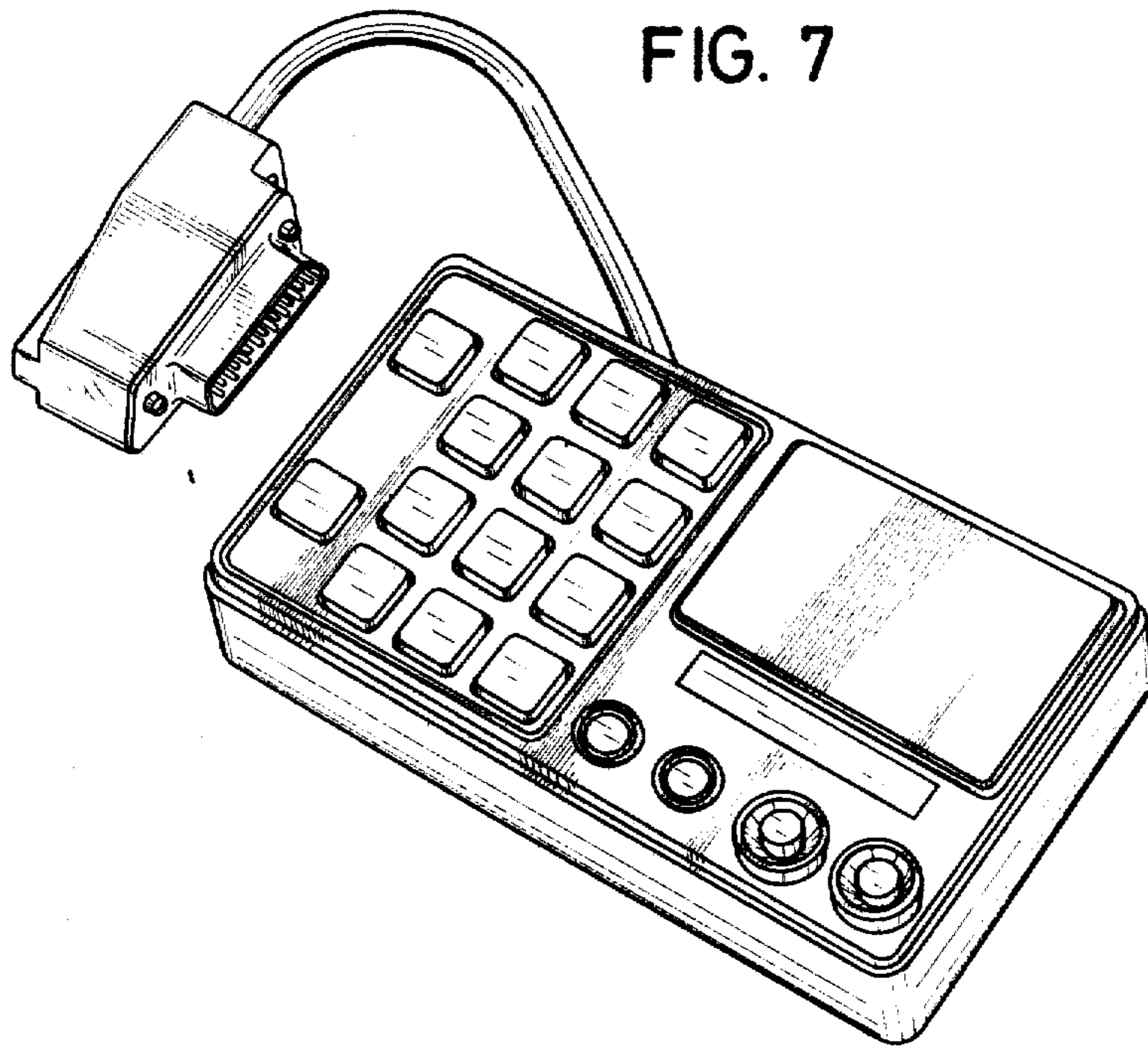


FIG. 8

