

[54] **CARRYING ARM**

[75] **Inventors:** Lennart Emgard; Christer Löfqvist,
both of Helsingborg, Sweden

[73] **Assignee:** Frigoscandia Contracting AB,
Sweden

[**] **Term:** 14 Years

[21] **Appl. No.:** 160,712

[22] **Filed:** Jun. 18, 1980

[30] **Foreign Application Priority Data**

Dec. 21, 1979 [SE] Sweden 79-2805

[51] **Int. Cl.** D8-08

[52] **U.S. Cl.** D8/363; D8/373

[58] **Field of Search** 248/220.4, 223.4, 223.3;
D8/363, 354, 373, 367, 372, 376

[56] **References Cited**

U.S. PATENT DOCUMENTS

D. 237,142 10/1975 Barnes D8/363
3,124,253 3/1964 Petrich 211/94
3,540,687 10/1969 Cuva 248/223.4 X

FOREIGN PATENT DOCUMENTS

2042122 2/1972 Fed. Rep. of Germany ... 248/223.4
1446448 6/1966 France 248/223.3

Primary Examiner—A. Hugo Word
Attorney, Agent, or Firm—Karl W. Flocks

[57] **CLAIM**

The ornamental design for a carrying arm, as shown.

DESCRIPTION

FIG. 1 is a view in perspective of the carrying arm taken from above and slightly to one side; and FIG. 2 is a perspective view similar to FIG. 1 of the carrying arm, but taken from below and slightly to one side.

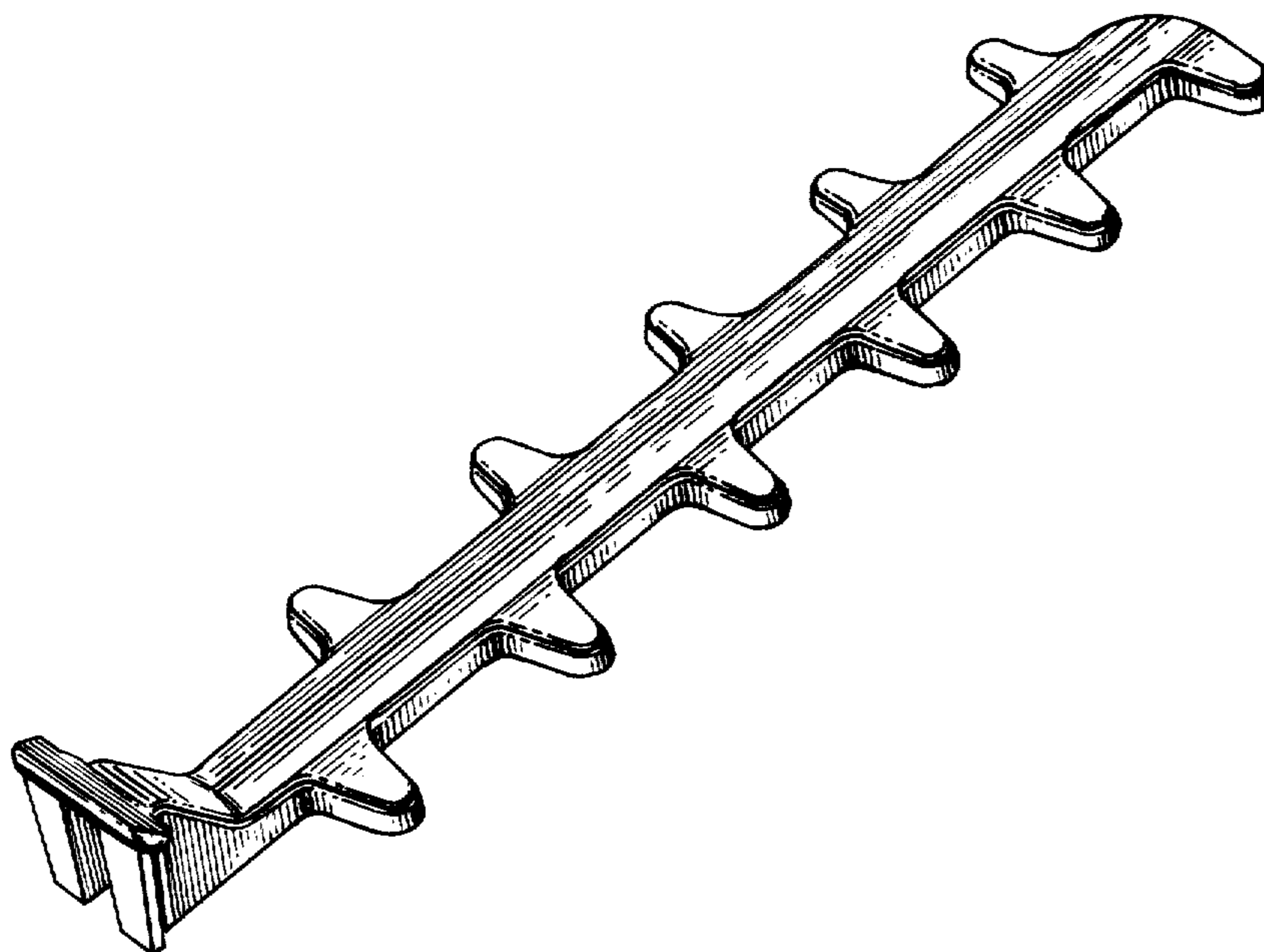


FIG. 1.

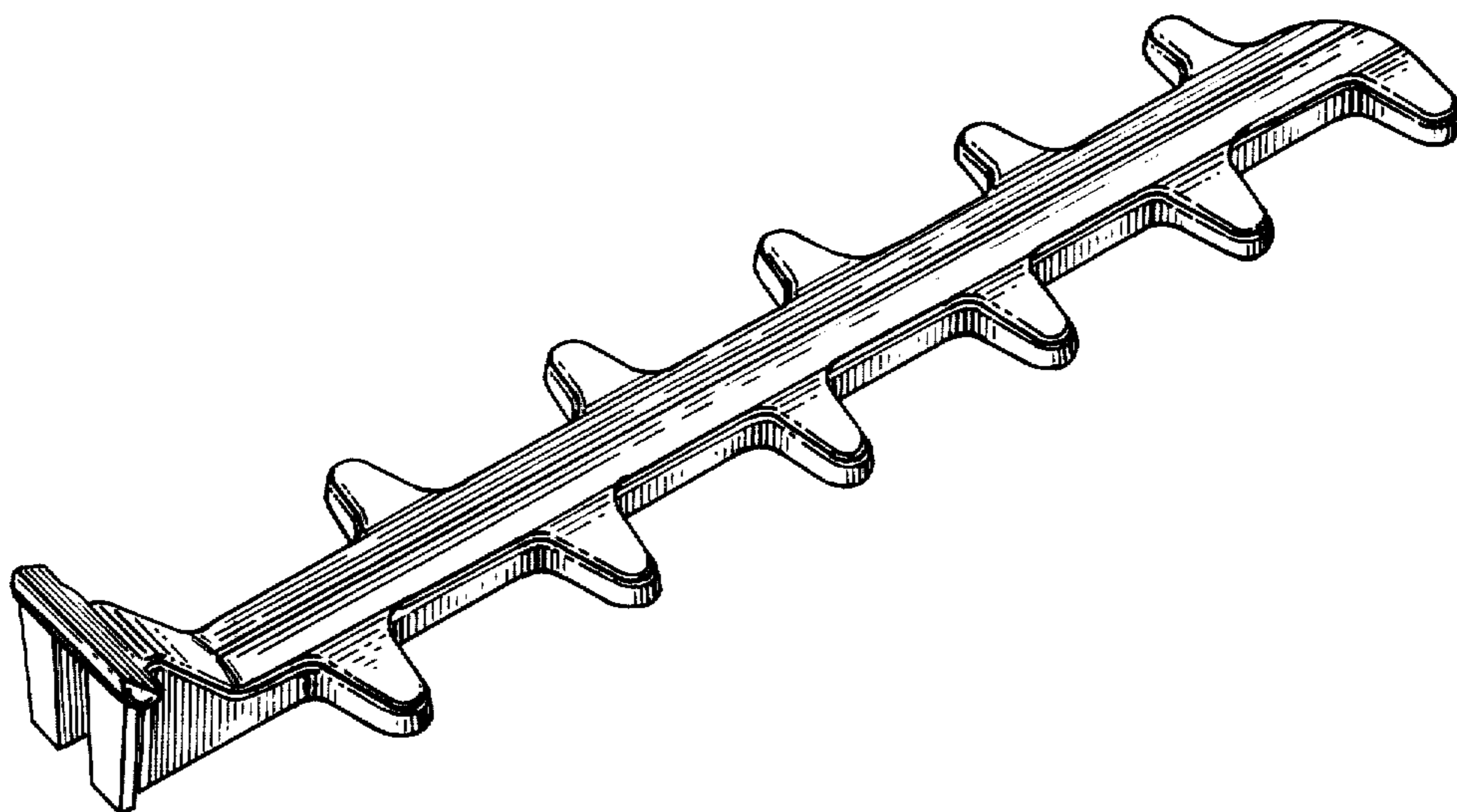


FIG. 2.

