

[54] **LOG LIFTER**

[75] **Inventor:** David J. Weisgerber, Gresham, Oreg.

[73] **Assignee:** Omark Industries, Inc., Portland, Oreg.

[**] **Term:** 14 Years

[21] **Appl. No.:** 174,902

[22] **Filed:** Aug. 4, 1980

[51] **Int. Cl.** D7-08

[52] **U.S. Cl.** D7/210

[58] **Field of Search** D7/206, 209, 210;
294/9-14, 17, 19 R

[56]

References Cited

U.S. PATENT DOCUMENTS

D. 258,487 3/1981 Brugger et al. D7/210
3,940,171 2/1976 Carlsson 294/19 R X
4,087,077 5/1978 Vance 294/17 X

Primary Examiner—Catherine E. Kemper
Attorney, Agent, or Firm—Klarquist, Sparkman,
Campbell, Leigh, Winston & Dellett

[57]

CLAIM

The ornamental design for a log lifter, as shown and described.

DESCRIPTION

FIG. 1 is a perspective view of a log lifter, showing my new design;

FIG. 2 is a side elevational view thereof;

FIG. 3 is a top plan view thereof;

FIG. 4 is a bottom plan view thereof;

FIG. 5 is a left end elevational view thereof;

FIG. 6 is a right end elevational view thereof.

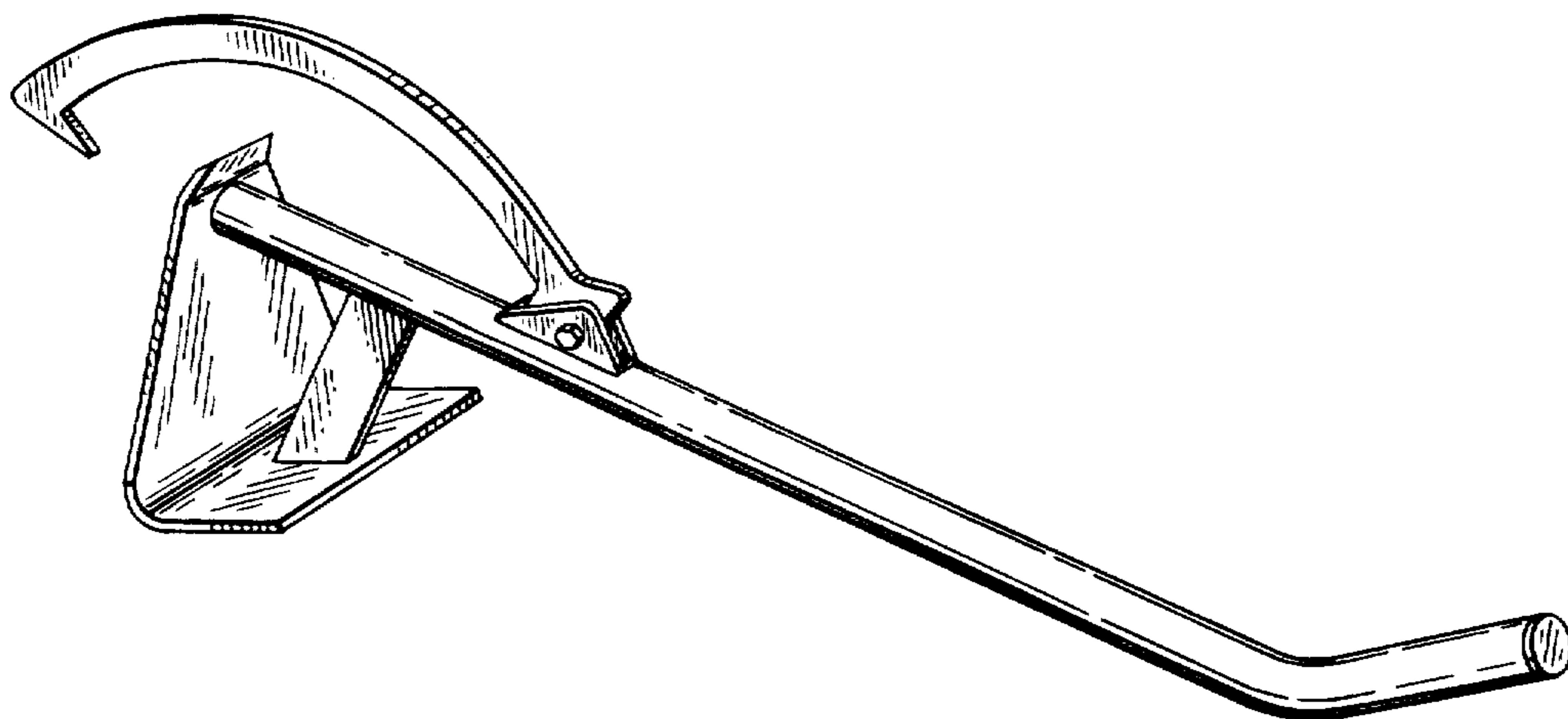


FIG. 1

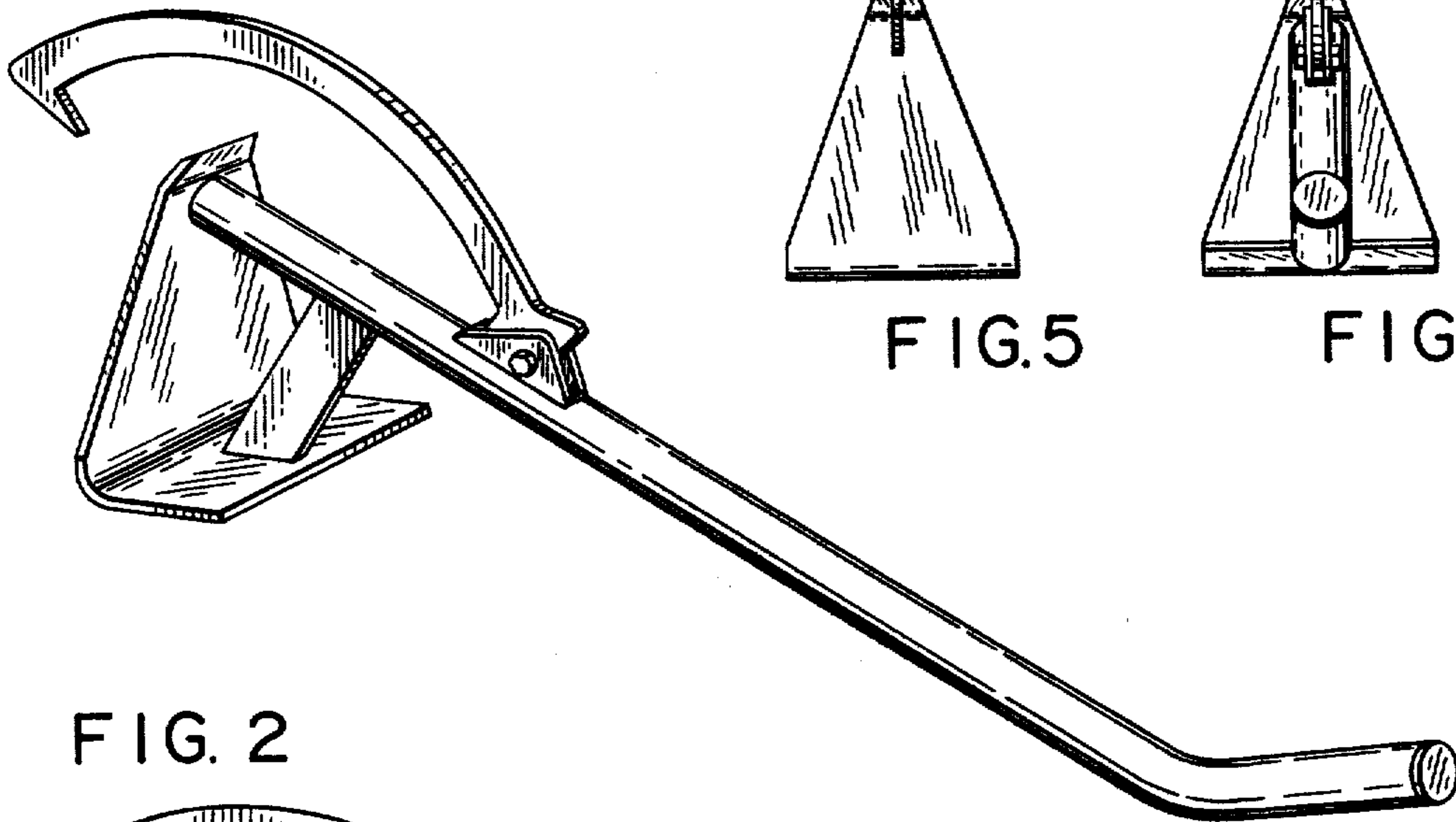


FIG. 5

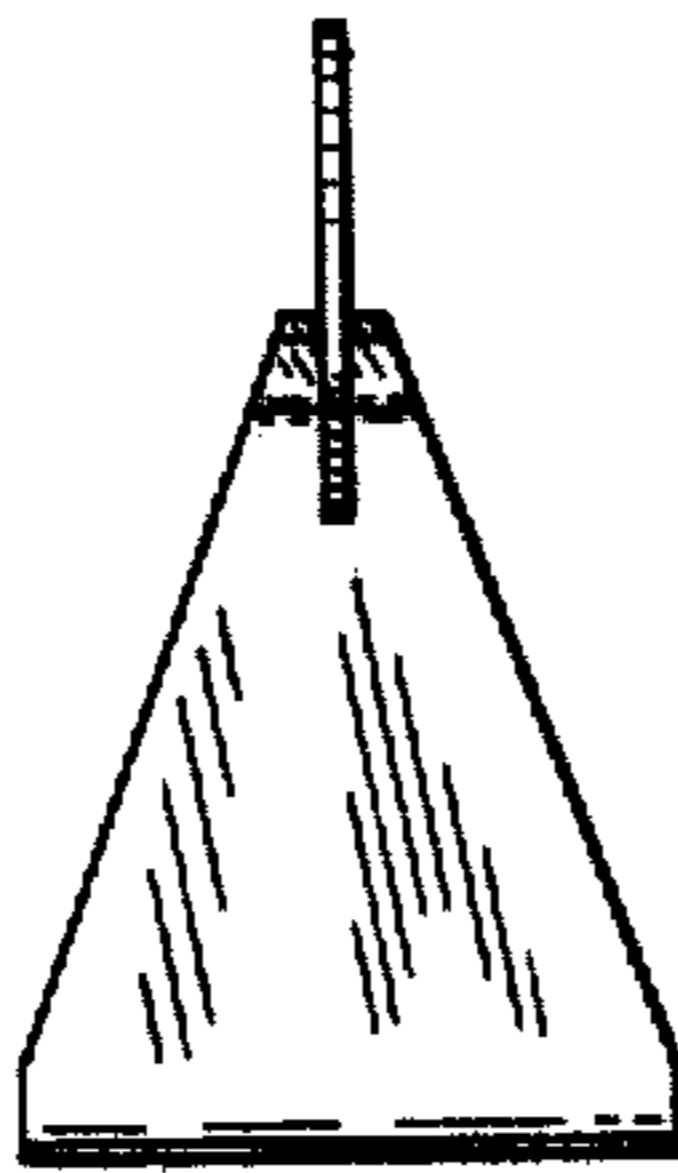


FIG. 6

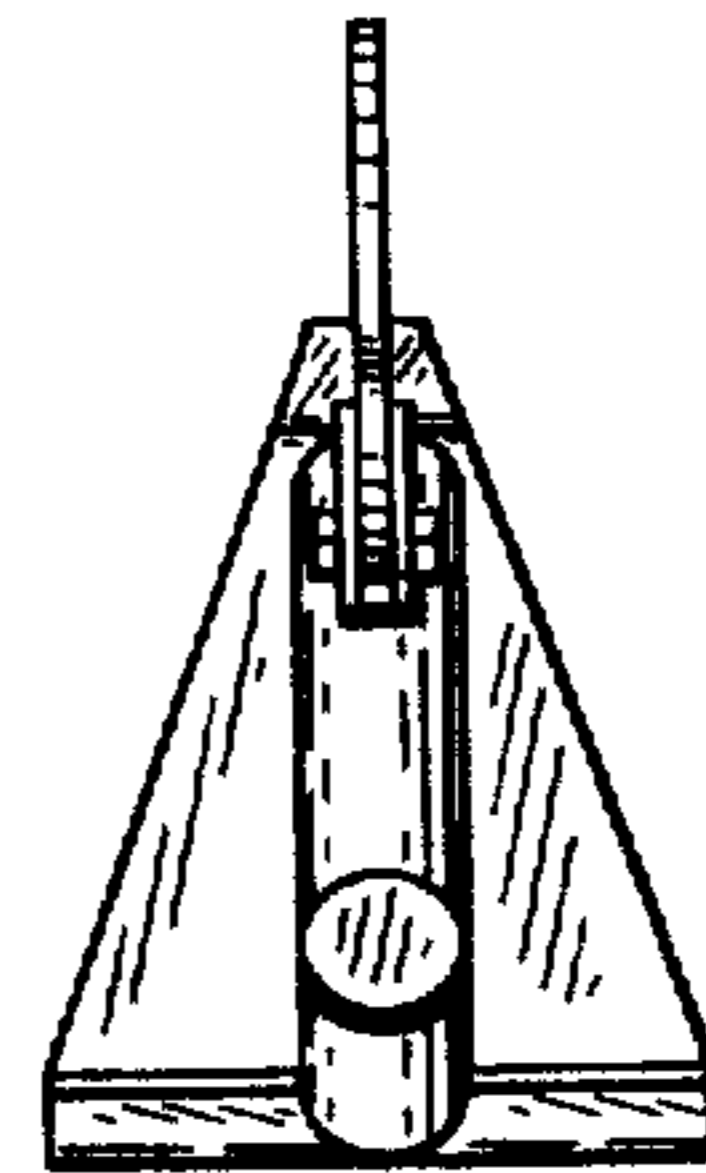


FIG. 2

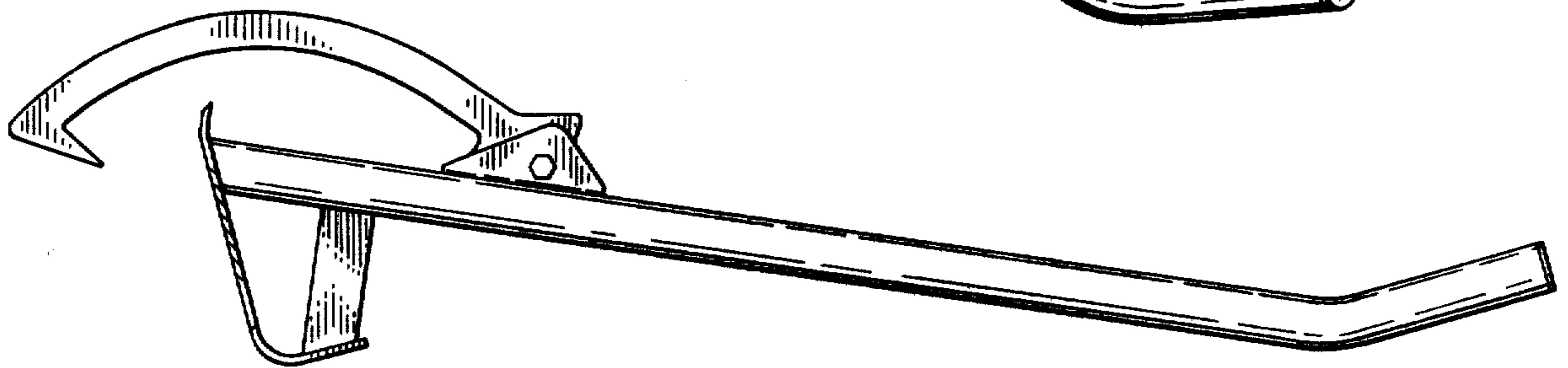


FIG. 3

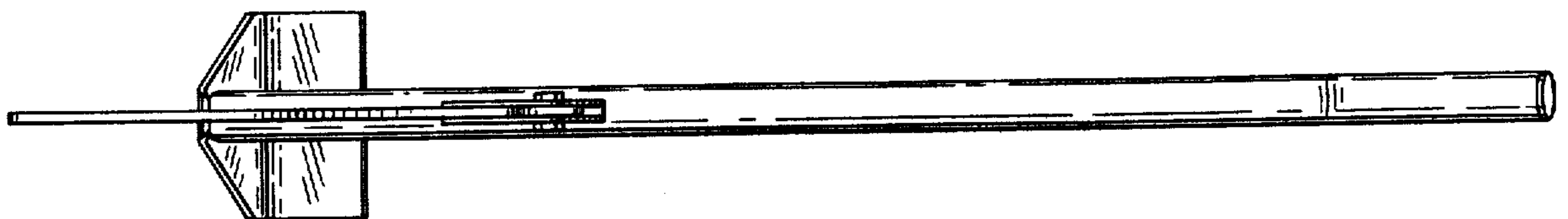


FIG. 4

