

- [54] **KITCHEN APPLIANCE FOR MAKING FARINACEOUS PRODUCTS**
- [75] Inventors: **Harold Osrow, Dix Hills; Armando A. Araujo, Jr., Freeport; Gordon R. Perry, New York, all of N.Y.**
- [73] Assignee: **Osrow Products Corporation, Old Bethpage, N.Y.**
- [\*\*] Term: **14 Years**
- [21] Appl. No.: **184,350**
- [22] Filed: **Sep. 5, 1980**
- [51] Int. Cl. .... **D07—04; D15—08**
- [52] U.S. Cl. .... **D7/153; D7/158; D15/98**
- [58] Field of Search ..... **D7/153, 155, 156, 157, D7/158, 159, 160, 41; D15/92, 98, 99; 425/205**

[56] **References Cited**  
**U.S. PATENT DOCUMENTS**

D. 109,615	5/1938	Lauterbur	.....	D15/98
D. 123,517	11/1940	Wenger	.....	D15/98 X
D. 190,710	6/1961	Jocius	.....	D7/155
D. 214,210	5/1969	Friedrichs	.....	D15/98
4,219,318	8/1980	Cavalli	.....	425/205 X
4,269,582	5/1981	Mella	.....	425/205 X

**FOREIGN PATENT DOCUMENTS**

1214728 4/1960 France ..... 425/205 X

**OTHER PUBLICATIONS**

*HFD-Retailing Home Furnishings, Sec. One, Mon., Dec. 3, 1979, p. 28, Mr. Coffee "Pasta-Matic Spaghetti Machine".*

*HFD-Retailing Home Furnishings, Sec. One, May 26, 1980, p. 31, Pasta Machines Shown, "Pronto Pasta", r. panel Continental Gourmet.*

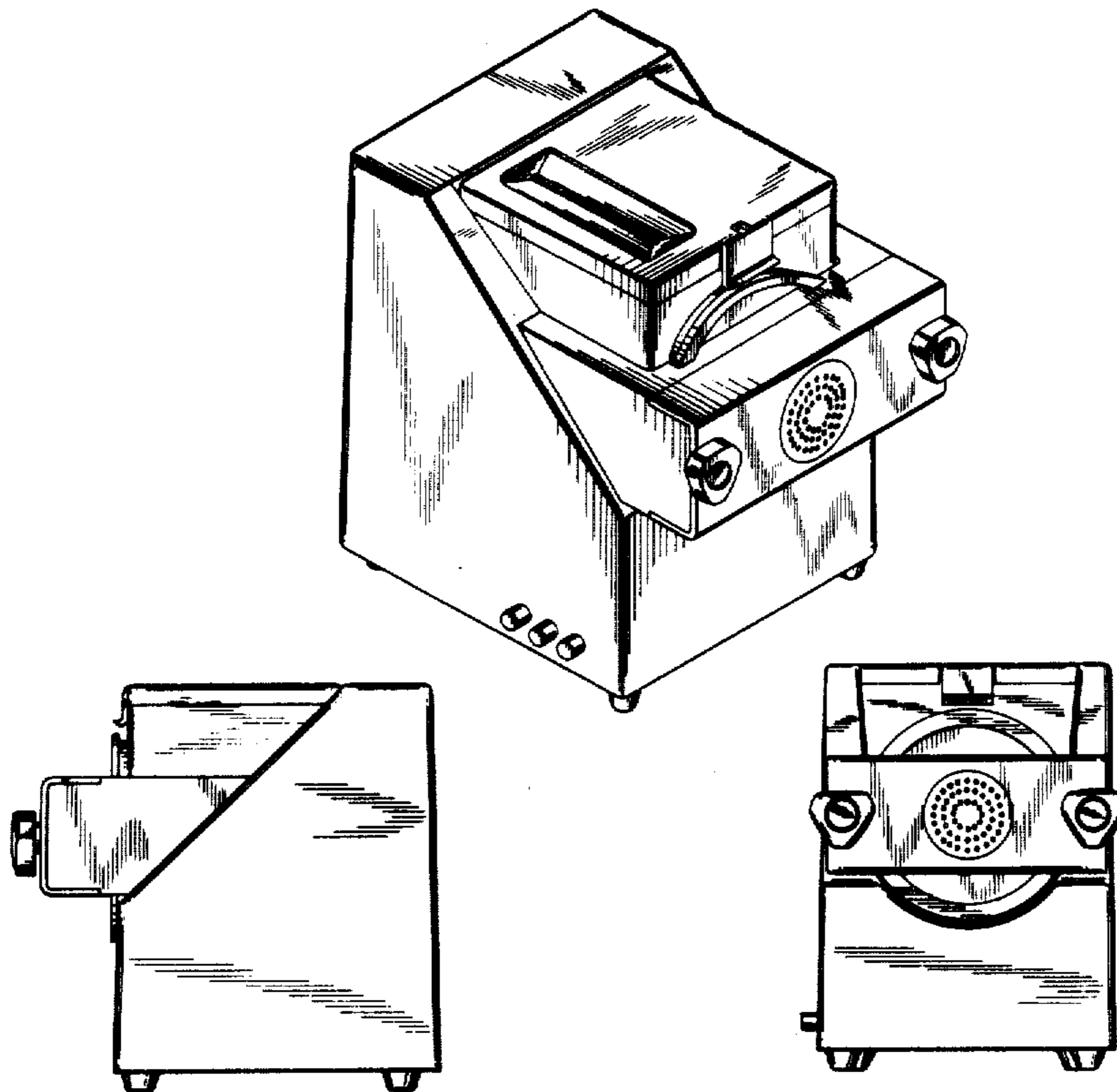
*Primary Examiner—Winifred E. Herrmann  
Attorney, Agent, or Firm—Kirschstein, Kirschstein, Ottinger & Cobrin*

[57] **CLAIM**

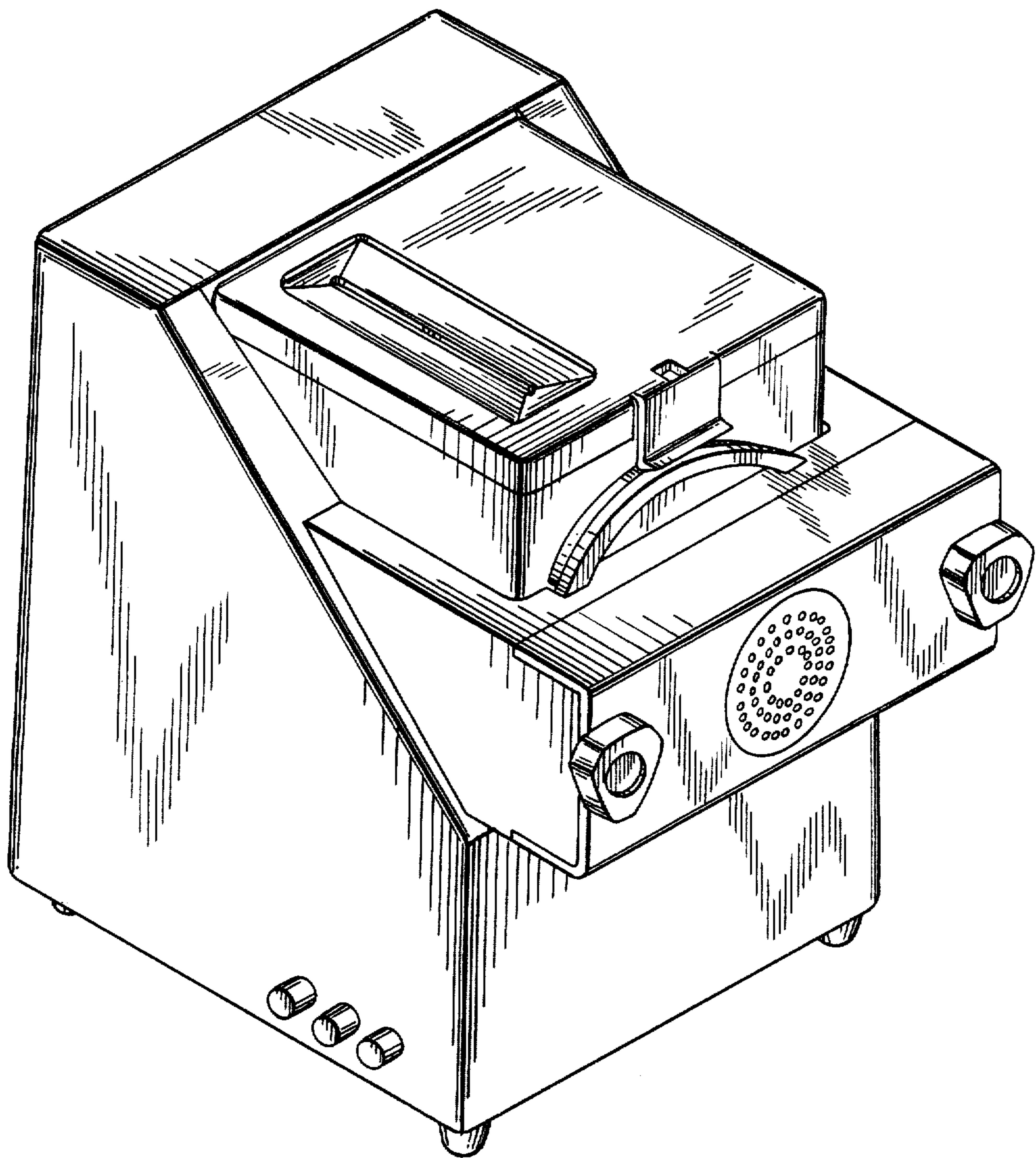
The ornamental design for a kitchen appliance for making farinaceous products, substantially as shown.

**DESCRIPTION**

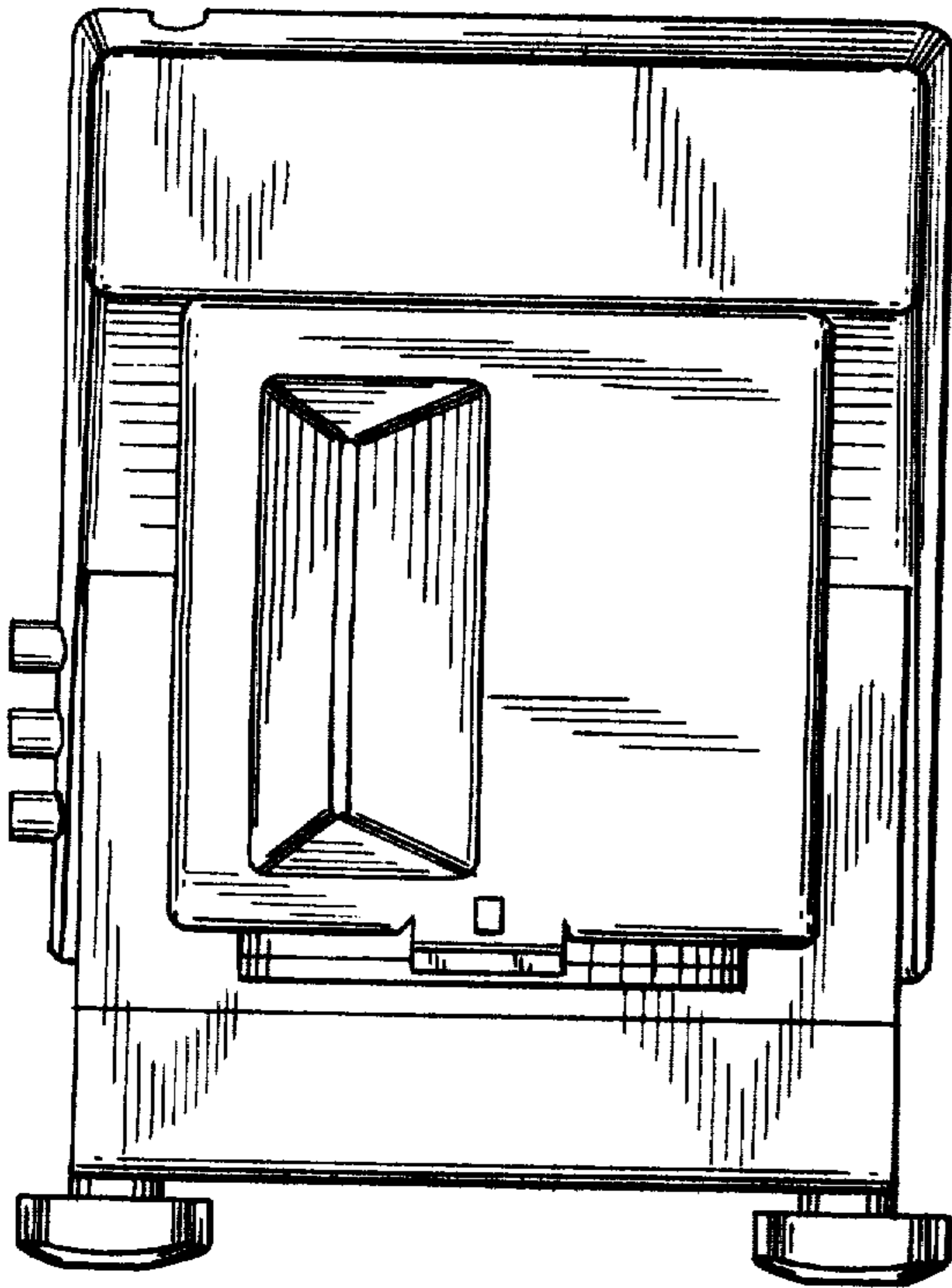
FIG. 1 is a front perspective view of a kitchen appliance for making farinaceous products showing our new design;  
FIG. 2 is a top plan view thereof;  
FIG. 3 is a front elevational view thereof;  
FIG. 4 is a right side elevational view thereof;  
FIG. 5 is a left side elevational view thereof;  
FIG. 6 is a rear elevational view thereof; and  
FIG. 7 is a bottom plan view thereof.



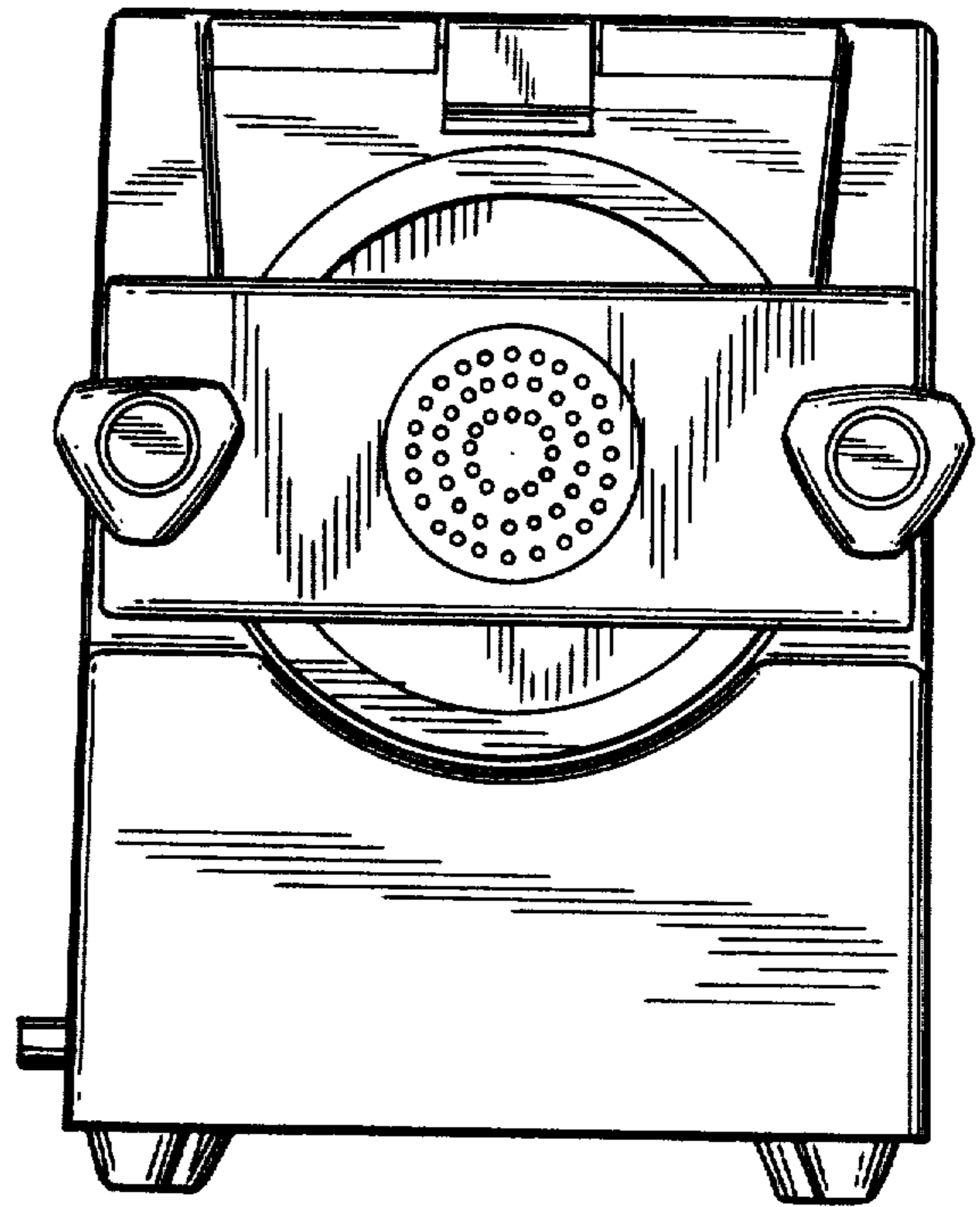
*FIG. 1*



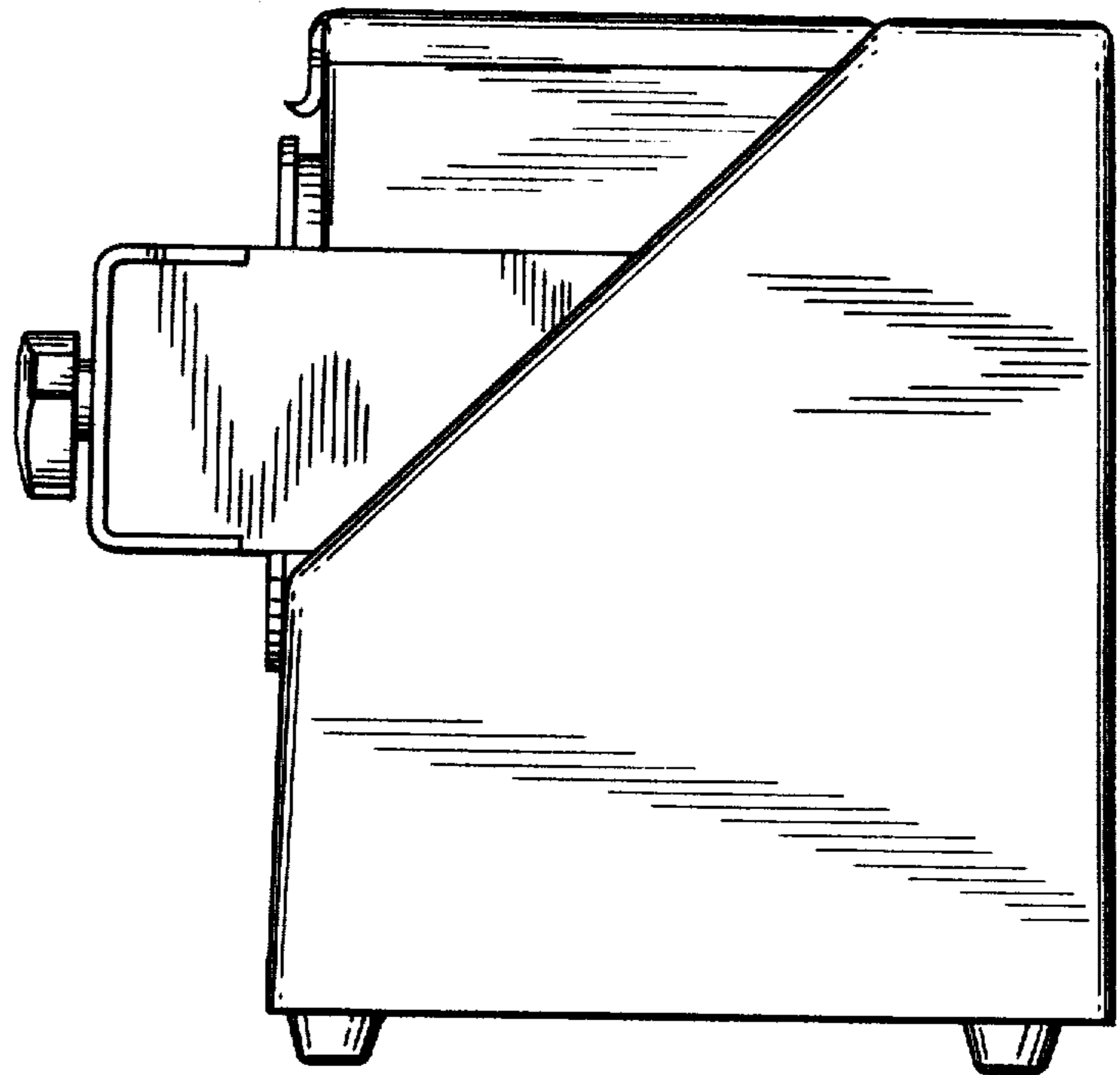
*FIG. 2*

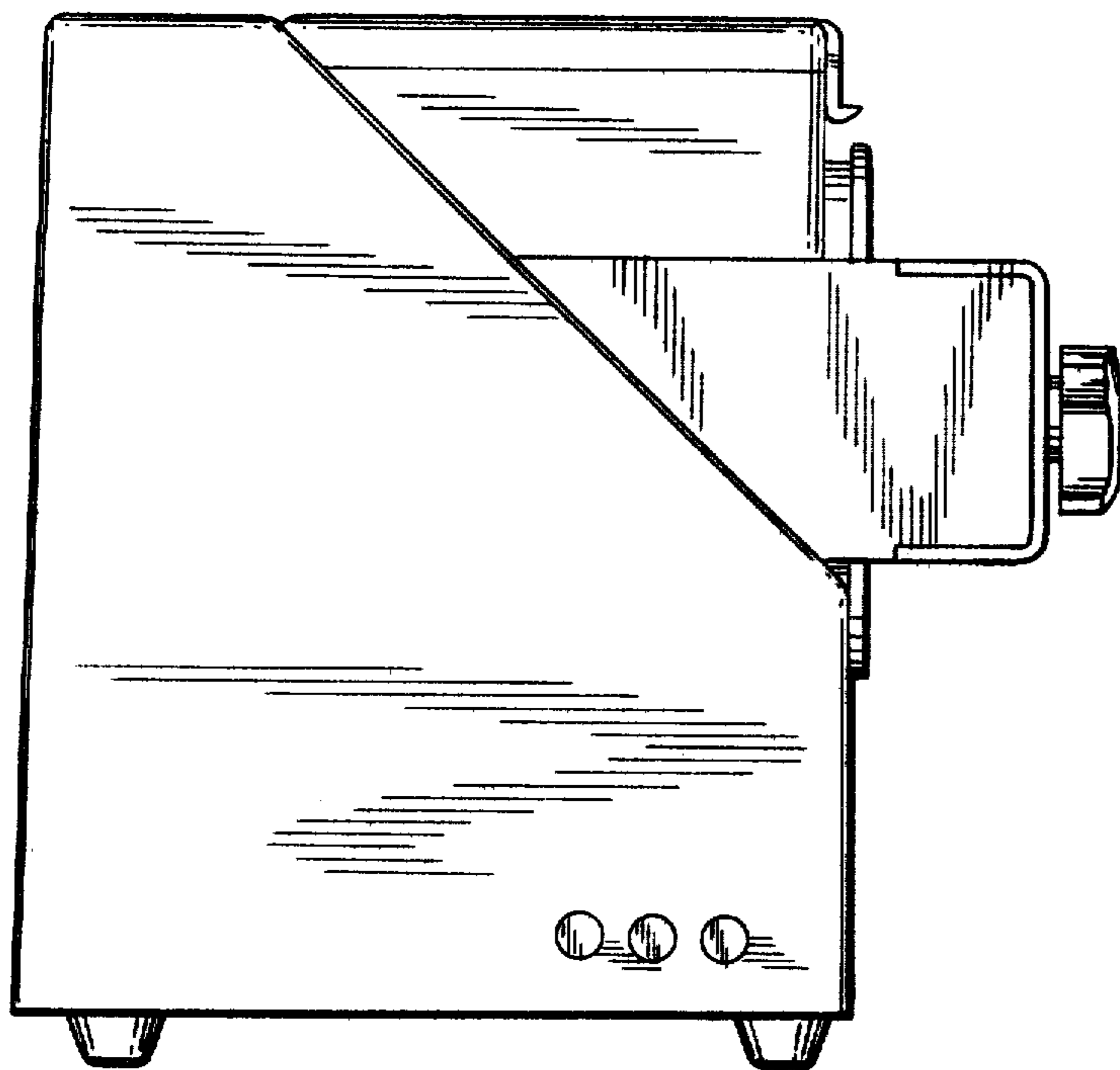


*FIG. 3*



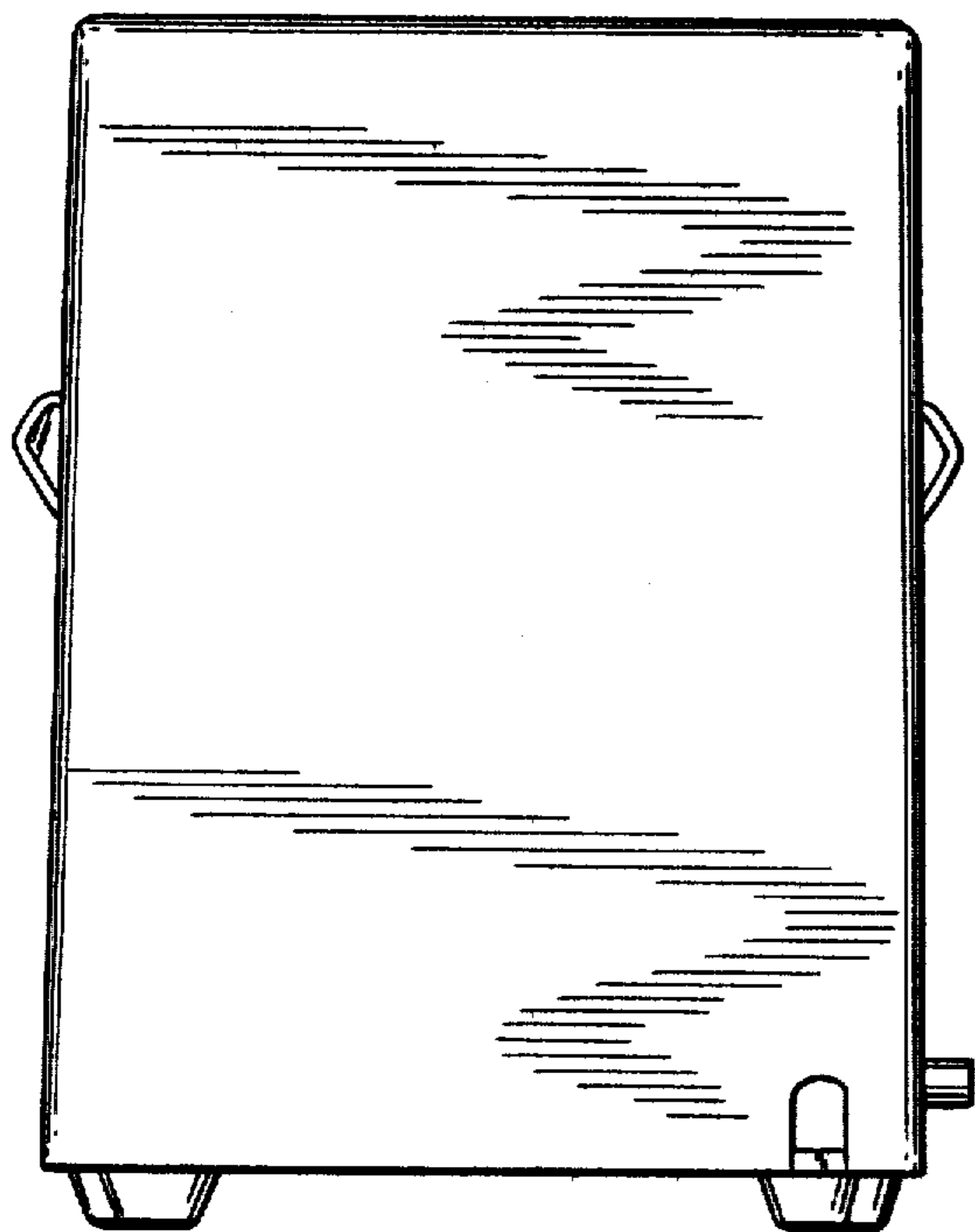
*FIG. 4*





*FIG. 5*

*FIG. 6*



*FIG. 7*

