

[54] CONTAINER FOR FREEZING AND STORING FOOD PRODUCTS

[75] Inventor: Walter J. Dunden, Eugene, Oreg.

[73] Assignee: Chef Francisco, Inc., Eugene, Oreg.

[**] Term: 14 Years

[21] Appl. No.: 201,717

[22] Filed: Oct. 29, 1980

[51] Int. Cl. D07-07; D15-07

[52] U.S. Cl. D7/76; D7/38; D9/425; D15/89; D34/40

[58] Field of Search D7/76, 77, 38, 37; D34/40, 43, 44, 45, 46; D15/89, 90; D3/30.1; D9/425, 432, 424, 431, 456, 426

[56] References Cited

U.S. PATENT DOCUMENTS

- D. 184,593 3/1959 Anderson et al. D15/90 X
- D. 191,144 8/1961 Schanz D7/76 X
- D. 196,945 11/1963 Tibbets D7/77
- D. 205,866 9/1966 Asenbauer D7/76 X

- D. 229,329 11/1973 Jansen D9/425 X
- D. 251,480 4/1979 Cherry D34/40
- 2,760,676 8/1956 Knieriem et al. D34/43 X
- 2,994,457 8/1961 Fornas D7/76 X
- 3,113,680 12/1963 Frater et al. D7/76 X
- 3,759,416 9/1973 Constantine D7/76 X

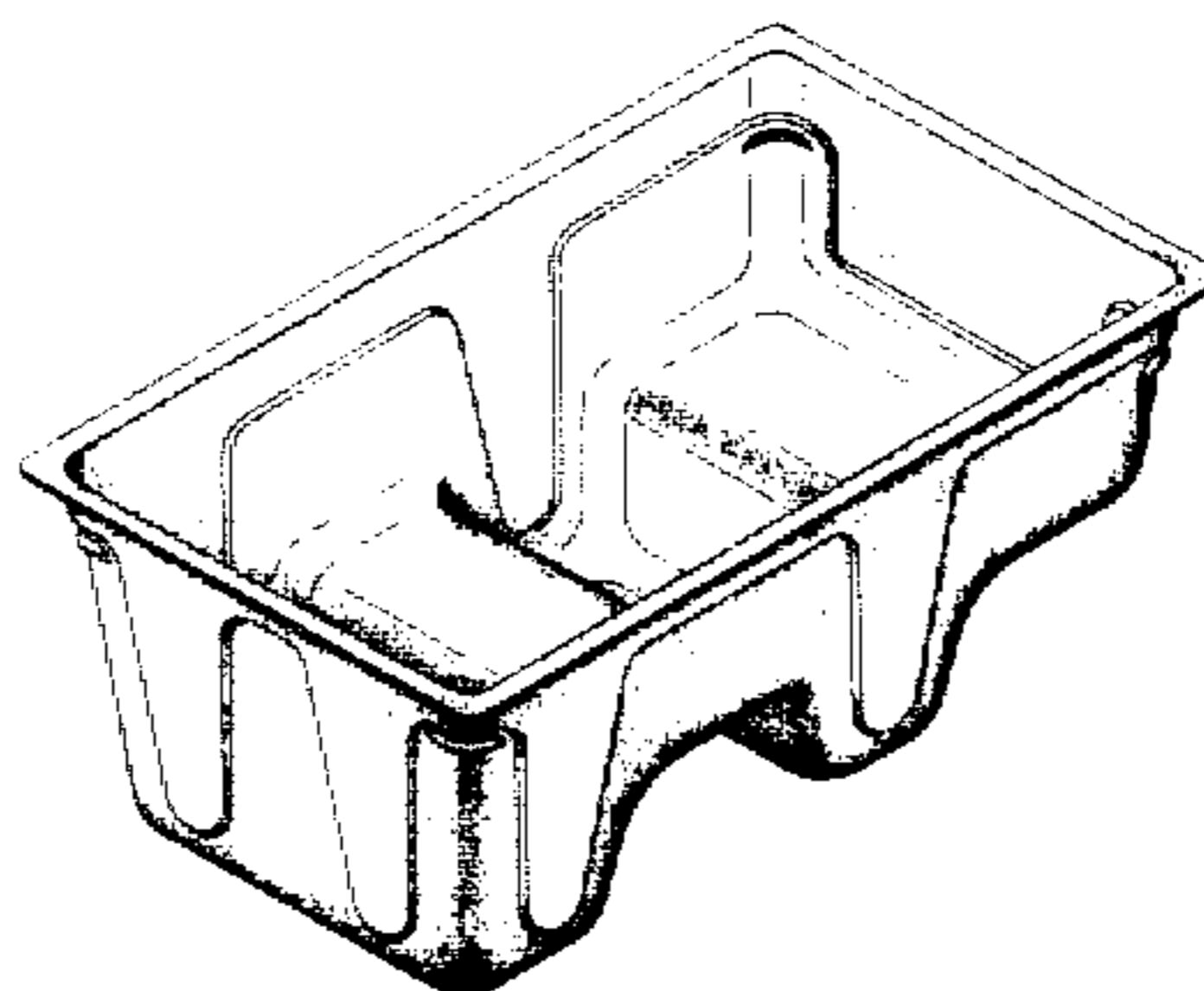
Primary Examiner—Winifred E. Herrmann
Attorney, Agent, or Firm—Fisher, Christen & Sabol

[57] CLAIM

The ornamental design for a container for freezing and storing food products, as shown and described.

DESCRIPTION

FIG. 1 is a top perspective view of a container for freezing and storing food products showing my new design; FIG. 2 is a right side elevational view thereof; FIG. 3 is a left end elevational view thereof; FIG. 4 is a right end elevational view thereof; FIG. 5 is a top plan view thereof; FIG. 6 is a left side elevational view thereof; FIG. 7 is a bottom plan view thereof; and FIG. 8 is a top perspective view thereof showing a modification of my new design.



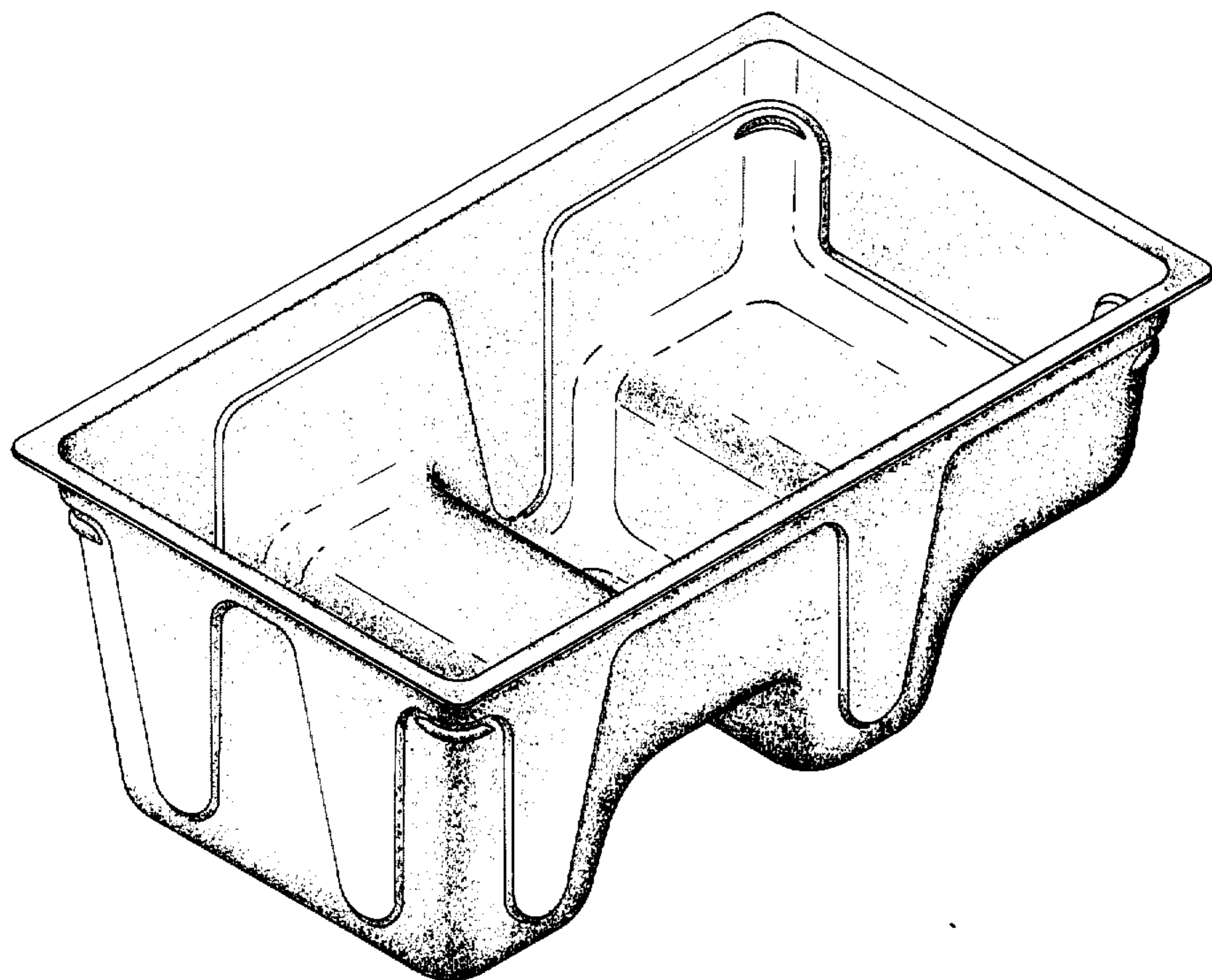


FIG. 1

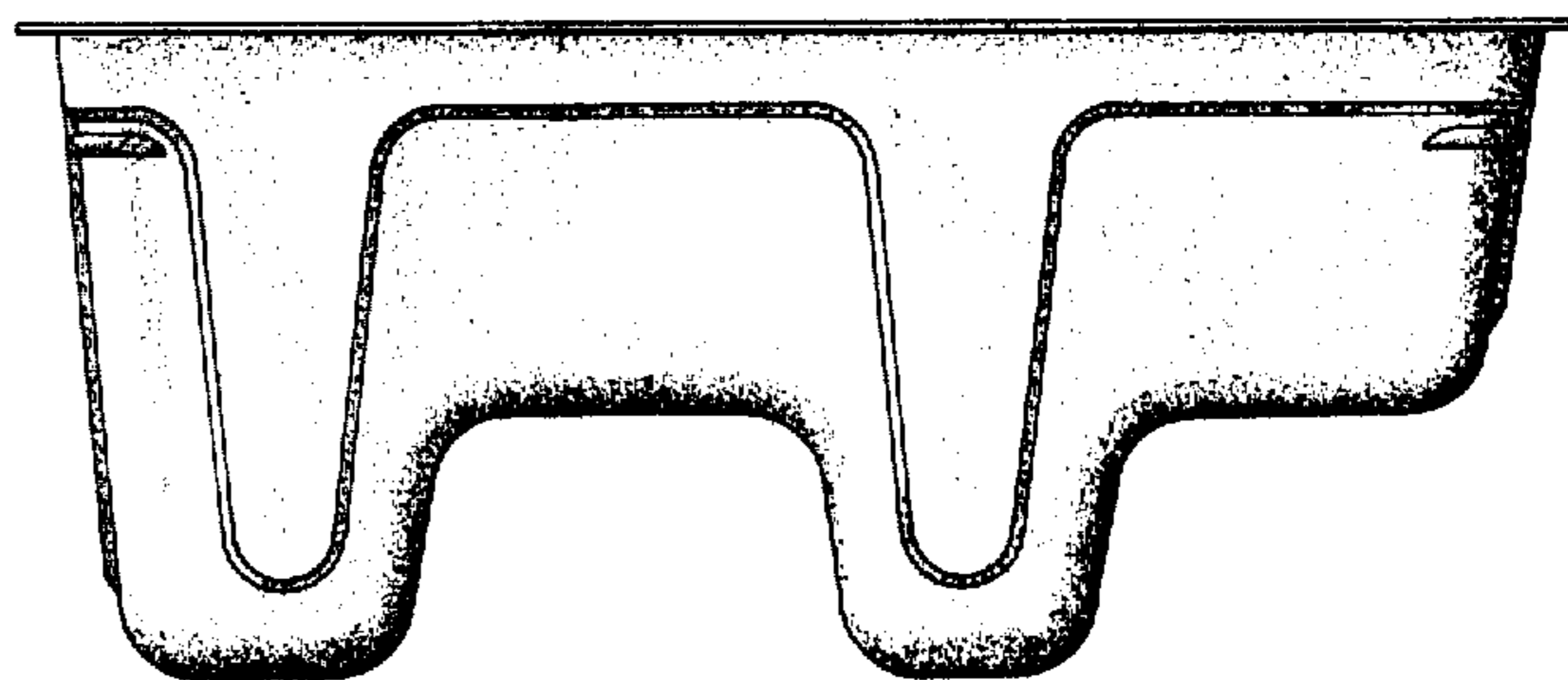


FIG. 2

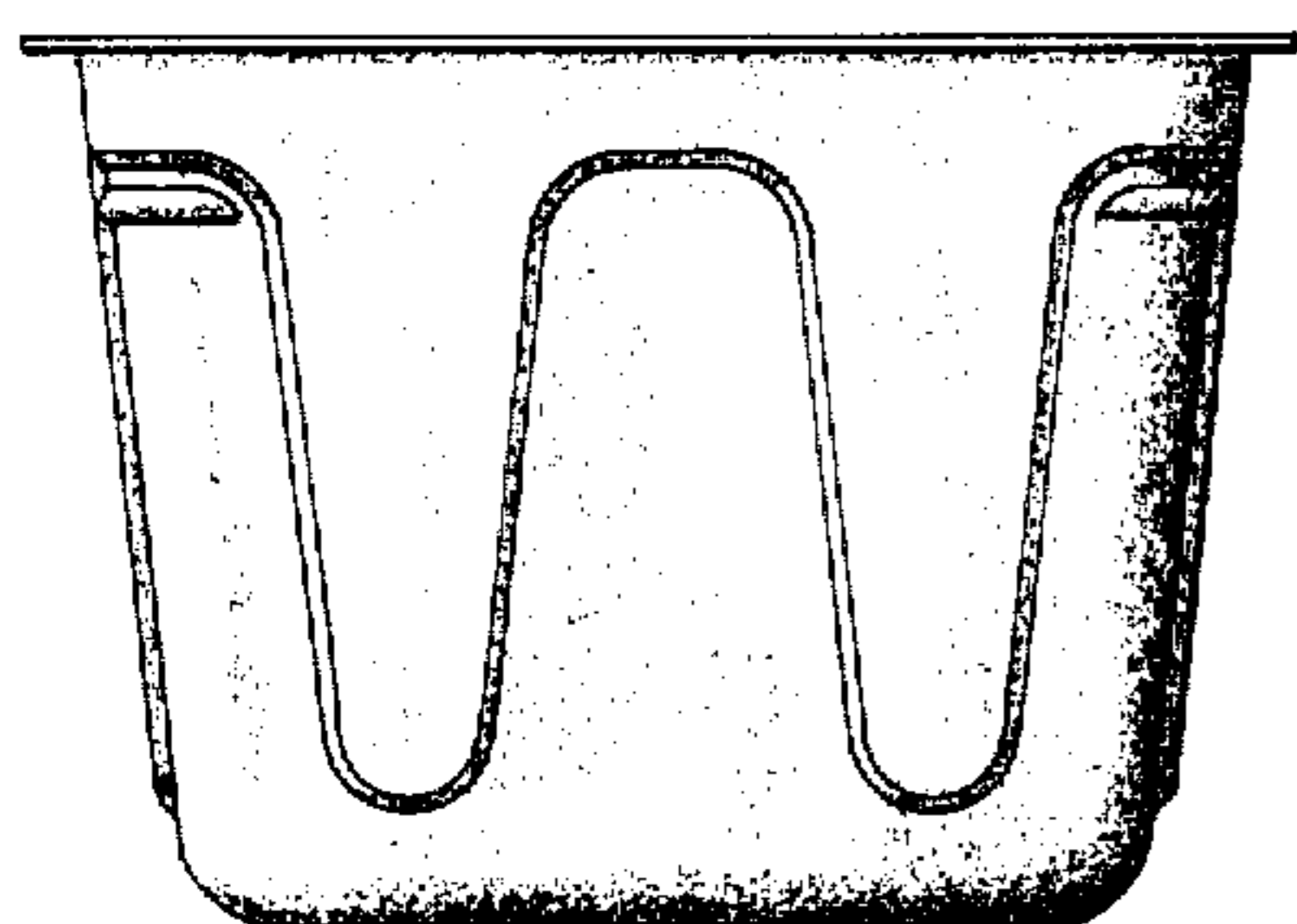


FIG. 3

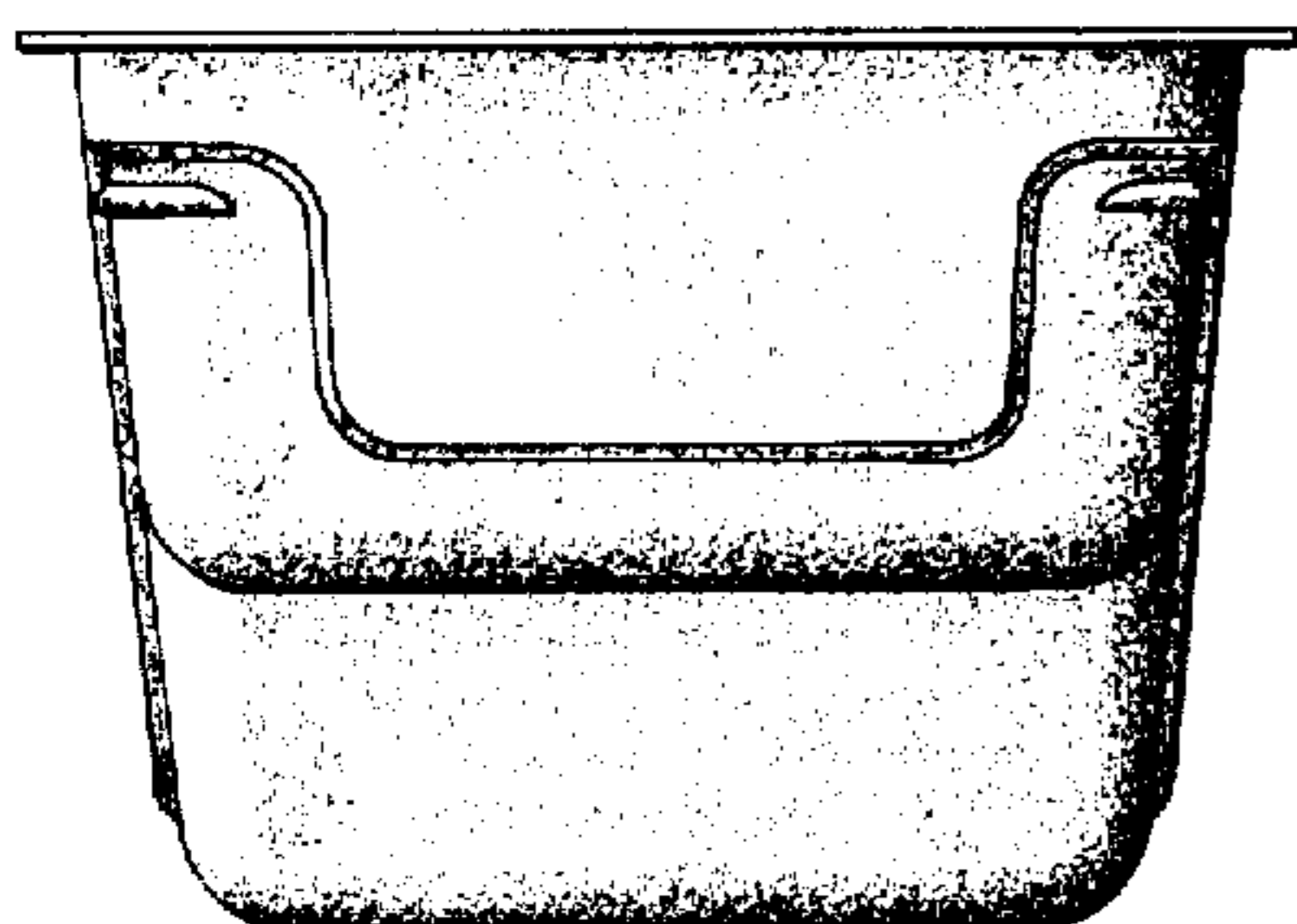


FIG. 4

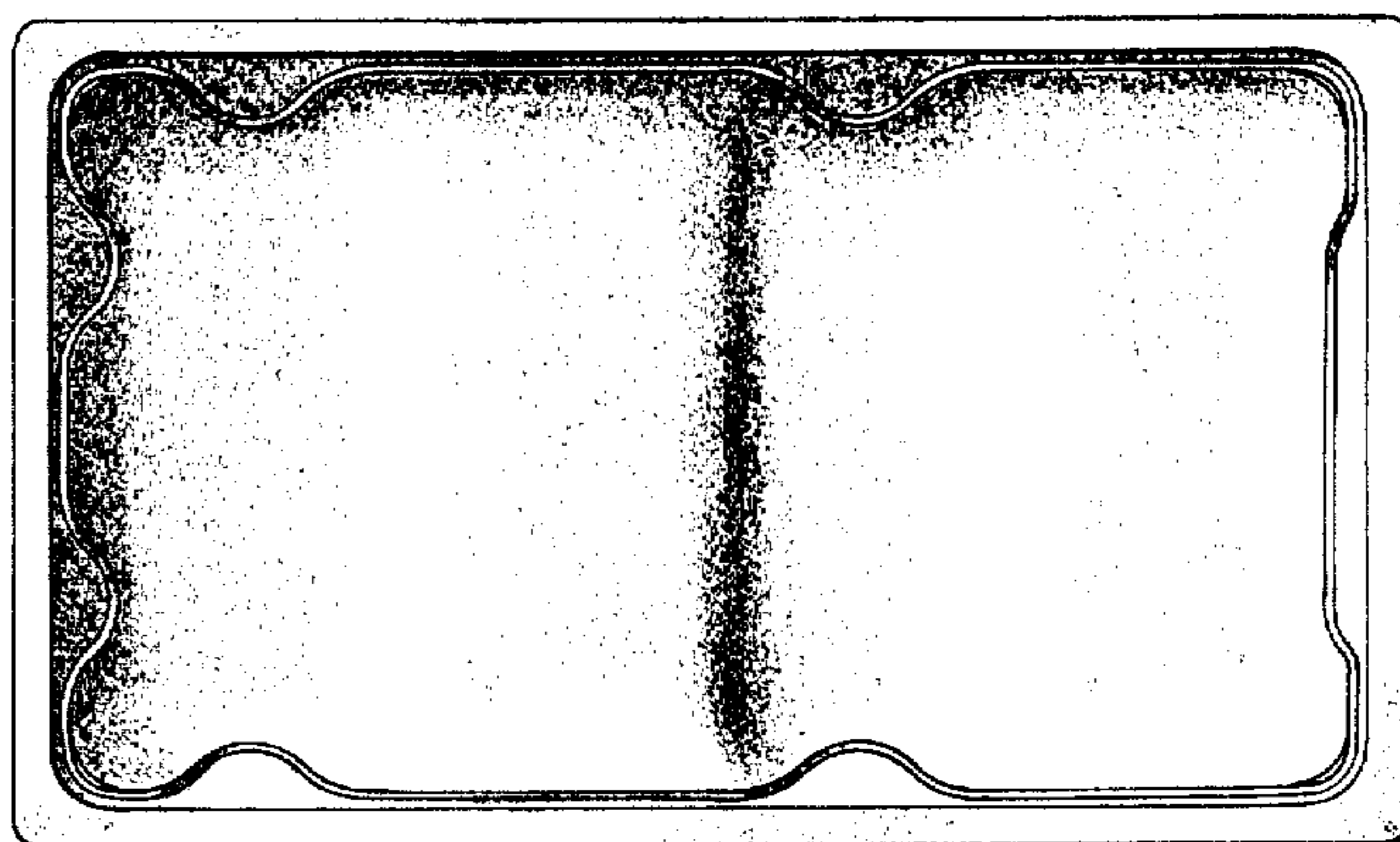


FIG. 5

FIG. 6

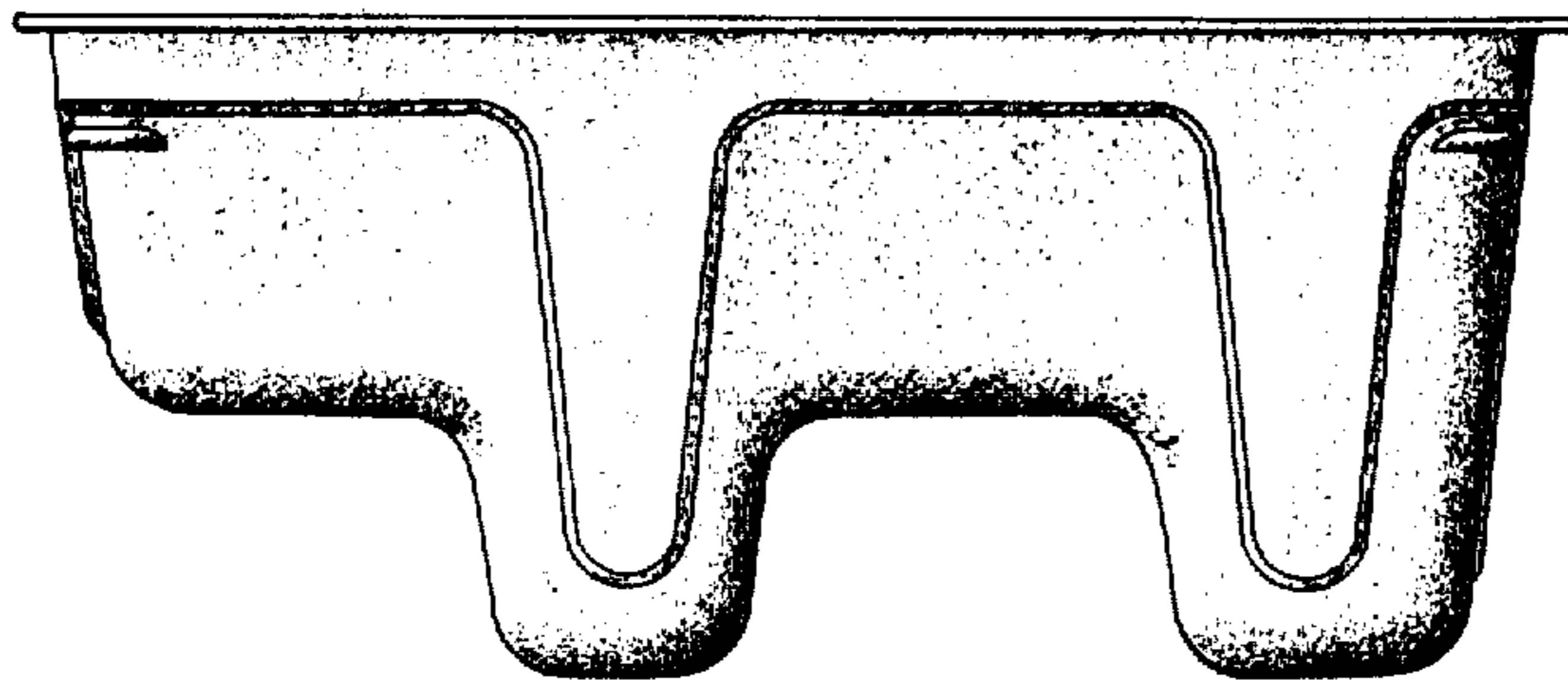


FIG. 7

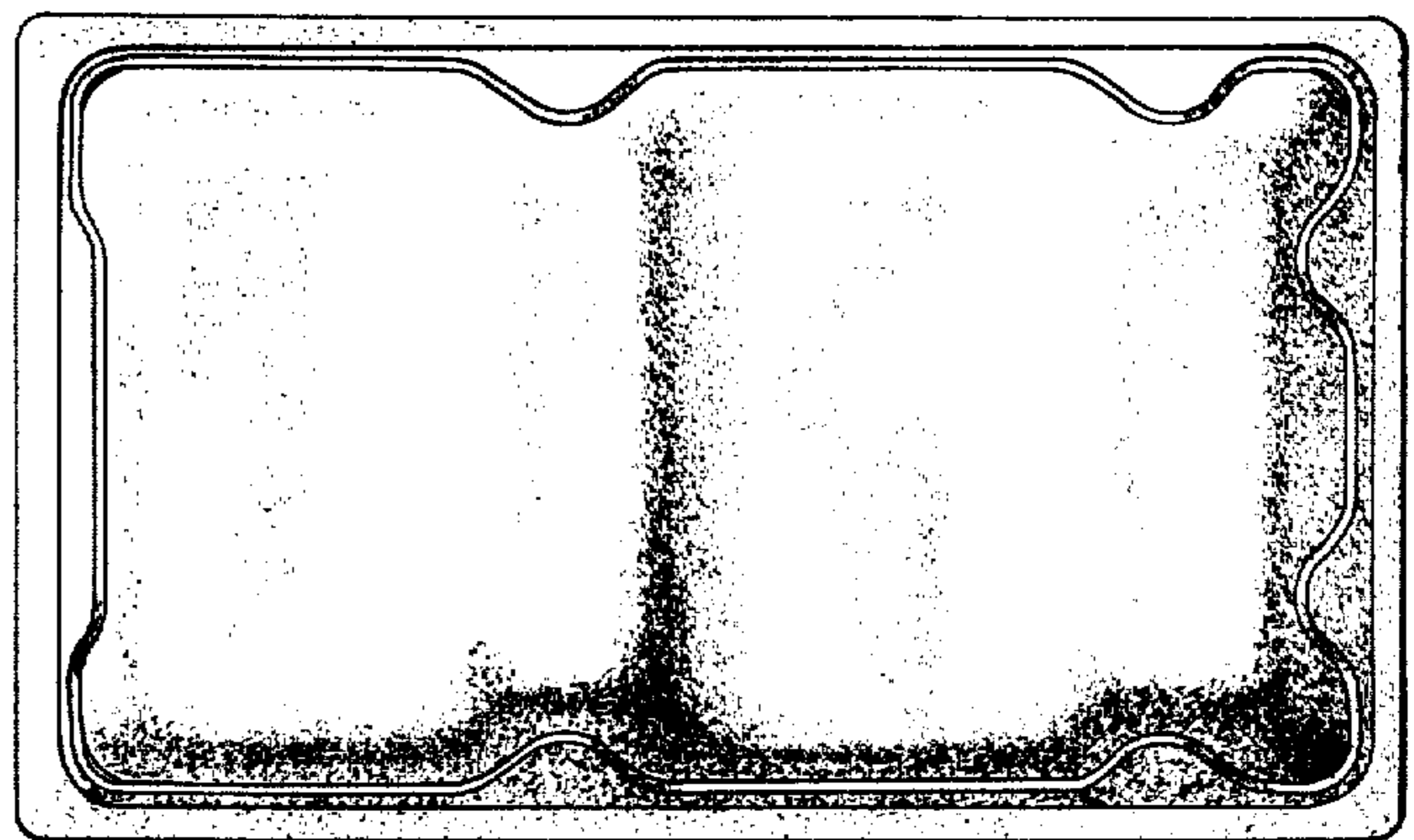


FIG. 8

