

[54] DISPLAY FRAME

[76] Inventor: Thomas L. Heithaus, 200
Pemberwick Rd., Greenwich, Conn.
06830

[**] Term: 14 Years

[21] Appl. No.: 90,445

[22] Filed: Nov. 1, 1979

[51] Int. Cl. D6-07

[52] U.S. Cl. D6/234; D6/235

[58] Field of Search D6/232-245,
D6/123; 40/152, 152.1, 152.2, 156, 158 R, 158
B, 159; D11/132

[56] References Cited

U.S. PATENT DOCUMENTS

D. 255,792	7/1980	Harrison	D12/187
896,753	8/1908	Peterson	40/152.1
3,545,115	12/1970	Nichols	D6/236
3,883,974	5/1975	Ashton	40/152

Primary Examiner—Charles A. Rademaker
Attorney, Agent, or Firm—St. Onge, Steward, Johnston
& Reens

[57] CLAIM

The ornamental design for a display frame, substantially
as shown and described.

DESCRIPTION

FIG. 1 is a front perspective view of a display frame
showing my new design;

FIG. 2 is a front elevational view thereof;

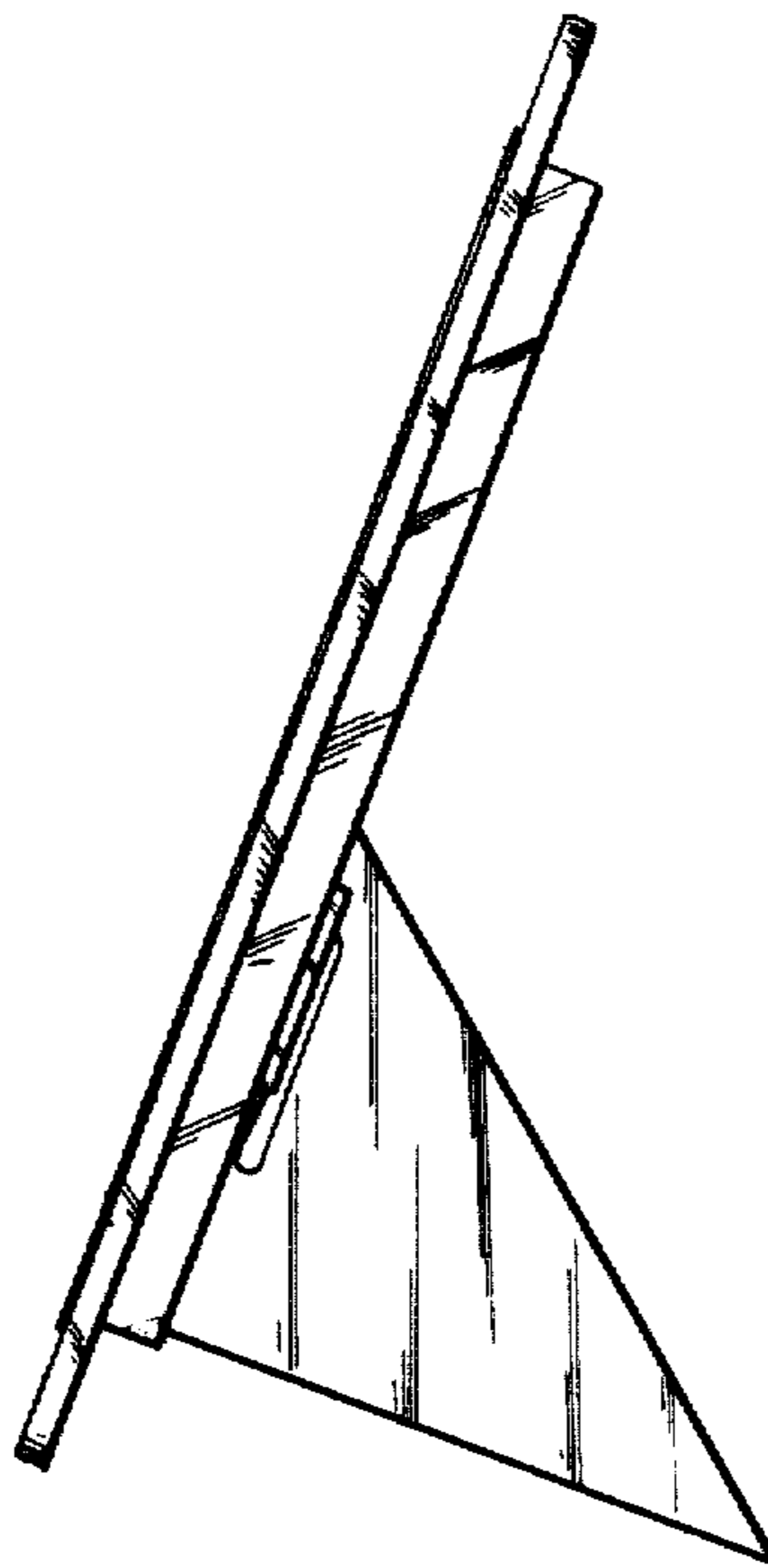
FIG. 3 is a side elevational view thereof;

FIG. 4 is a top plan view thereof;

FIG. 5 is a rear elevational view thereof;

FIG. 6 is an elevational view taken from the side oppo-
site that of FIG. 3.

The characteristic feature of my design resides in the
configuration of the raised ridge surrounding each dis-
play area surrounded by a second raised ridge with the
face of the frame extending beyond the raised ridges
and the configuration of the rear support bracket.



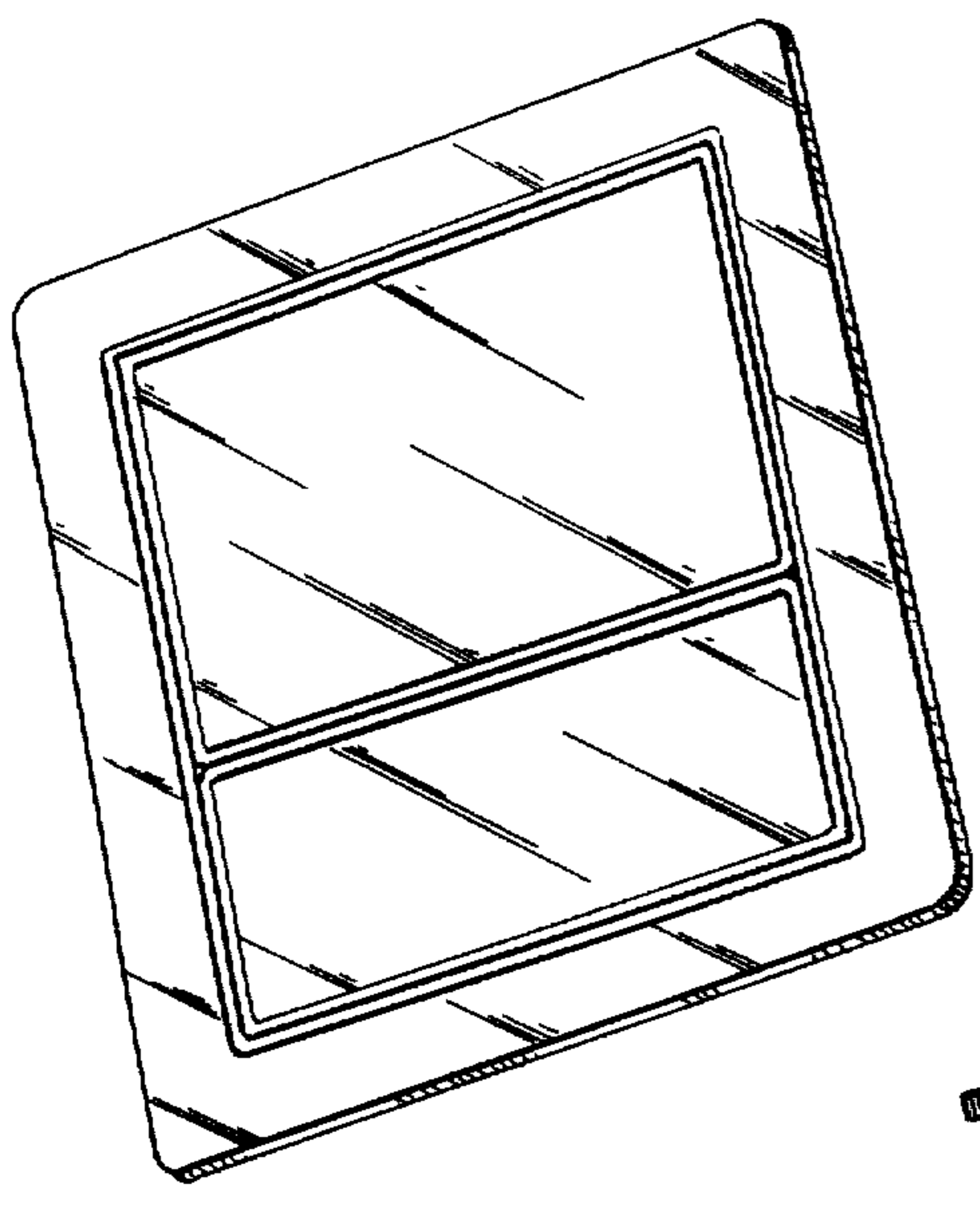


Fig. 1.

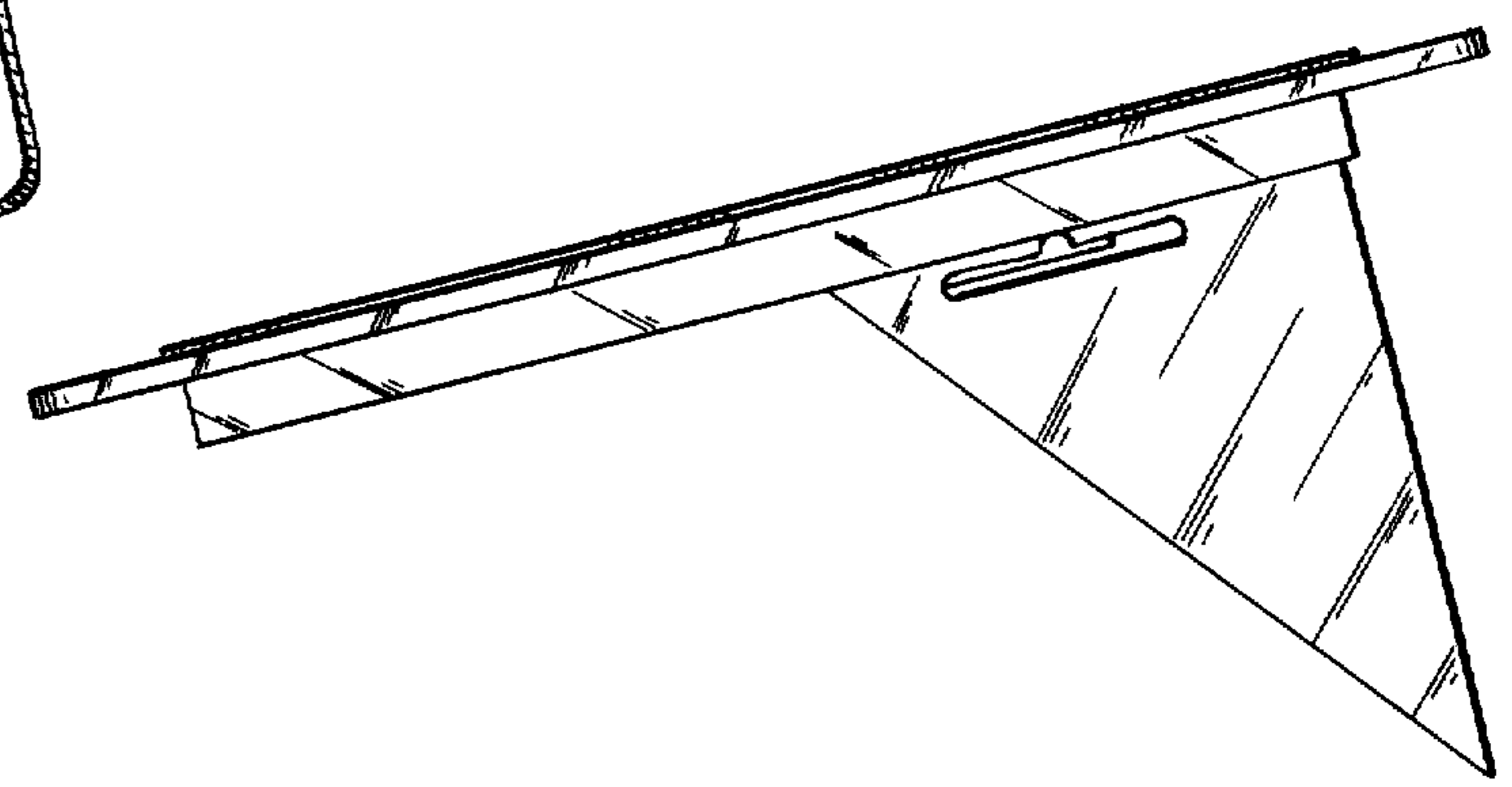


Fig. 6.

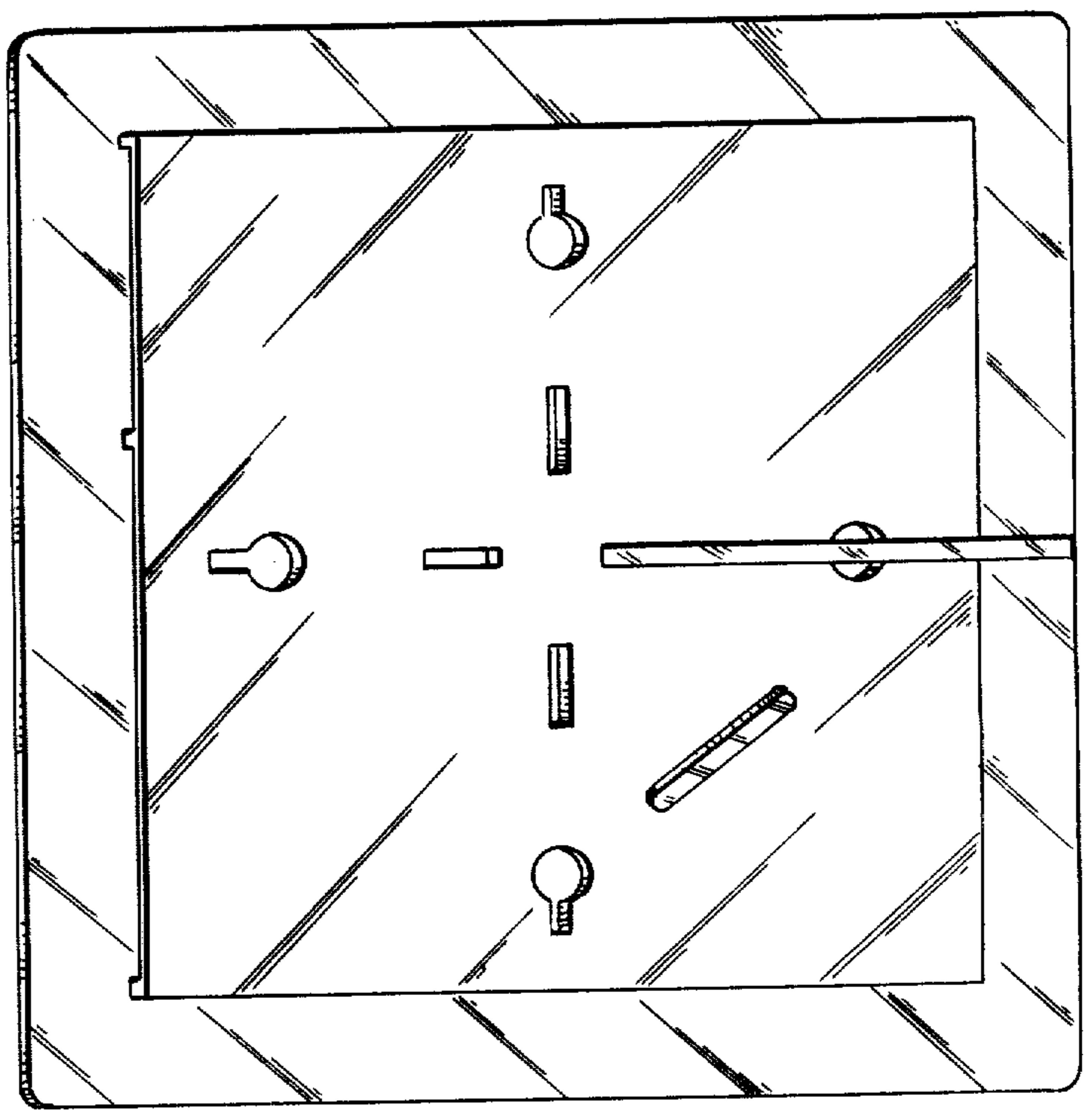


Fig. 5.

Fig. 4.

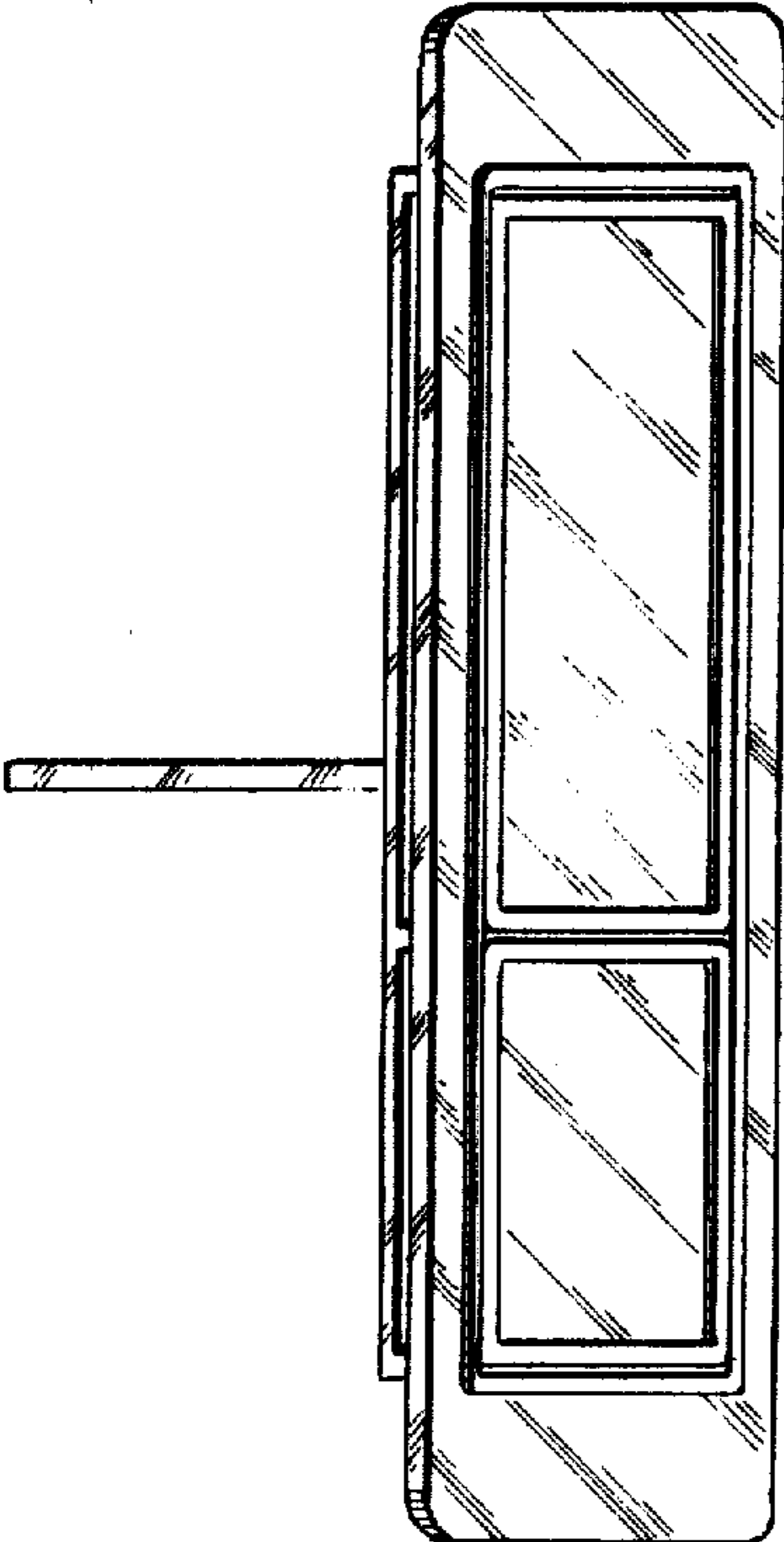


Fig. 2.

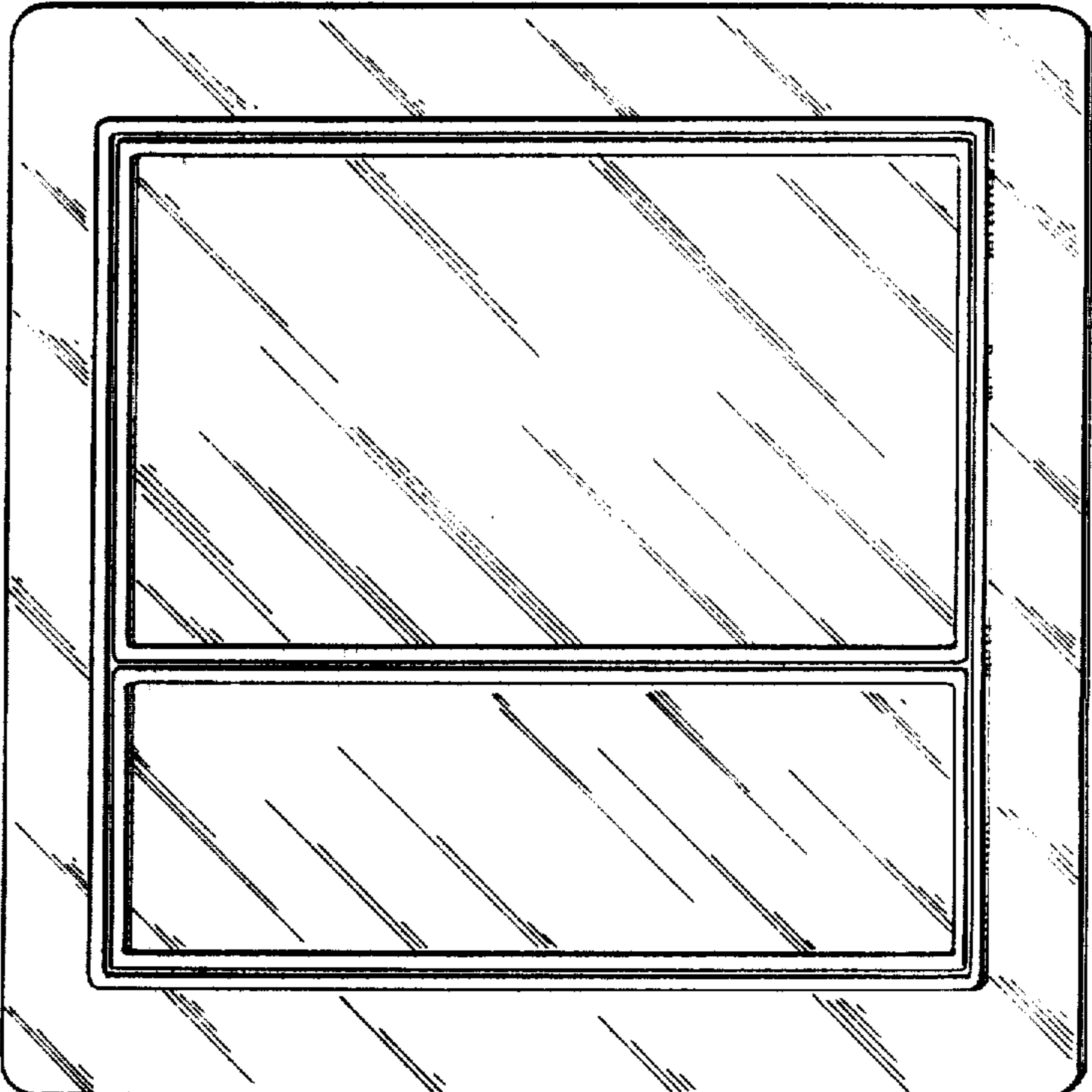


Fig. 3.

