

[54] TOILET PAPER DISPENSER

[75] Inventors: Carl-Arne Breger, Malmö; Per-Olof Landgren, Nacka, both of Sweden

[73] Assignee: Fiskeby Aktiebolag, Norrköping, Sweden

[**] Term: 14 Years

[21] Appl. No.: 175,502

[22] Filed: Aug. 5, 1980

[30] Foreign Application Priority Data

Feb. 6, 1980 [SE] Sweden 80-0265

[51] Int. Cl. D23-02

[52] U.S. Cl. D6/95; D6/127

[58] Field of Search D6/86, 96-98, D6/114, 127; 312/37, 38, 39, 40, 41; 242/55.2, 55.3, 55.53, 55.54, 55.55, 55.42; 206/389, 391, 409

[56]

References Cited

U.S. PATENT DOCUMENTS

D. 176,842	2/1956	D'Ath	D6/97
D. 248,604	7/1978	Lander	D6/97
3,843,071	10/1974	Graham	242/55.53
3,865,323	2/1975	Stronge	242/55.53

Primary Examiner—B. J. Bullock
Attorney, Agent, or Firm—Frishauf, Holtz, Goodman & Woodward

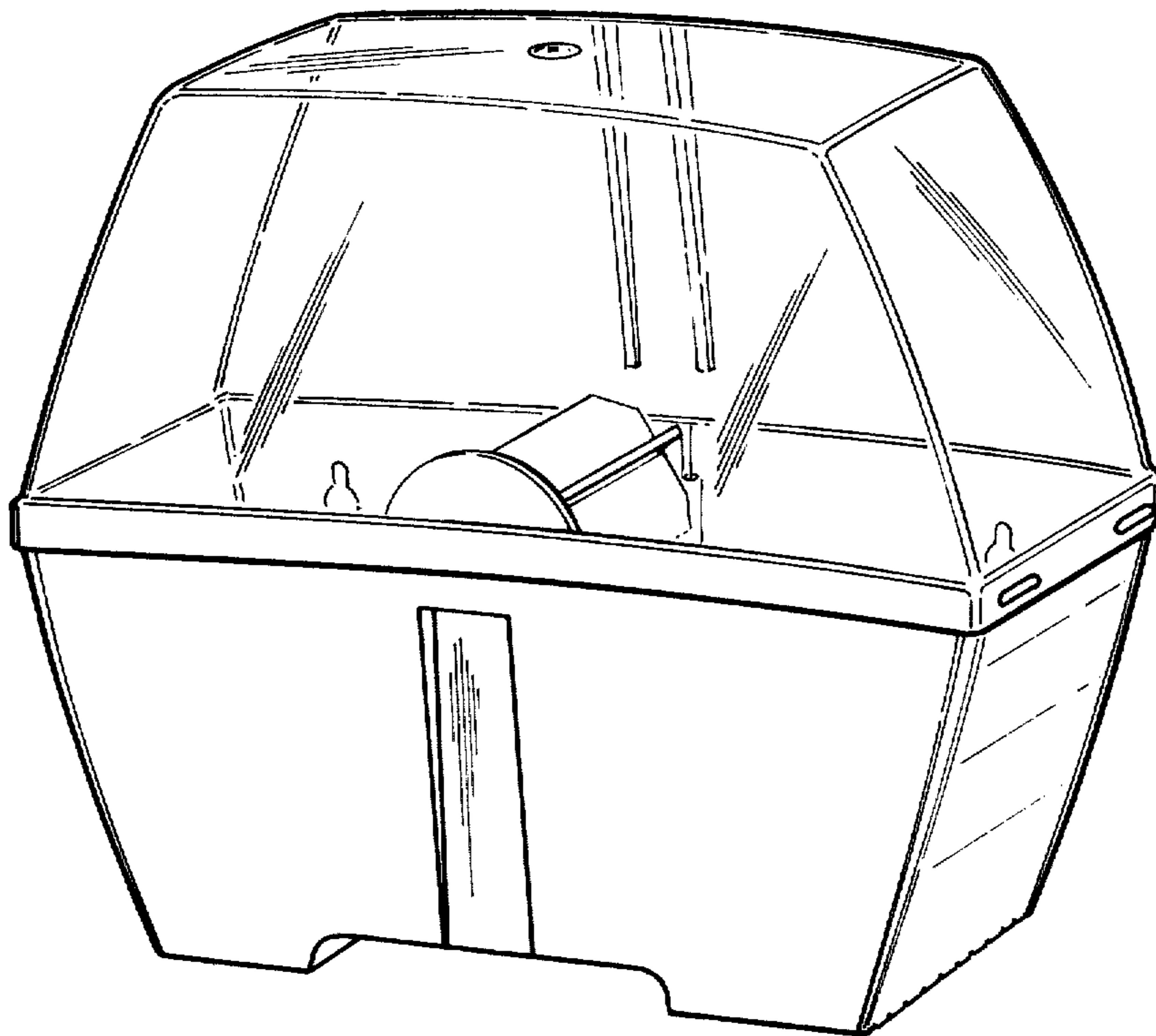
[57]

CLAIM

The ornamental design for toilet paper dispenser, substantially as shown.

DESCRIPTION

FIG. 1 is a front perspective view of a toilet paper dispenser showing our new design; FIG. 2 is a rear perspective view thereof; FIG. 3 is a front perspective view of the cover, shown separately for clarity of illustration; FIG. 4 is a front perspective view of the bottom portion again shown separately for clarity of illustration; FIG. 5 is a bottom view of the bottom portion; FIG. 6 is a top view of the bottom portion; and FIG. 7 is a top view of the bottom portion with the transverse member removed.



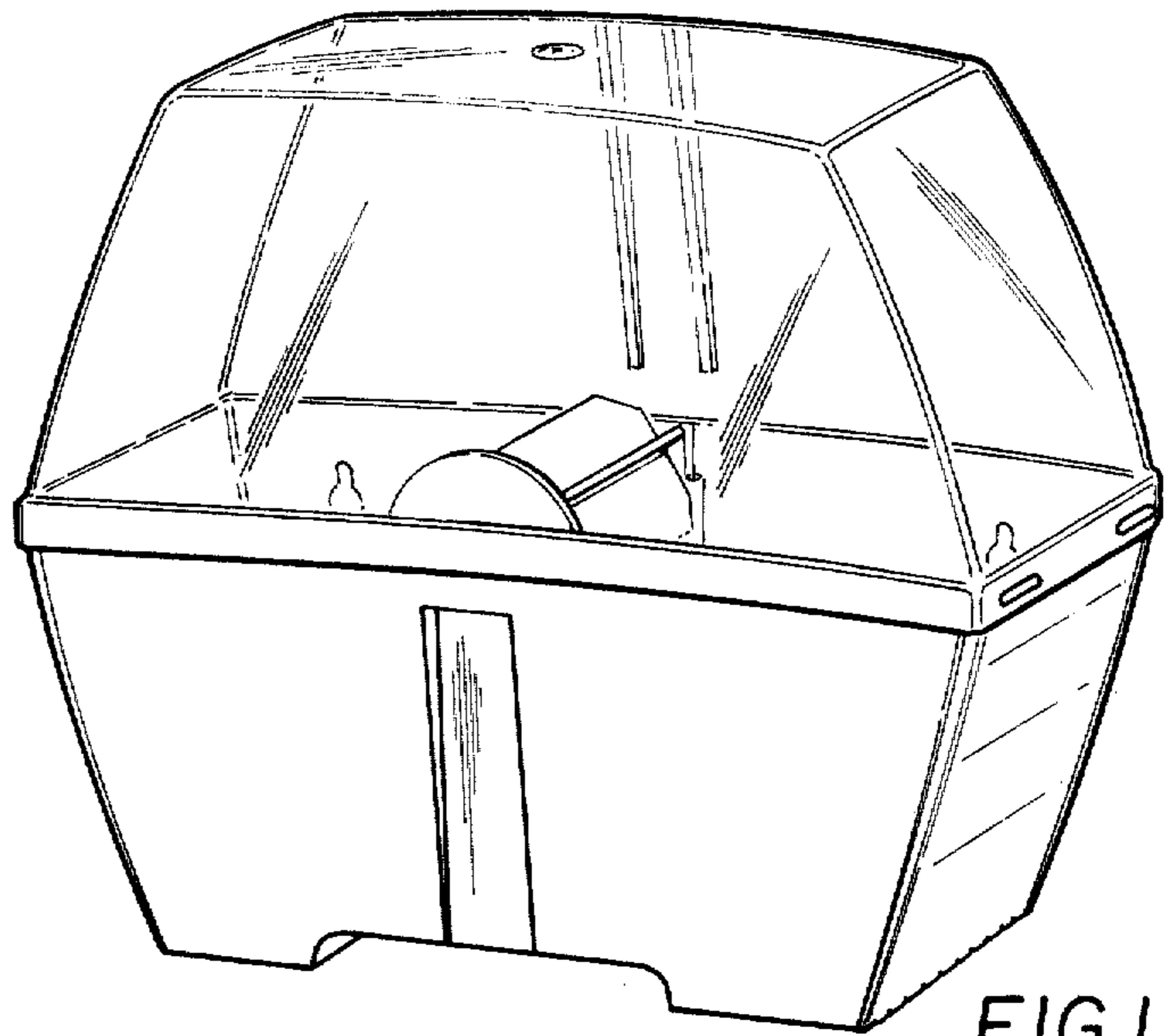


FIG. 1

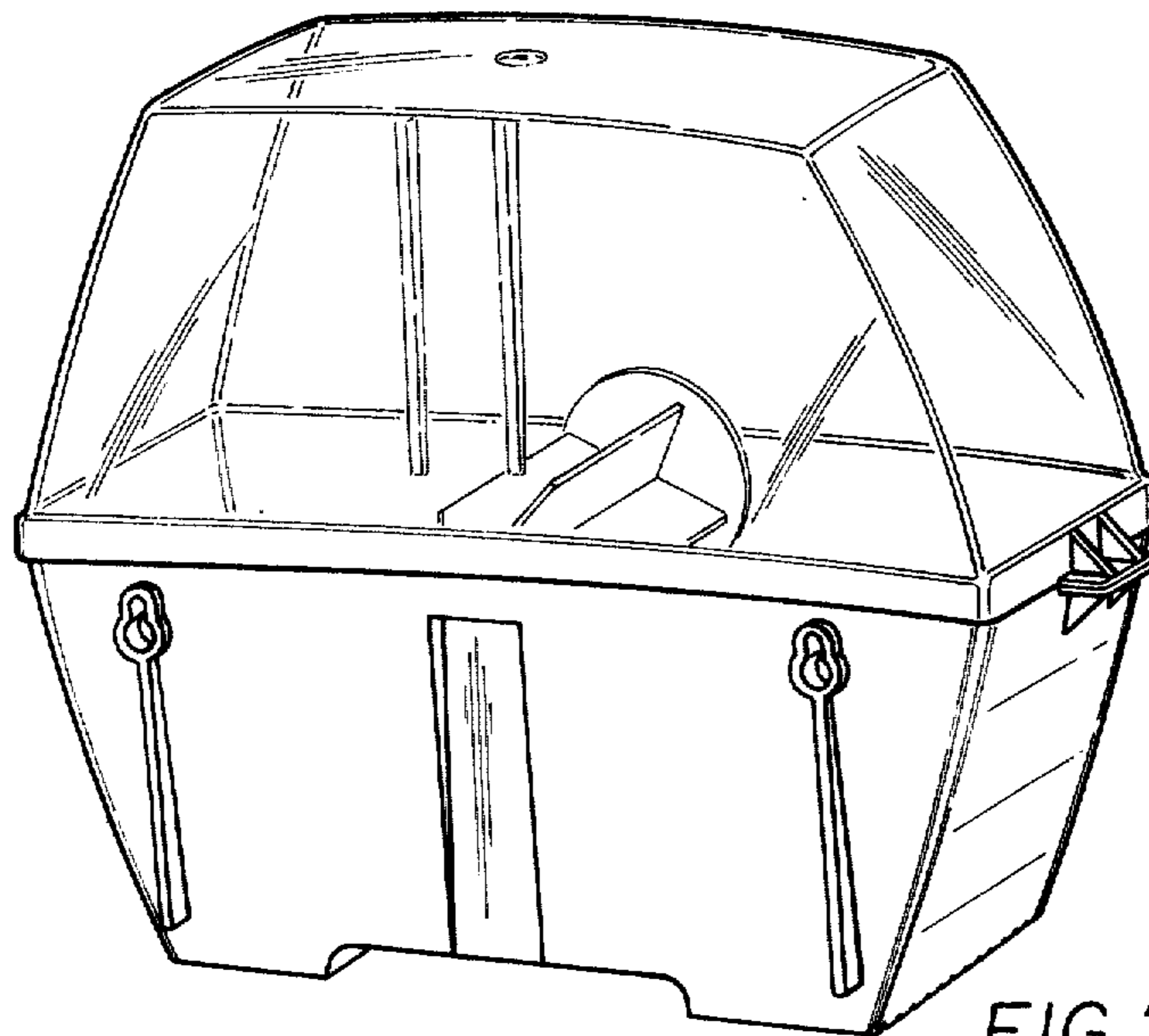


FIG. 2

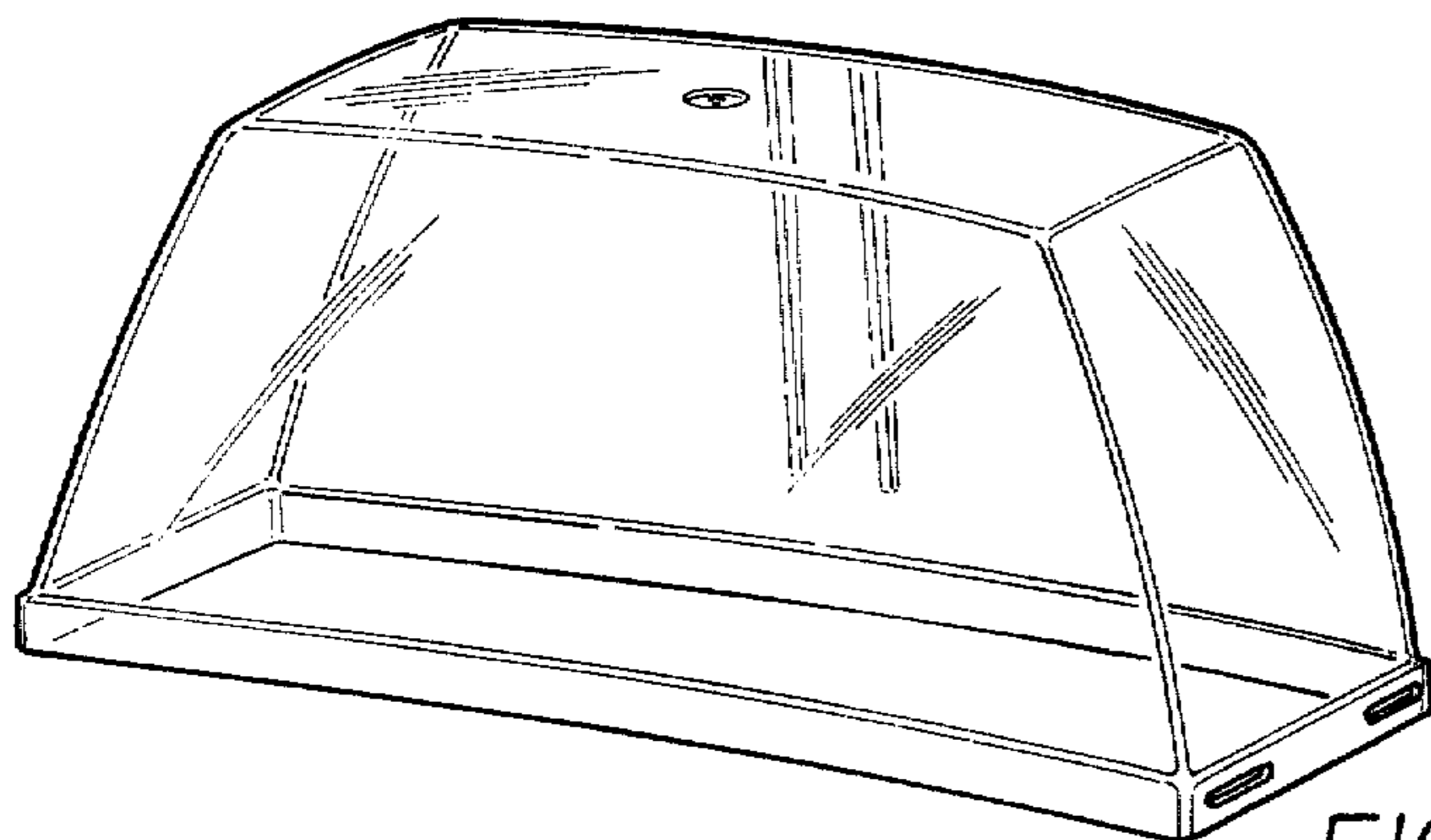


FIG. 3

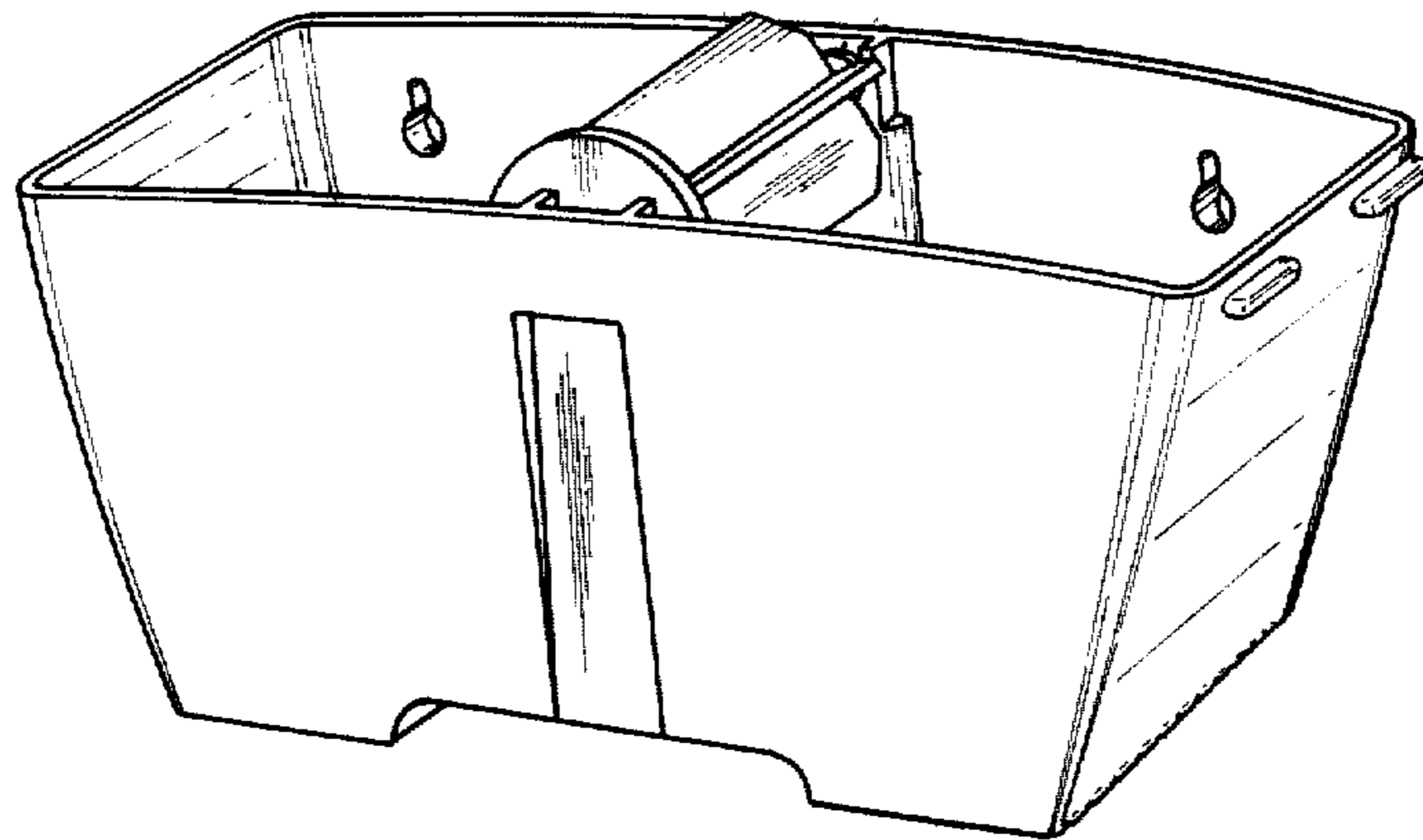


FIG. 4

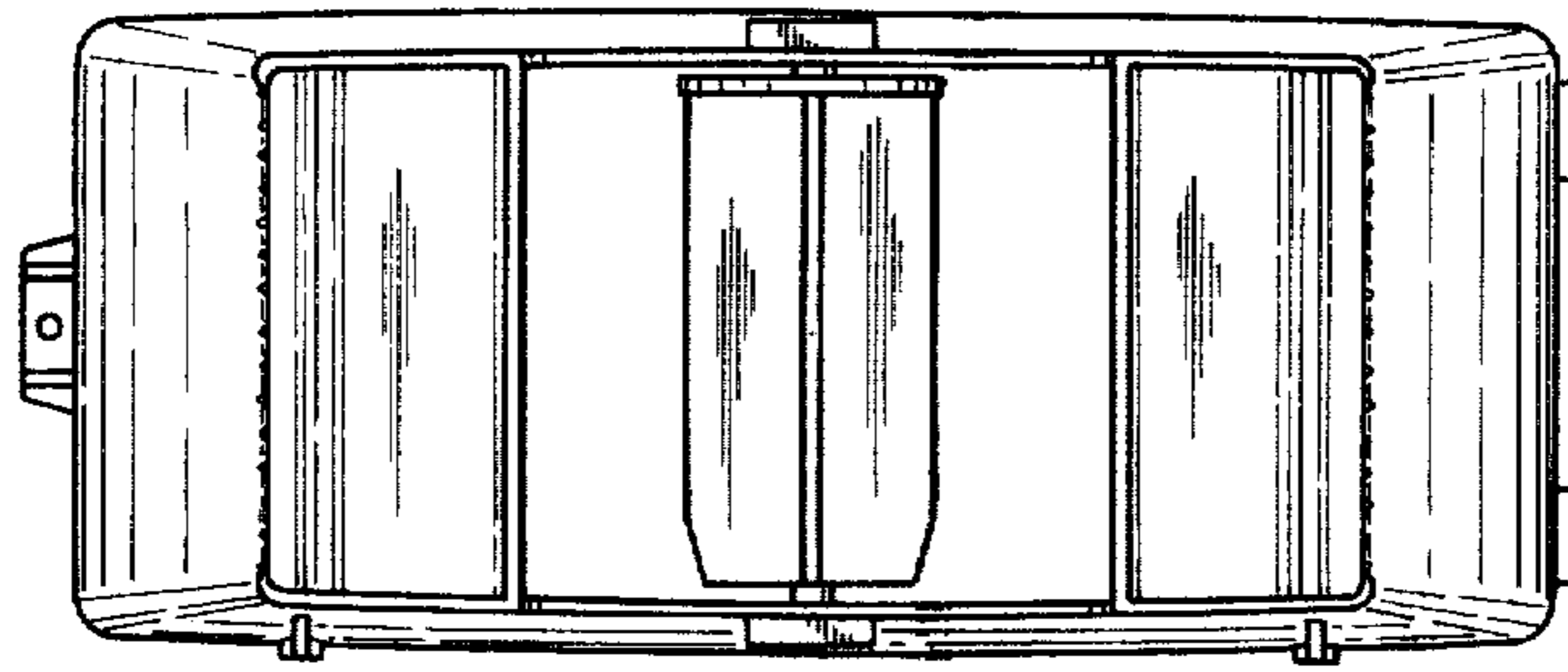


FIG. 5

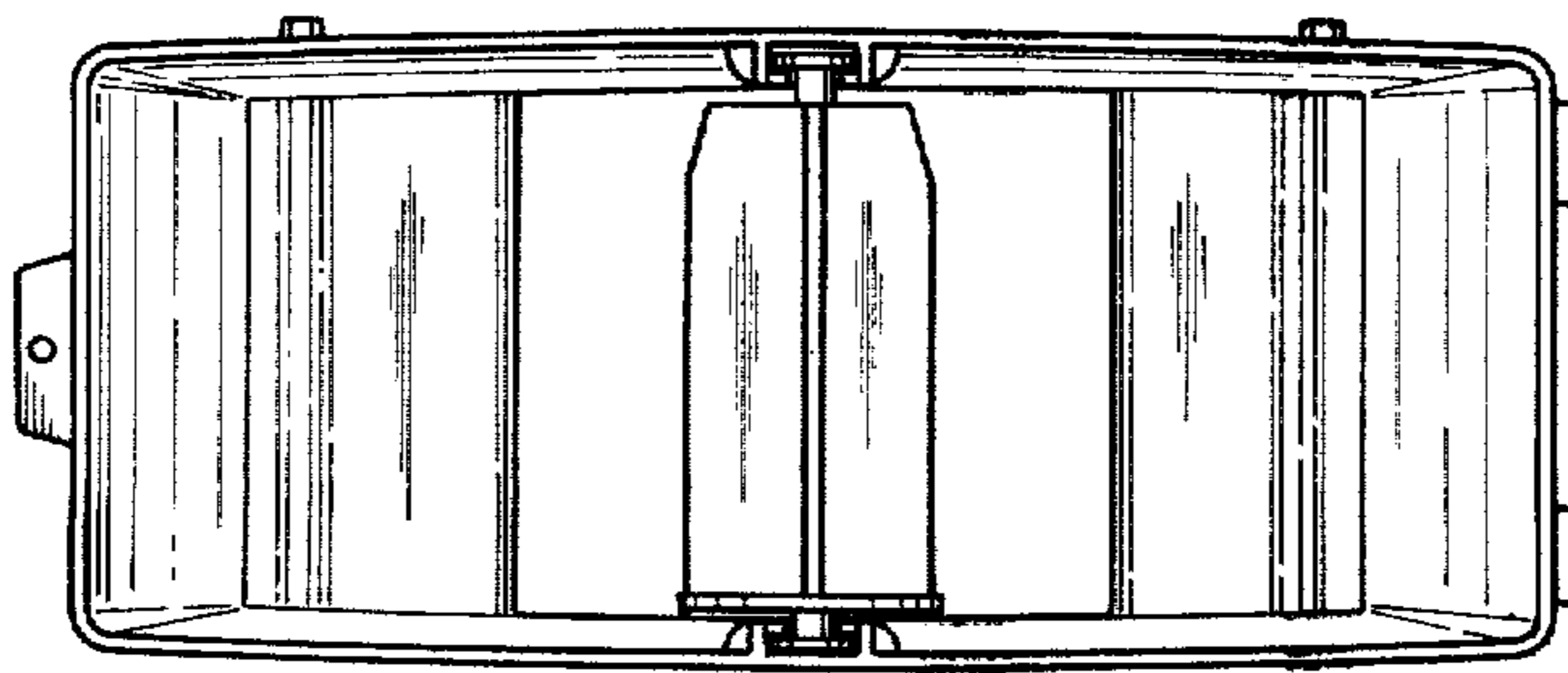


FIG. 6

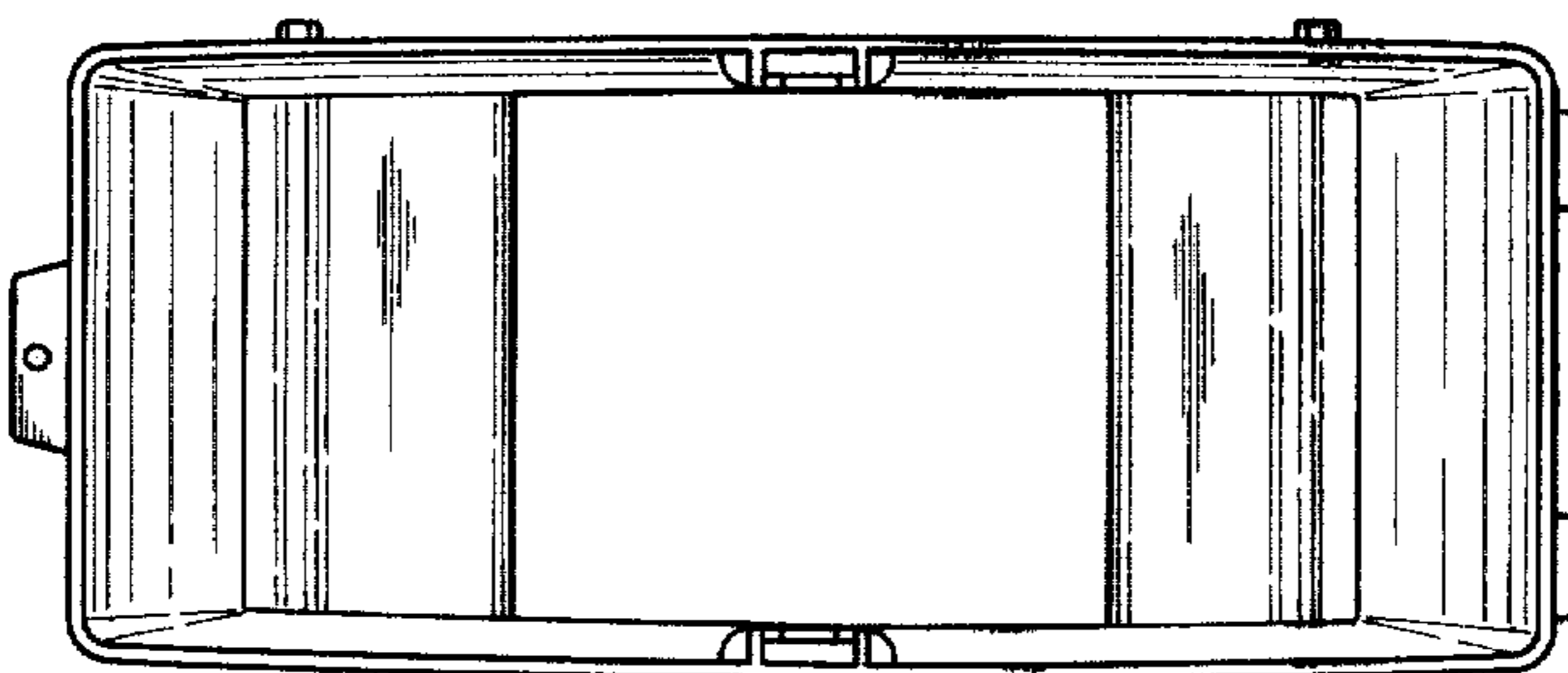


FIG. 7