

[54] COMBINED PATTERN READER AND PLACE MARKER

[76] Inventor: Josephine L. Ciavarella, 3229 Main St., Mineral Ridge, Ohio 44440

[\*\*] Term: 14 Years

[21] Appl. No.: 191,862

[22] Filed: Sep. 29, 1980

[51] Int. Cl. .... D2-99

[52] U.S. Cl. .... D3/18

[58] Field of Search ..... D10/61, 62, 64, 70; D3/18; D19/34; 33/141 R, 141 E, 141.5, 142, 427; 116/240; 434/95, 410; 350/241

[56] References Cited

U.S. PATENT DOCUMENTS

D. 170,467	9/1953	Kremin	.....	D19/34
D. 177,805	5/1956	Greenblatt	.....	D19/34
D. 214,756	7/1969	Kenworthy	.....	D10/70
D. 252,615	8/1979	Lopez	.....	D10/62
1,353,279	9/1920	Schuchness	.....	116/240
2,475,698	7/1949	Croker	.....	434/410

2,585,421	2/1952	Dumais	.....	116/240
2,674,972	4/1954	Luther	.....	D19/34 X
2,826,959	3/1958	Schneider	.....	350/241
4,302,192	11/1981	Hamburger	.....	116/240 X

FOREIGN PATENT DOCUMENTS

2751620 5/1978 Fed. Rep. of Germany .... 33/141 R

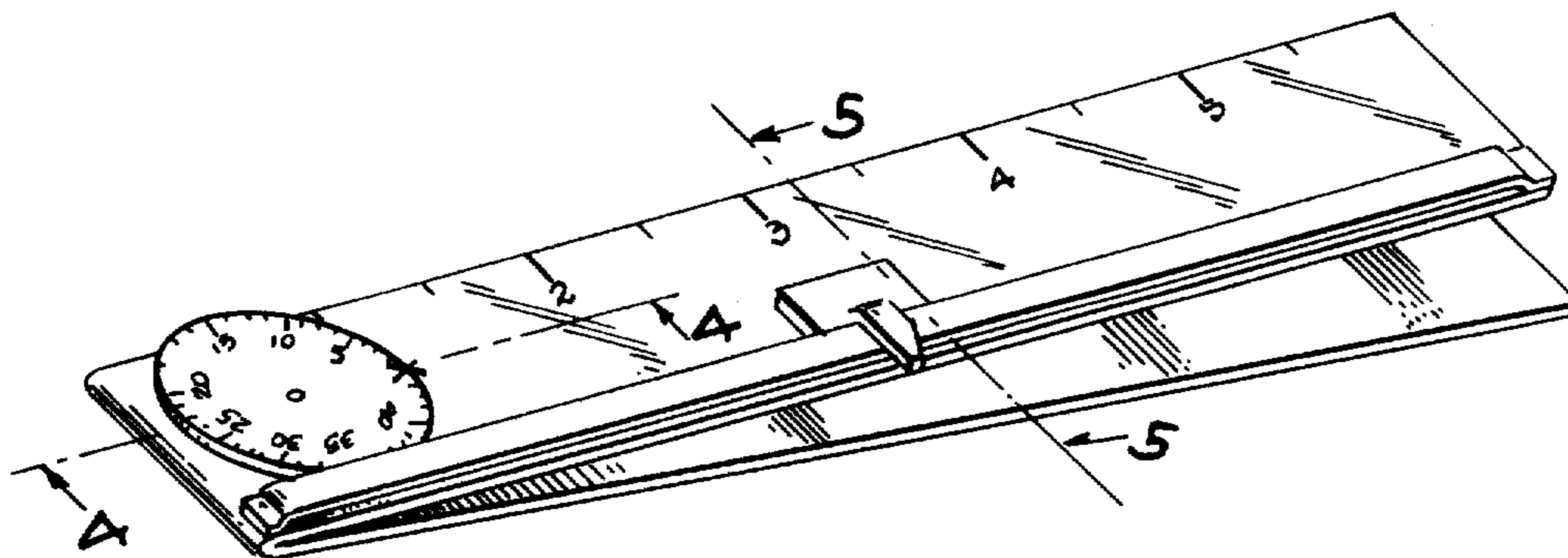
Primary Examiner—Nelson C. Holtje  
Attorney, Agent, or Firm—Michael Williams

[57] CLAIM

The ornamental design for a combined pattern reader and place marker, substantially as shown and described.

DESCRIPTION

FIG. 1 is a top, front perspective view of a combined pattern reader and place marker showing my new design with the legs slightly spread;  
FIG. 2 is a top plan view thereof;  
FIG. 3 is a bottom plan view thereof;  
FIG. 4 is a fragmentary sectional view as taken from line 4-4 of FIG. 1;  
FIG. 5 is an enlarged fragmentary sectional view as taken from line 5-5 of FIG. 1.



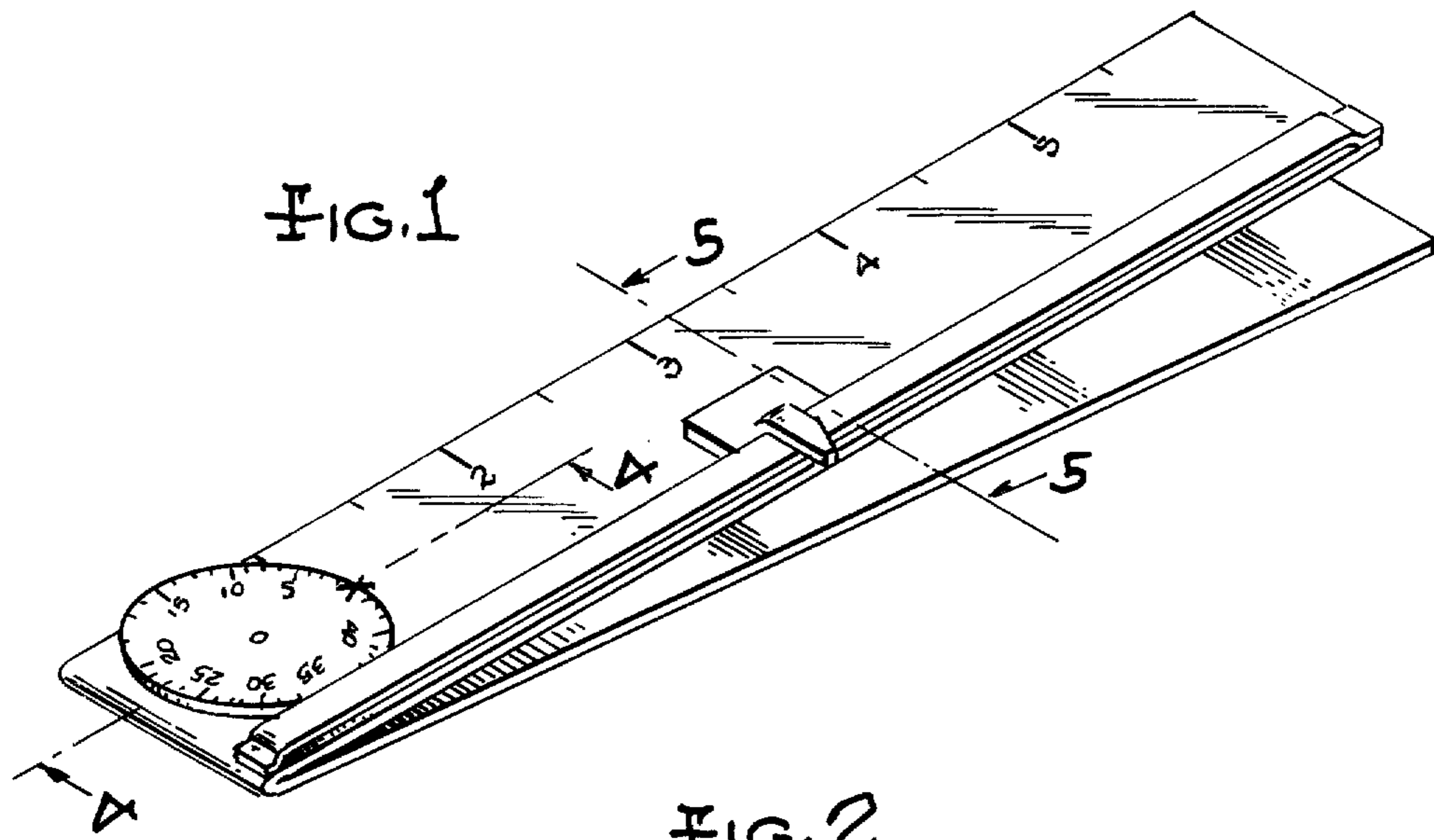


FIG. 2.

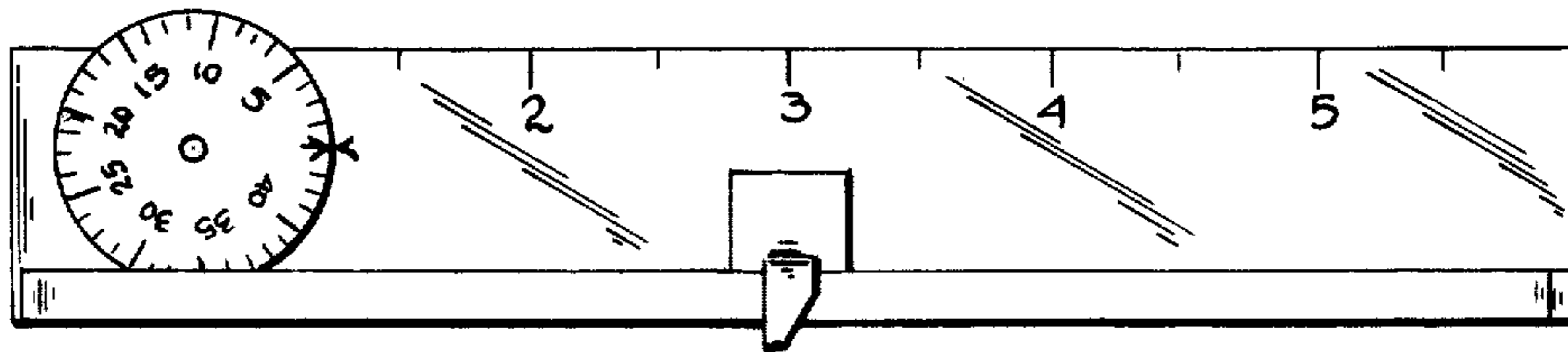


FIG. 3.

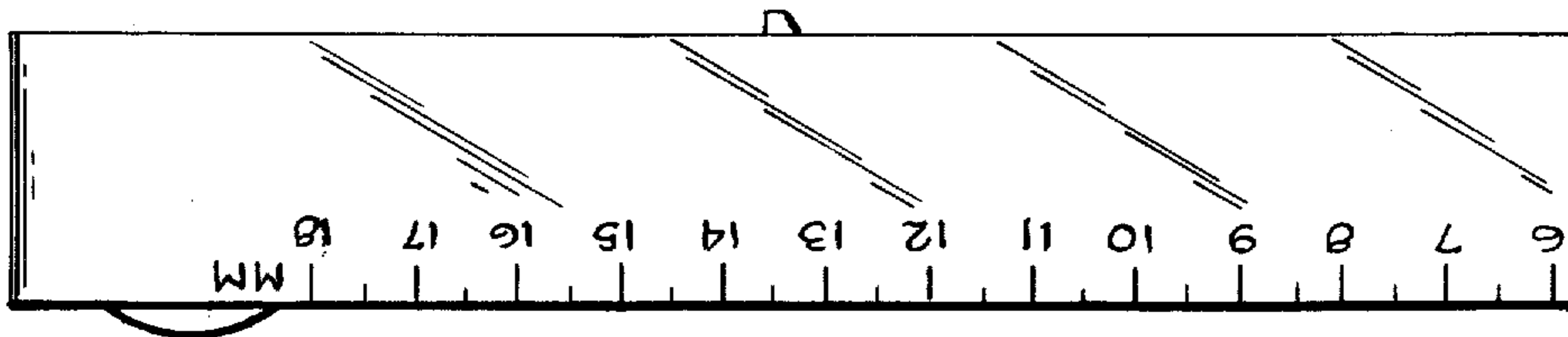


FIG. 4.

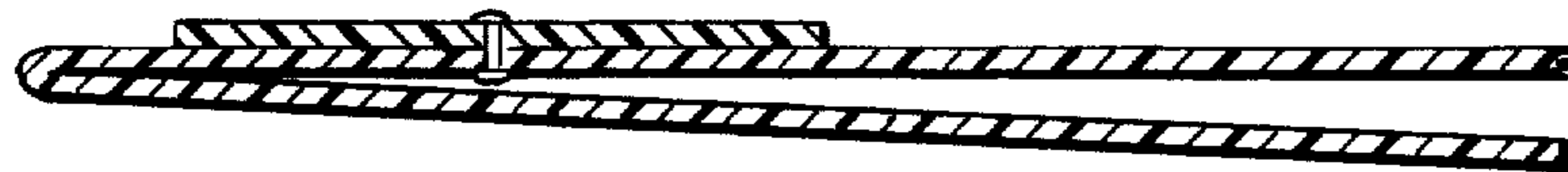


FIG. 5.

