

[54] MASONRY BLOCK

[76] Inventor: Richard Miniere, 685 Minnesota Ave., Winter Park, Fla. 32789

[**] Term: 14 Years

[21] Appl. No.: 160,022

[22] Filed: Jun. 16, 1980

[51] Int. Cl. D25-01

[52] U.S. Cl. D25/97; D25/80; D25/92

[58] Field of Search 52/606, 302, 596; D25/38, 40, 43, 44, 50, 80, 86, 87, 92, 97; 98/29

[56] References Cited

U.S. PATENT DOCUMENTS

D. 187,267 2/1960 Marsh D25/97

405,429 6/1889 Missud 52/606 X
786,250 3/1905 Dunham 52/606 X
2,484,062 10/1949 Abbott D25/86 X
2,506,563 5/1950 Abbott D25/86 X

Primary Examiner—A. Hugo Word
Attorney, Agent, or Firm—Duckworth, Allen, Dyer & Pettis

[57] CLAIM

The ornamental design for a masonry block, as shown.

DESCRIPTION

FIG. 1 is a top perspective view of a masonry block in accordance with the present invention;
FIG. 2 is a bottom perspective view thereof;
FIG. 3 is a side elevation;
FIG. 4 is an end elevation;
FIG. 5 is a bottom elevation; and
FIG. 6 is a top elevation.

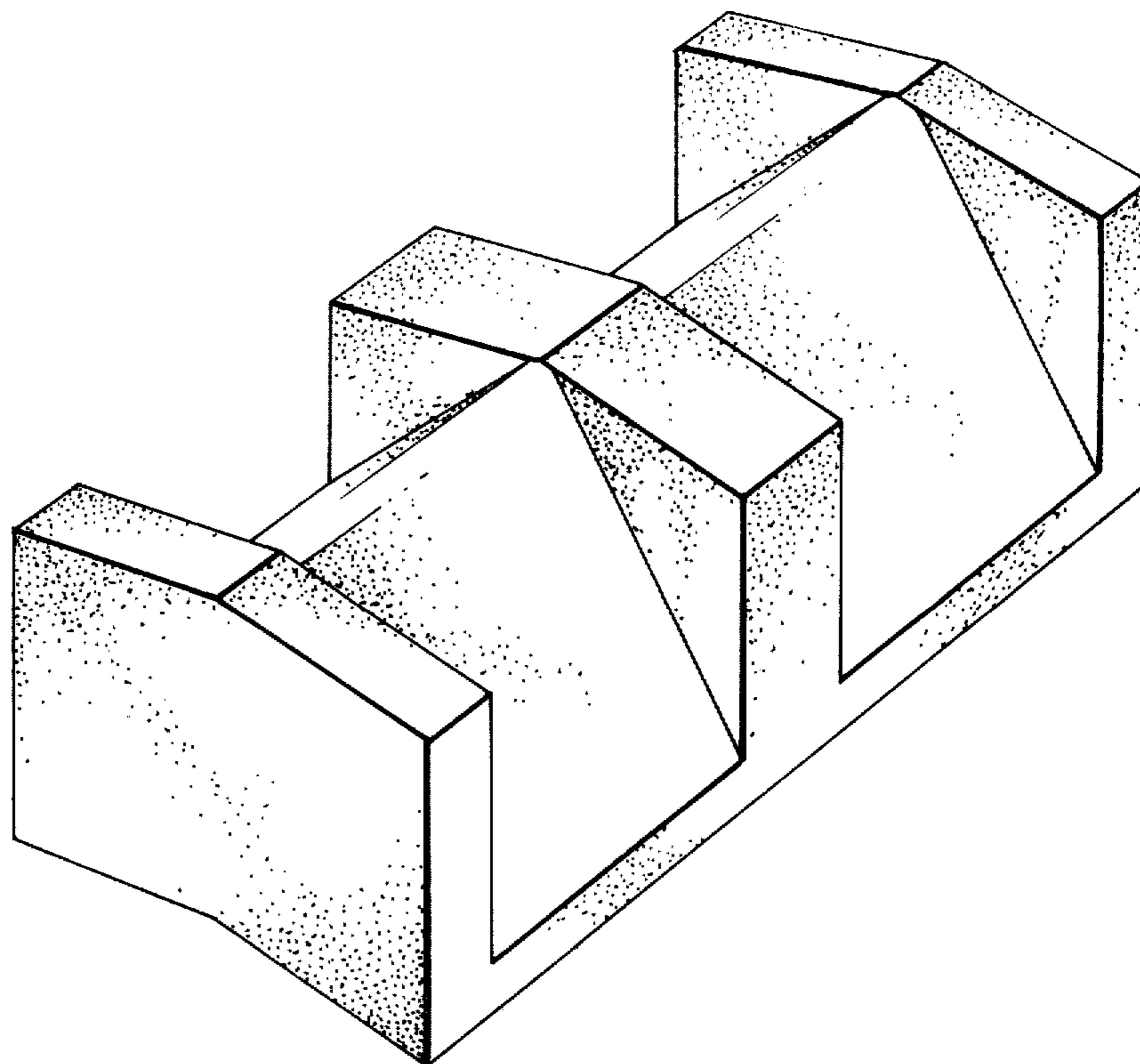


FIG. 1

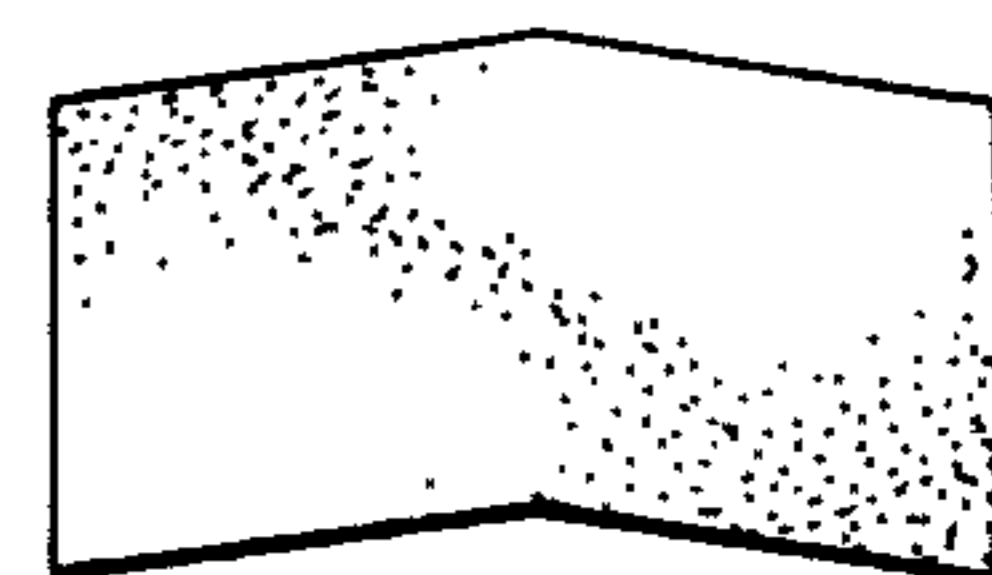
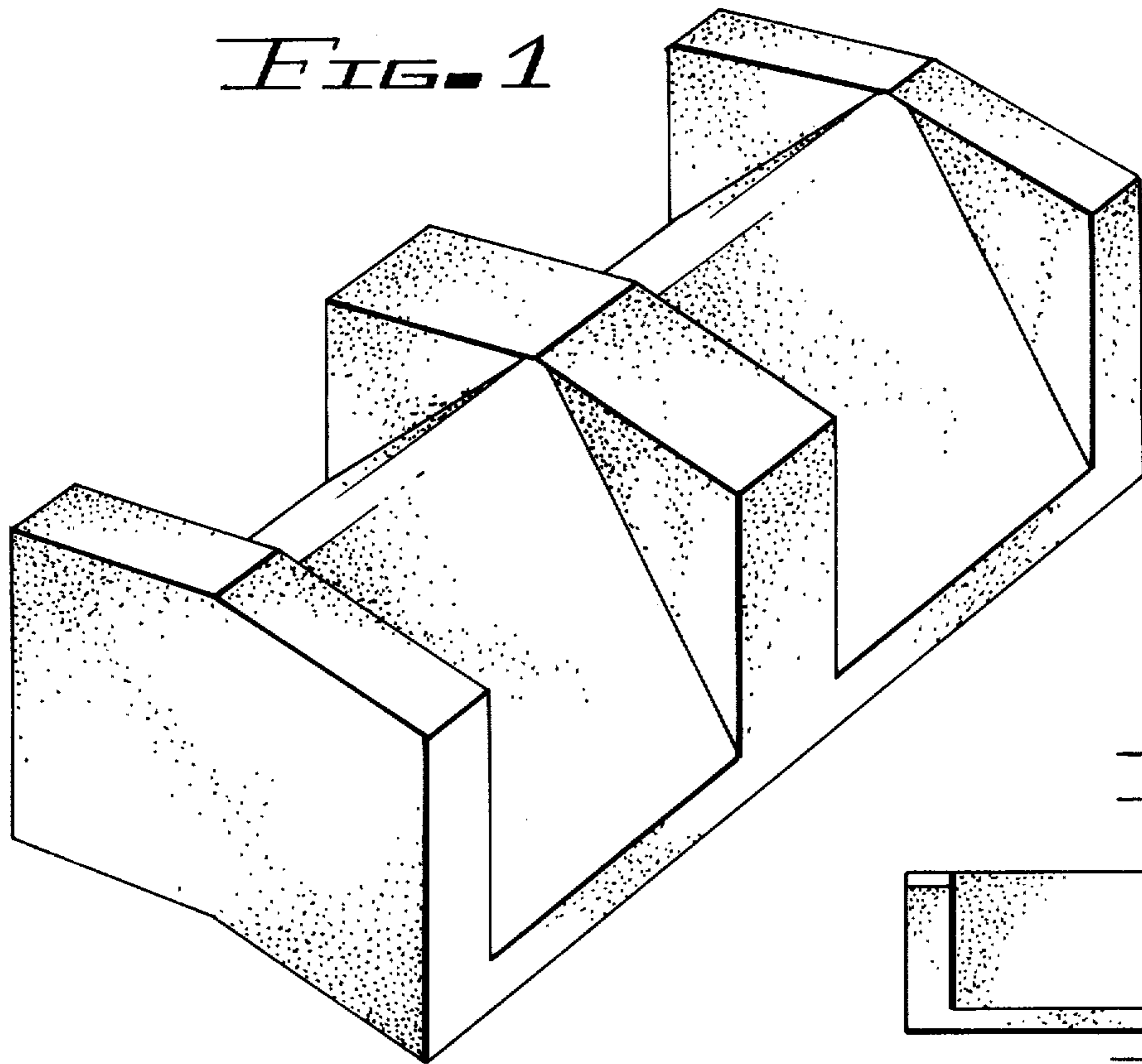


FIG. 4



FIG. 3

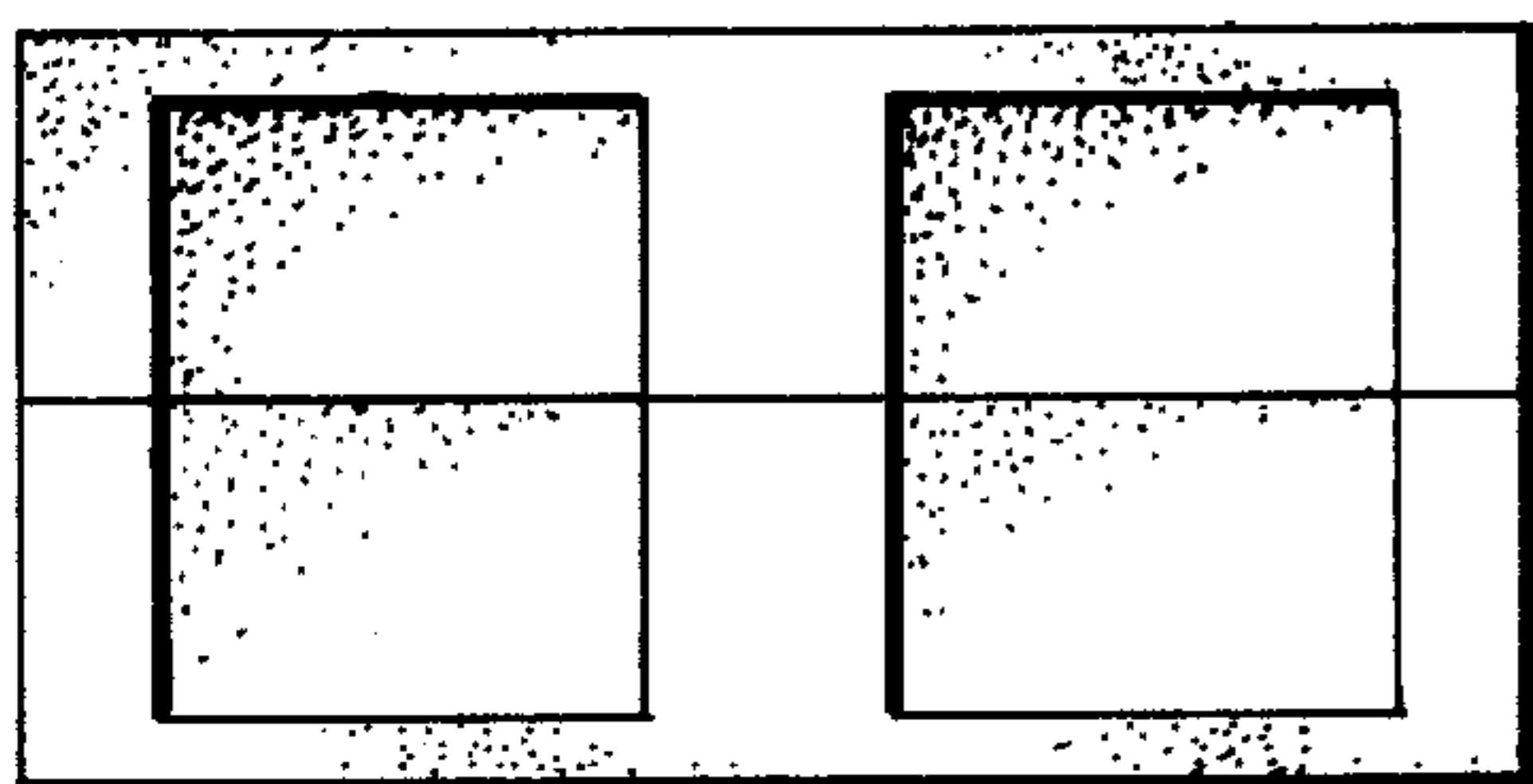


FIG. 5

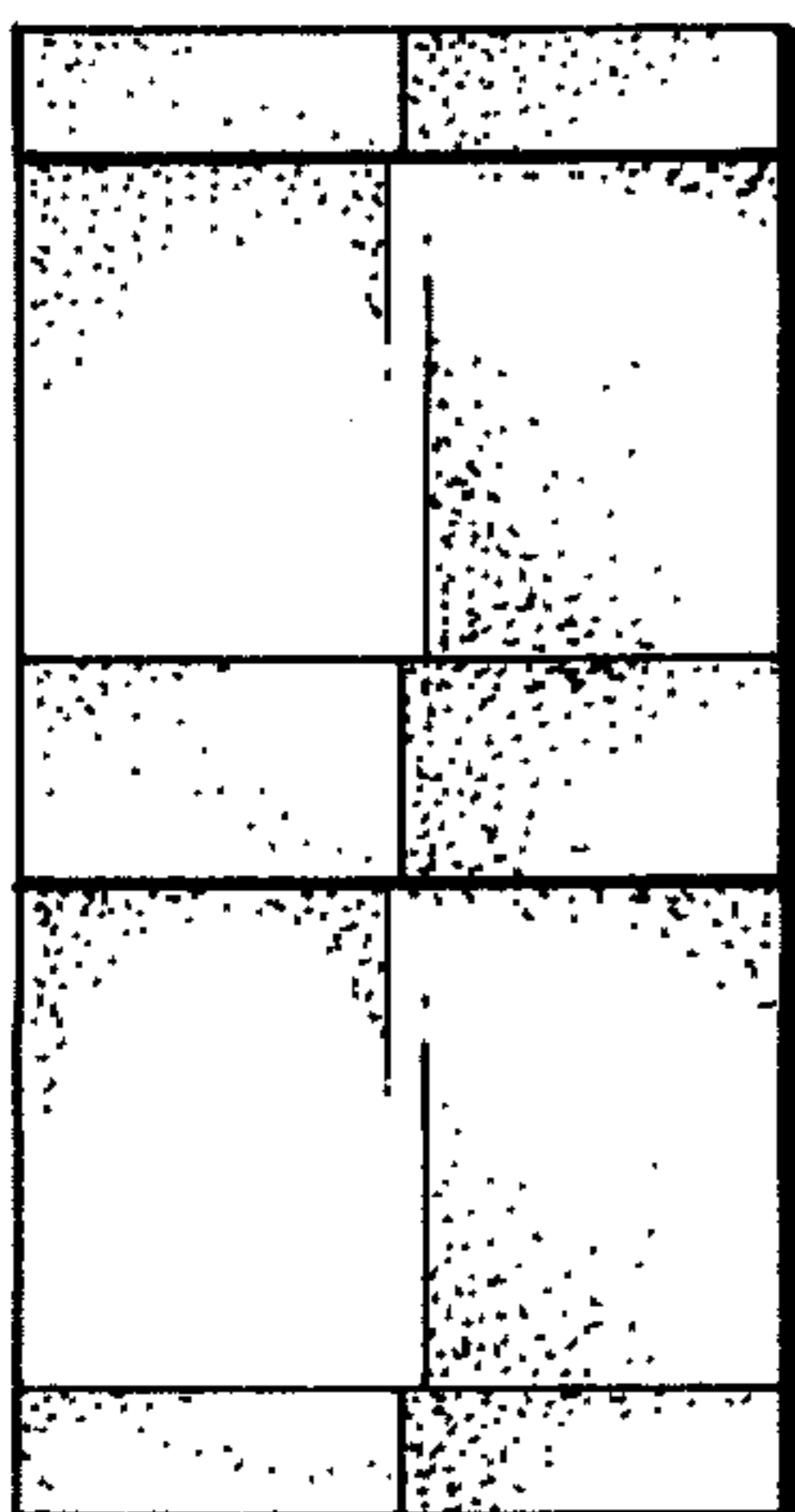


FIG. 6

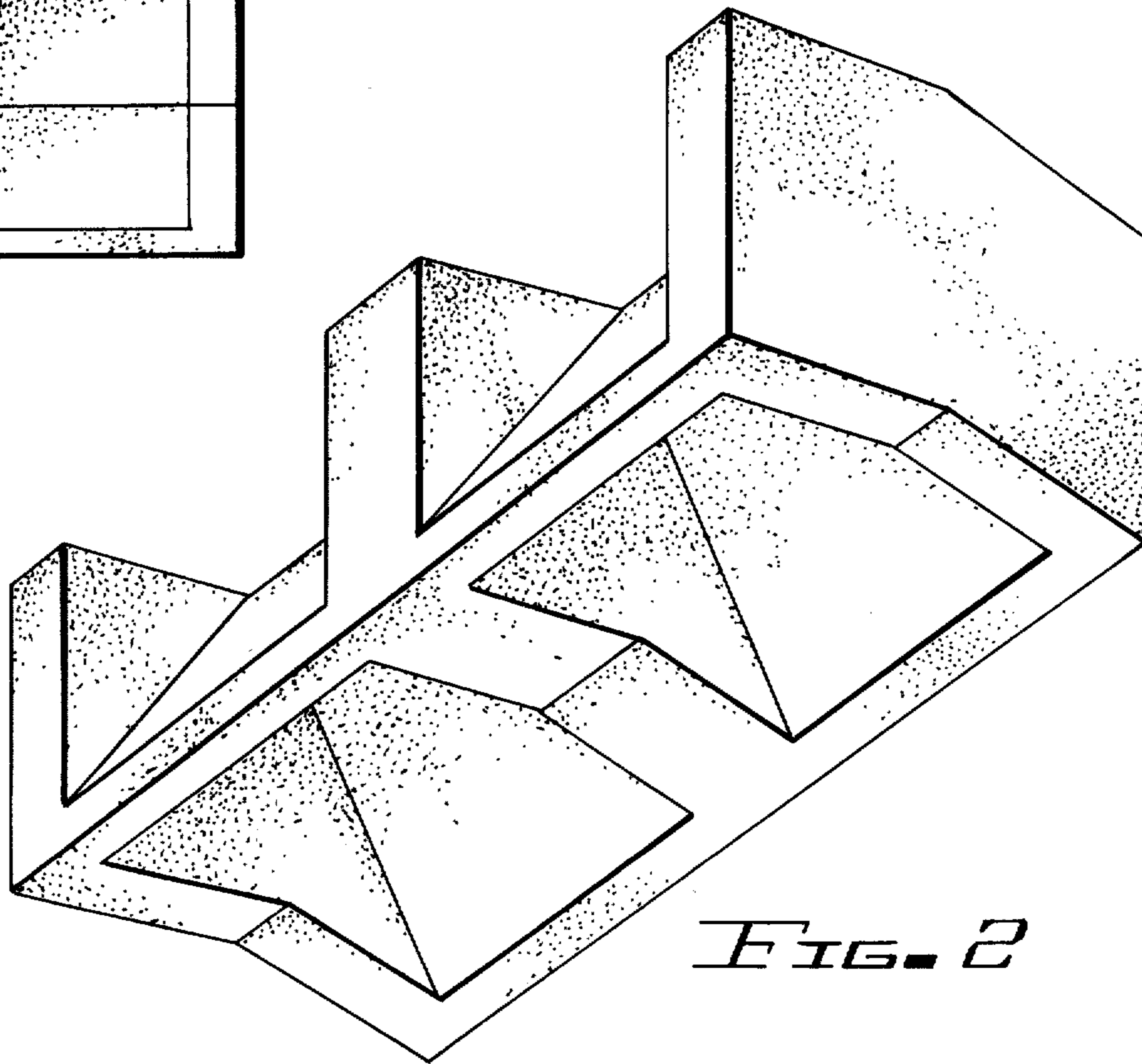


FIG. 2