

[54] CONSTRUCTION BEAM

[76] Inventor: Abraham C. Bissu, Av. de las fuentes No. 295, Techamachalco, Estado de Mexico, Mexico

[**] Term: 14 Years

[21] Appl. No.: 166,954

[22] Filed: Jul. 9, 1980

[30] Foreign Application Priority Data

Jan. 10, 1980 [MX] Mexico 2994

[51] Int. Cl. D25-01

[52] U.S. Cl. D25/74; D25/77; D25/78

[58] Field of Search 52/732, 735, 729, 634; D25/73, 74, 75, 76, 77, 78

[56] References Cited

U.S. PATENT DOCUMENTS

D. 229,400 11/1973 Ashley D25/77

| | | | |
|-----------|---------|-------------|----------|
| 2,157,233 | 5/1939 | Geib, Jr. | 52/732 |
| 2,371,921 | 3/1945 | Tucker | D25/74 X |
| 3,349,535 | 10/1967 | Balinski | 52/634 |
| 3,381,439 | 5/1968 | Thulin, Jr. | 52/634 X |
| 3,461,638 | 8/1969 | Balinski | 52/732 |
| 3,908,328 | 9/1975 | Nelsson | 52/735 |
| 4,194,336 | 3/1980 | Weinar | 52/735 X |

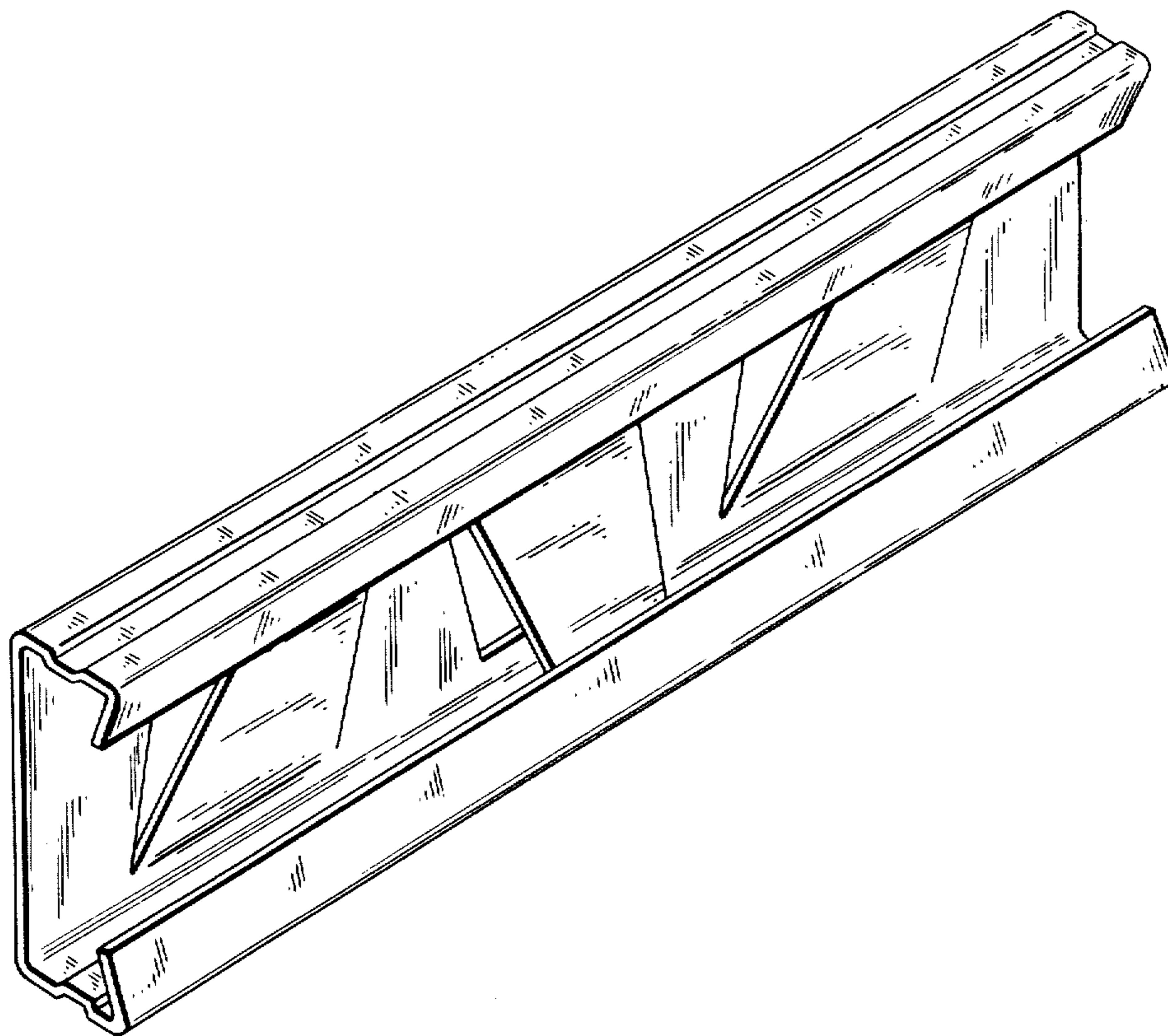
Primary Examiner—A. Hugo Word
Attorney, Agent, or Firm—Ostrolenk, Faber, Gerb & Soffen

[57] CLAIM

The ornamental design for a construction beam, as shown.

DESCRIPTION

FIG. 1 is a perspective view of a construction beam showing my new design;
FIG. 2 is an end elevational view thereof;
FIG. 3 is a front view thereof viewed in the direction of arrow 3 of FIG. 2; and
FIG. 4 is a rear view thereof viewed in the direction of arrow 4 of FIG. 2.



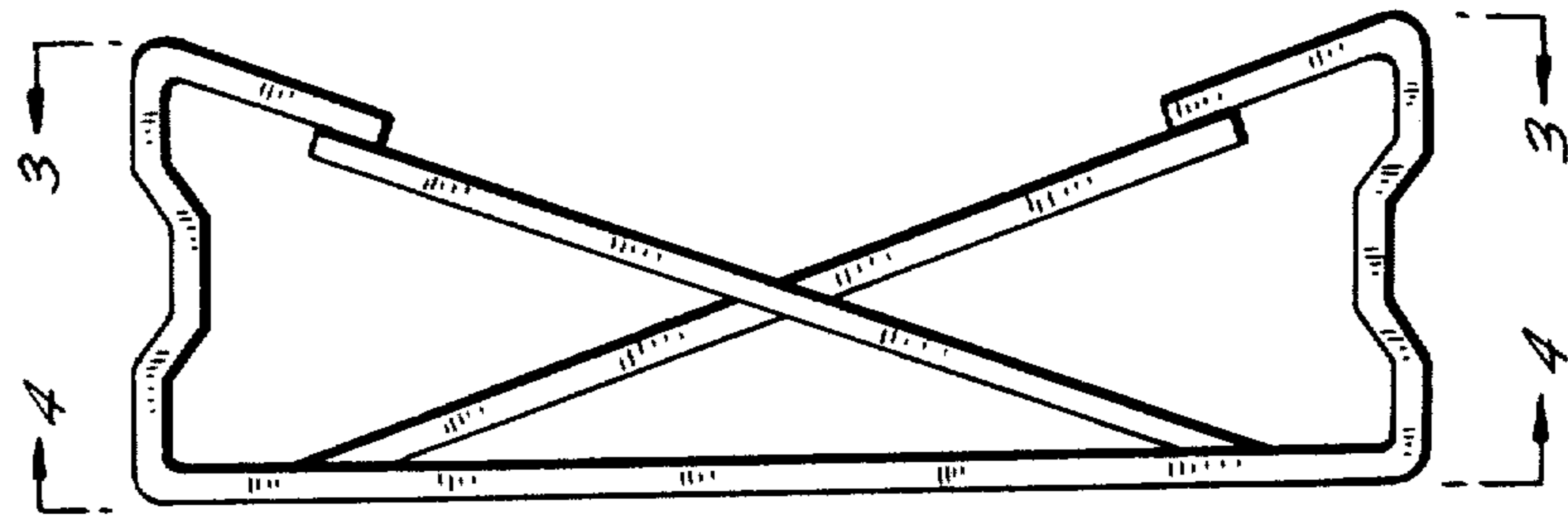


FIG. 2.

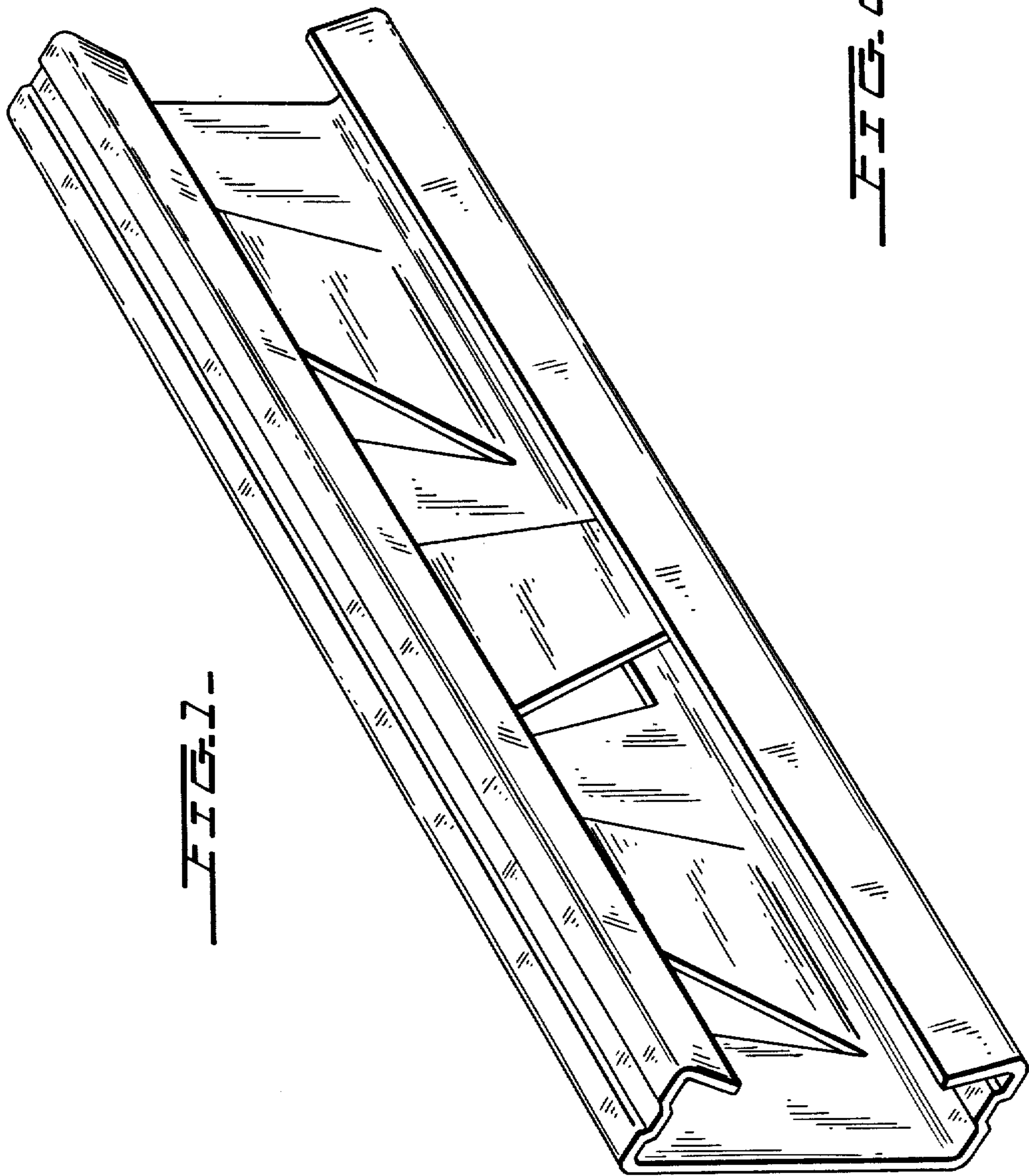


FIG. 1.

FIG. 3.

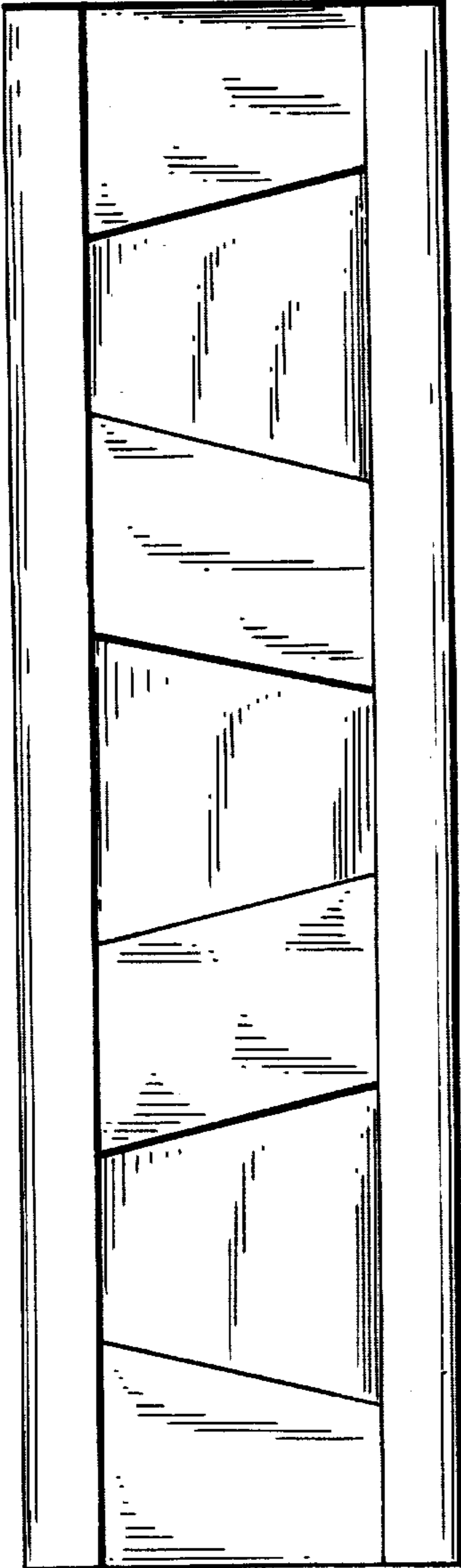


FIG. 4.

