

[54] EXPANSION JOINT SEALING STRIP FOR ROADWAY JOINTS AND THE LIKE

[75] Inventor: William E. Bowman, Englewood, Colo.

[73] Assignee: Bowman Construction Supply, Inc., Denver, Colo.

[**] Term: 14 Years

[21] Appl. No.: 164,012

[22] Filed: Jun. 30, 1980

[51] Int. Cl. D25-01

[52] U.S. Cl. D25/74

[58] Field of Search 404/65, 68, 69, 64; 52/573; D25/73, 74

[56] References Cited

U.S. PATENT DOCUMENTS

3,128,576 4/1964 Bradley 404/64 X
3,994,609 11/1976 Puccio 404/69

4,179,226 12/1979 Puccio 404/64

FOREIGN PATENT DOCUMENTS

586790 4/1977 Switzerland 404/64

Primary Examiner—A. Hugo Word

Attorney, Agent, or Firm—Mason, Fenwick & Lawrence

[57] CLAIM

The ornamental design for an expansion joint sealing strip for roadway joints and the like, as shown and described.

DESCRIPTION

FIG. 1 is a perspective view of an expansion joint sealing strip for roadway joints and the like, showing my new design;

FIG. 2 is a top plan view thereof;

FIG. 3 is an end elevation view thereof viewed from one end, the opposite end elevation being the same;

FIG. 4 is a side elevation view thereof, the opposite side elevation being the same; and

FIG. 5 is a bottom view thereof.

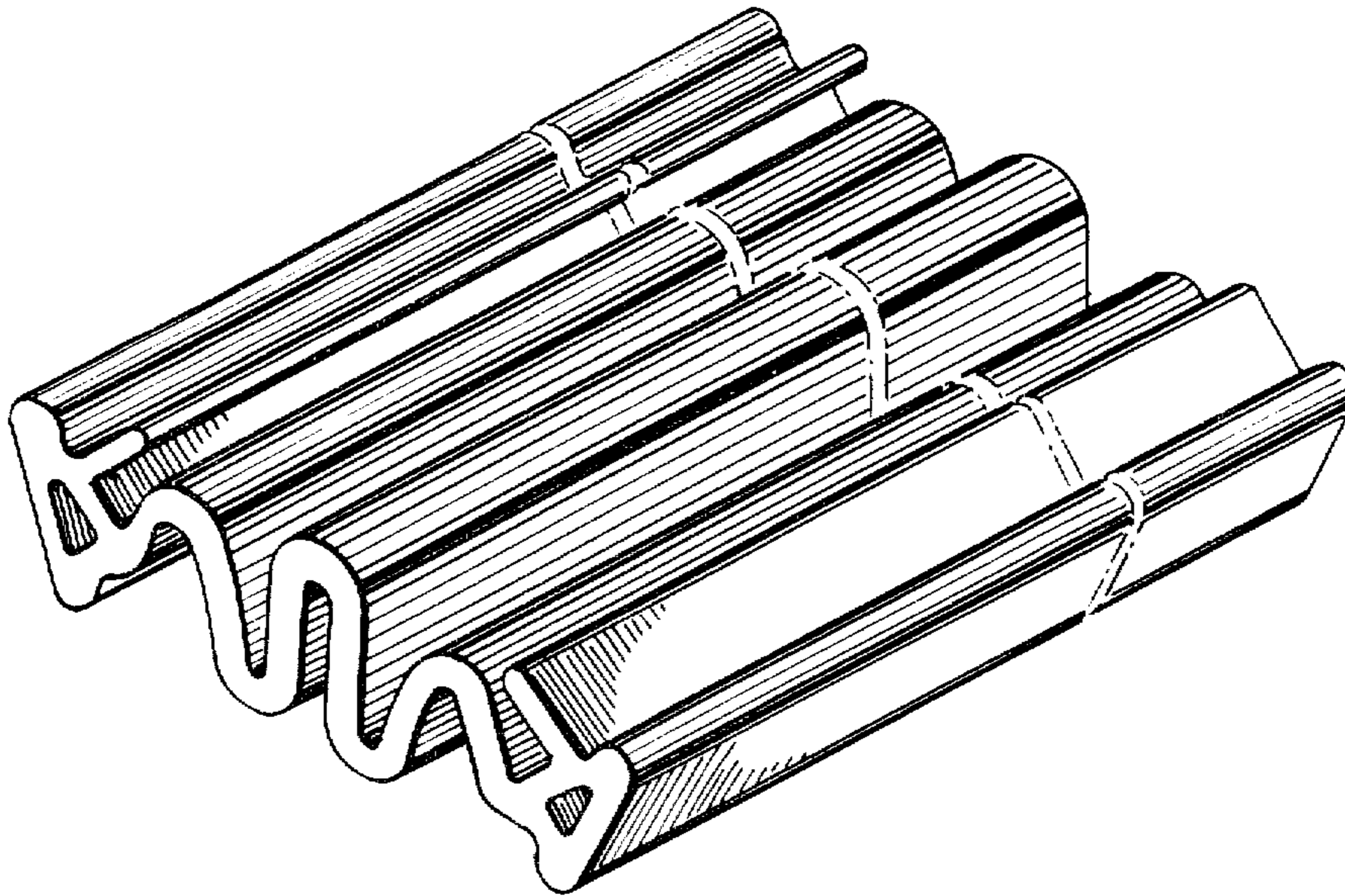


Fig-1

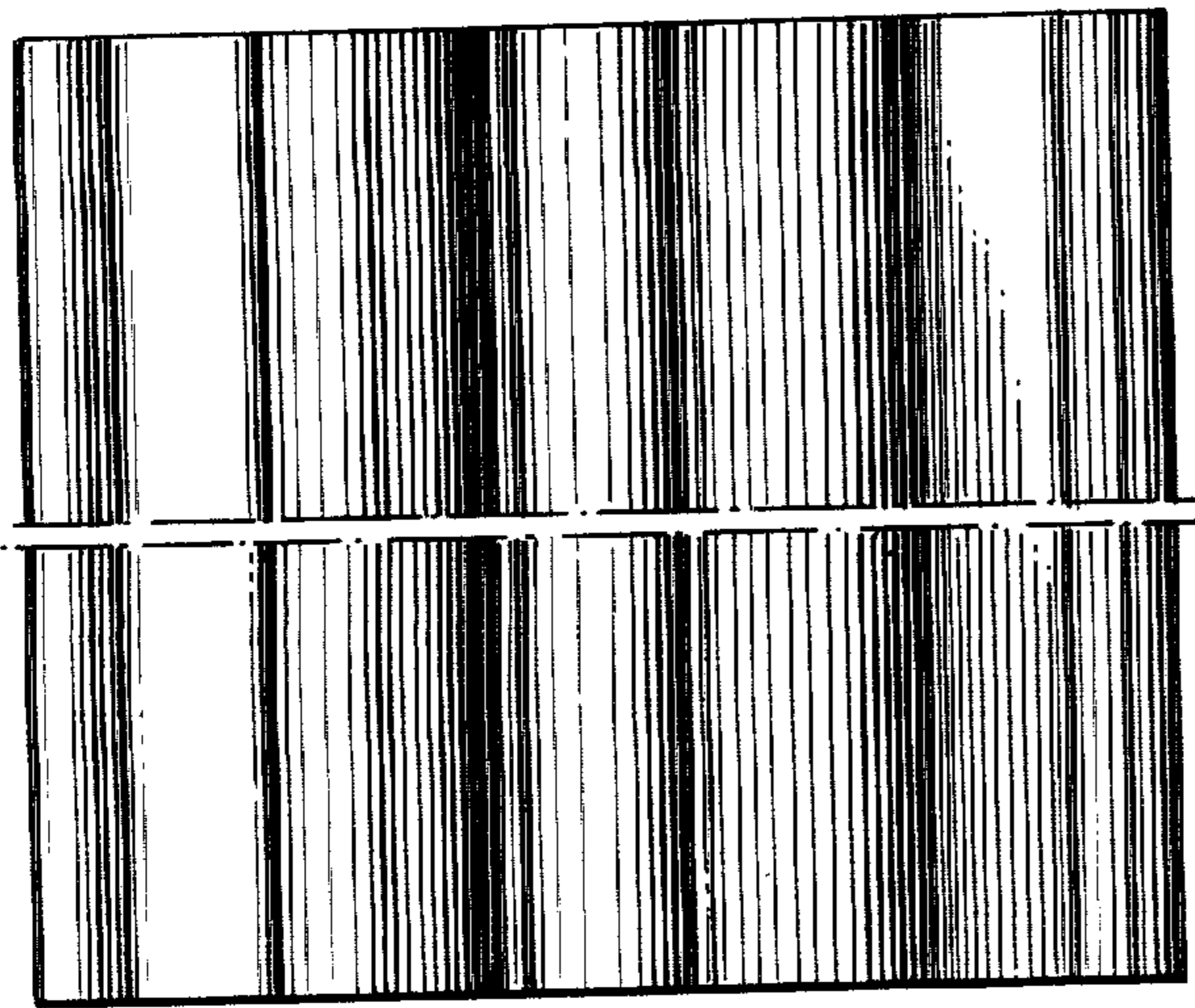
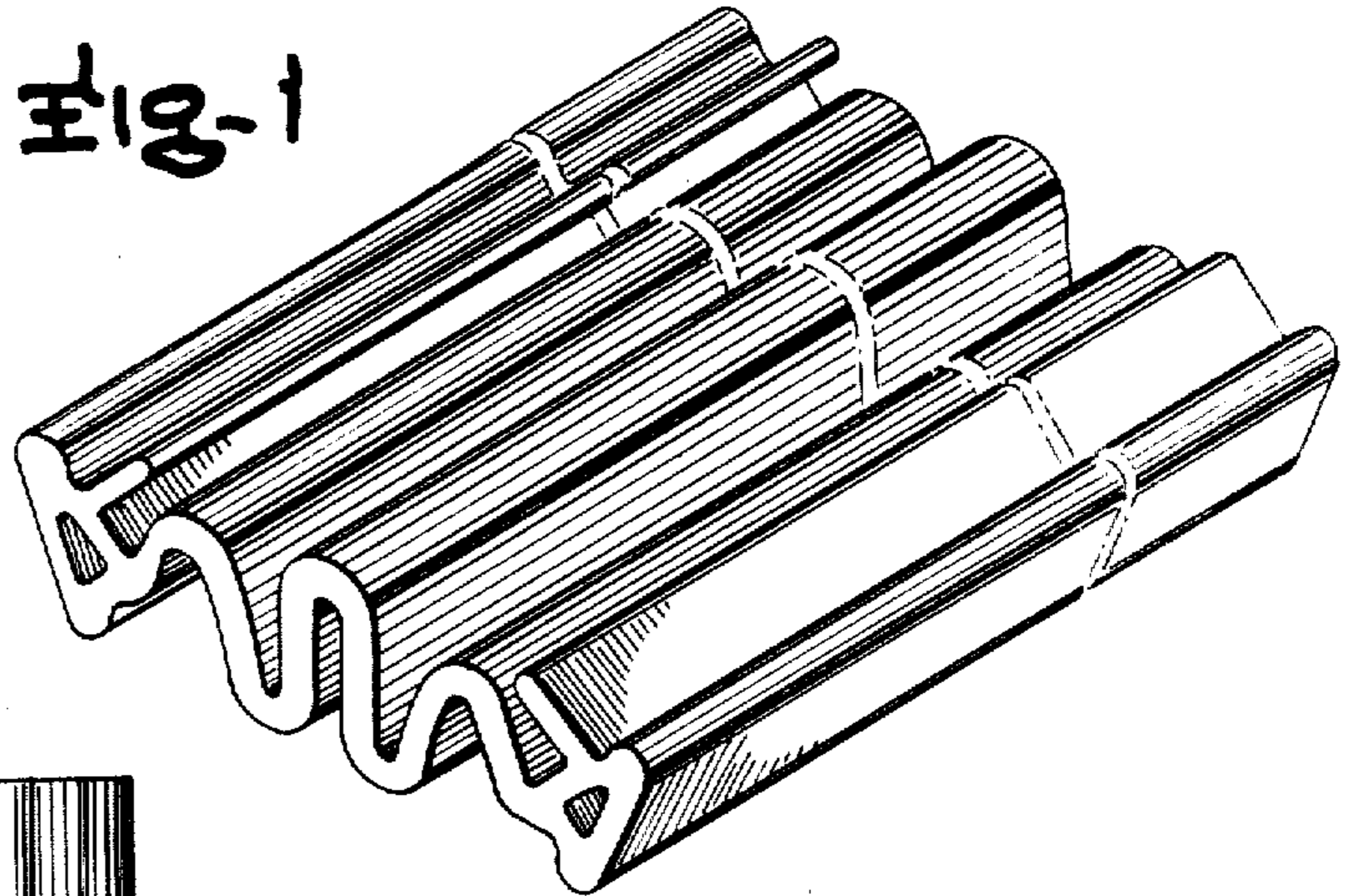


Fig-2

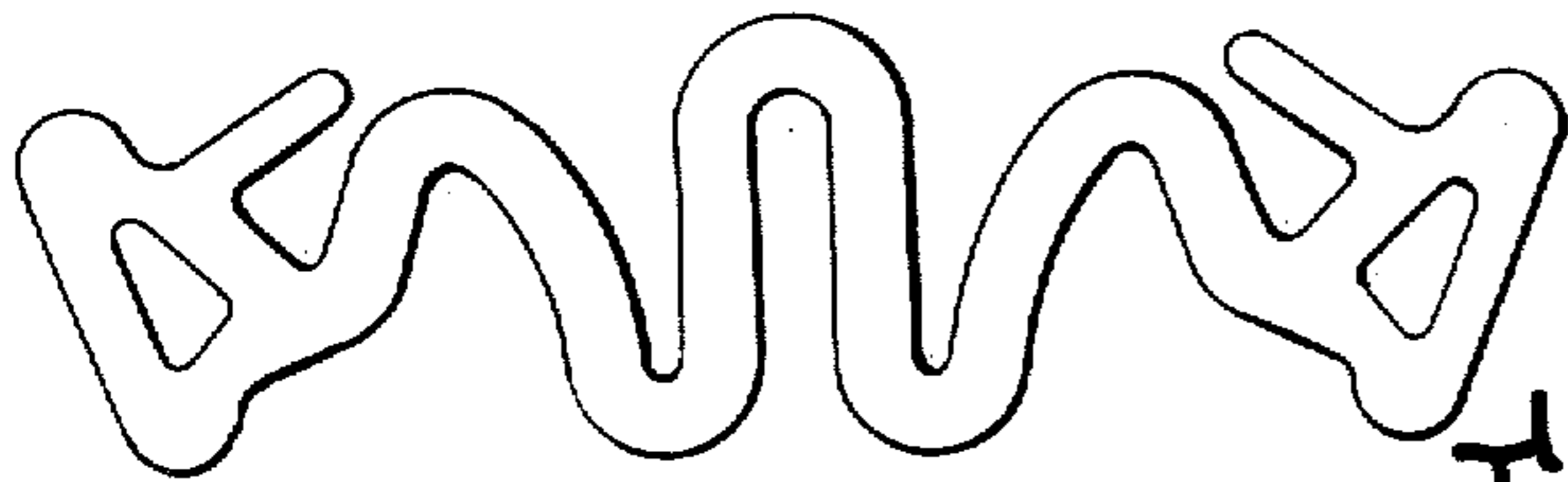


Fig-3

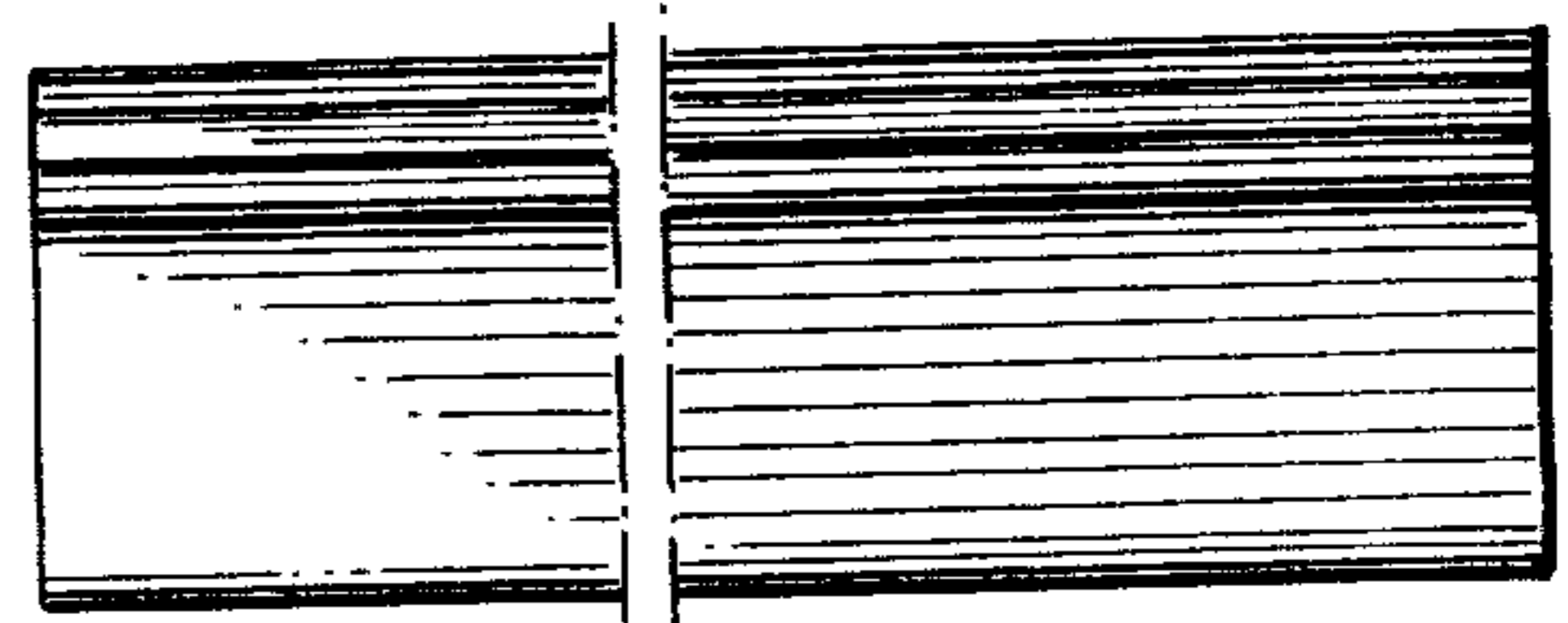


Fig-4

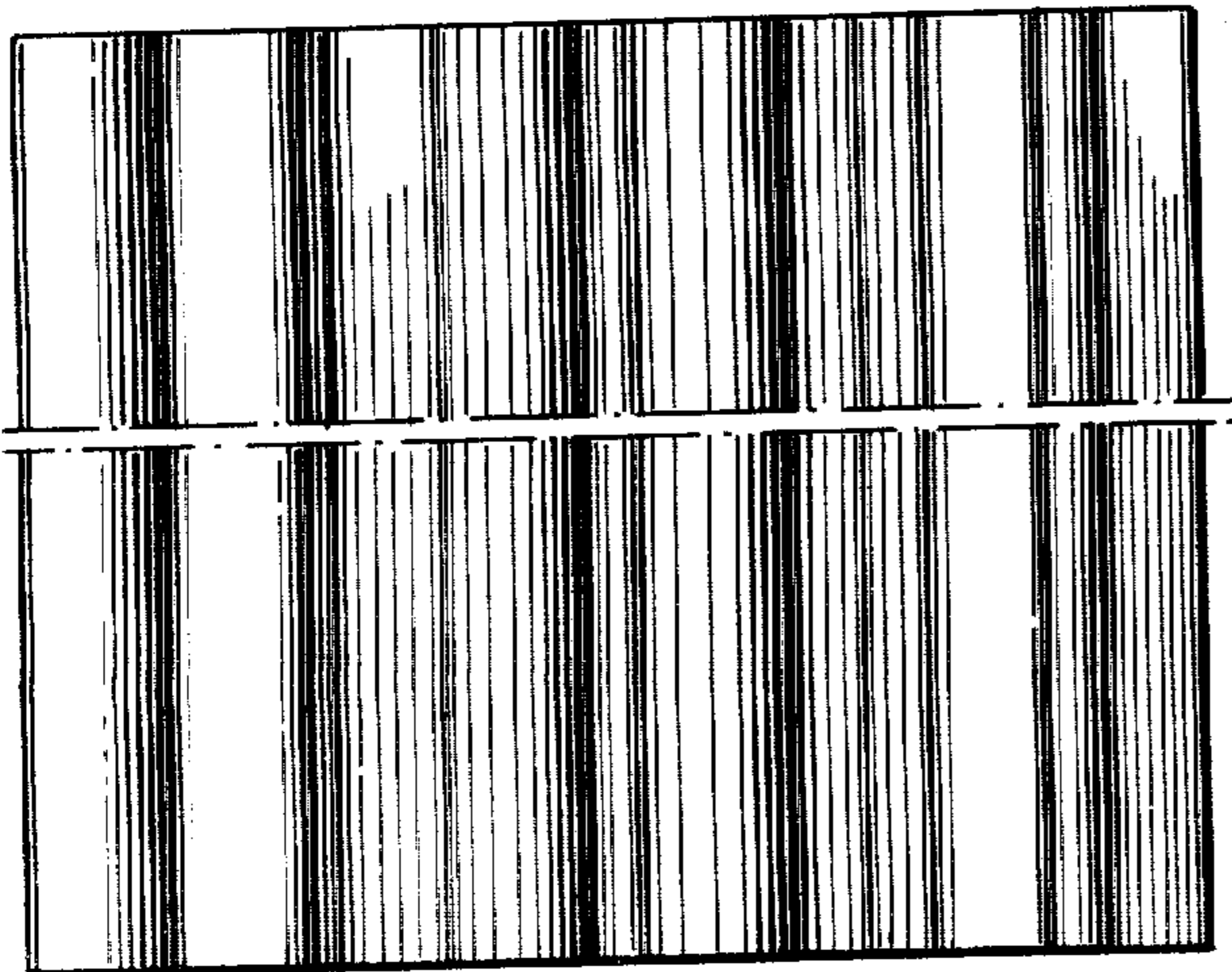


Fig-5