

[54] **CAST-IN-PLACE THRESHOLD STRUCTURE FOR OVERHEAD DOOR OPENINGS IN BUILDING WALLS, AND THE LIKE**

[76] **Inventor:** Ulyss E. Smithson, P.O. Box 1026, Elizabeth City, N.C. 27909

[**] **Term:** 14 Years

[21] **Appl. No.:** 189,795

[22] **Filed:** Sep. 22, 1980

[51] **Int. Cl.** D25-02

[52] **U.S. Cl.** D25/73

[58] **Field of Search** 49/467, 380; 52/213; D25/55, 60, 61, 70, 73, 74, 80, 87, 91, 97, 98

[56] **References Cited**

U.S. PATENT DOCUMENTS

2,999,280	9/1961	Miller	49/467
3,667,192	6/1972	Sewell	52/213
4,305,229	12/1981	Naylor	49/467 X

Primary Examiner—A. Hugo Word
Attorney, Agent, or Firm—Mason, Fenwick & Lawrence

[57] **CLAIM**

The ornamental design for a cast-in-place threshold structure for overhead door openings in building walls, and the like, as shown and described.

DESCRIPTION

FIG. 1 is a perspective from in front and above, of a cast-in-place threshold structure for overhead door openings in building walls, and the like, embodying my new design;

FIG. 2 is a perspective view thereof, from the back and below;

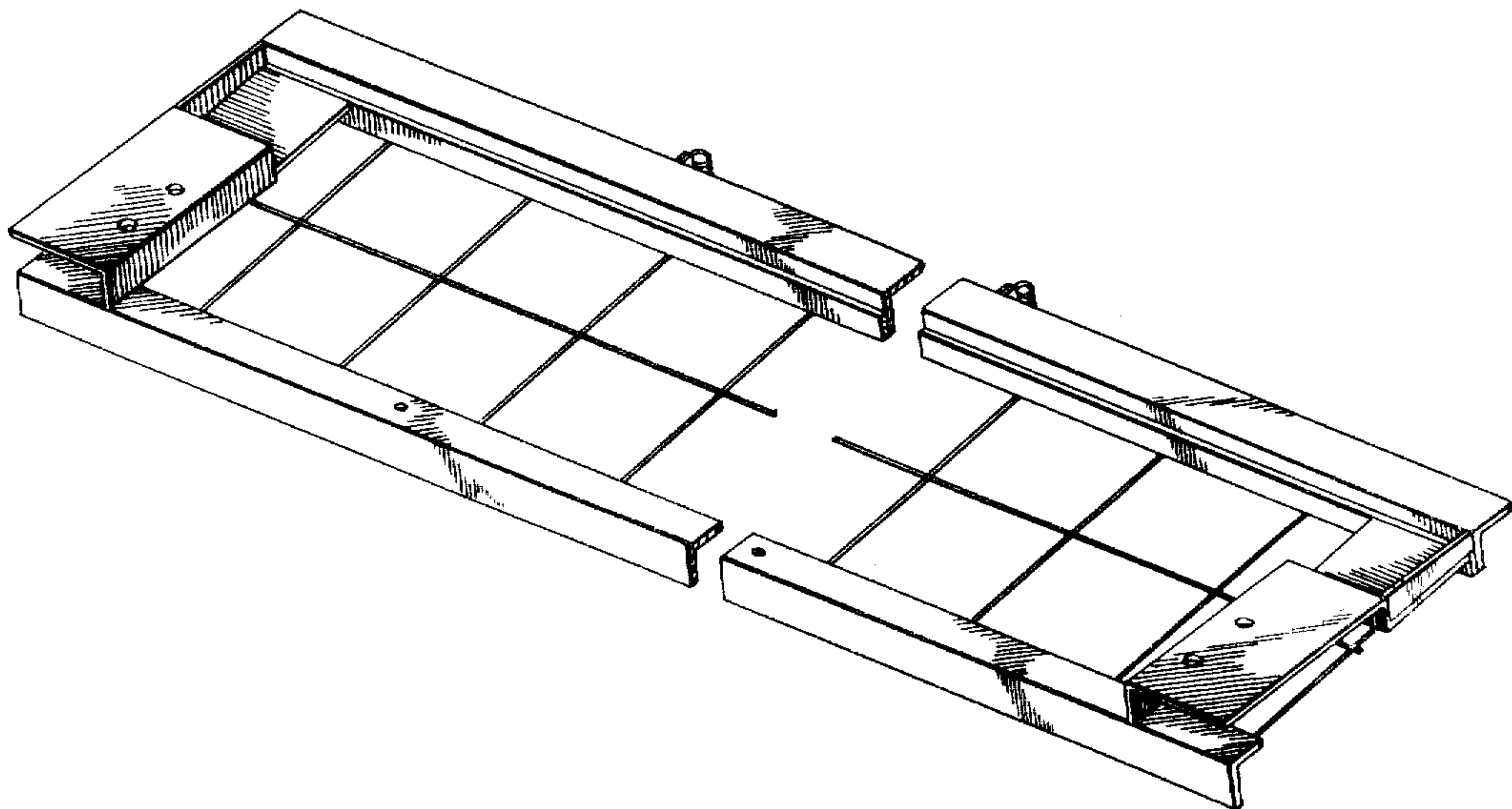
FIG. 3 is a side elevation view thereof, the opposite side elevation being substantially the mirror image thereof;

FIG. 4 is a front elevation thereof;

FIG. 5 is a top plan view thereof;

FIG. 6 is a rear elevation thereof; and

FIG. 7 is a bottom view thereof.



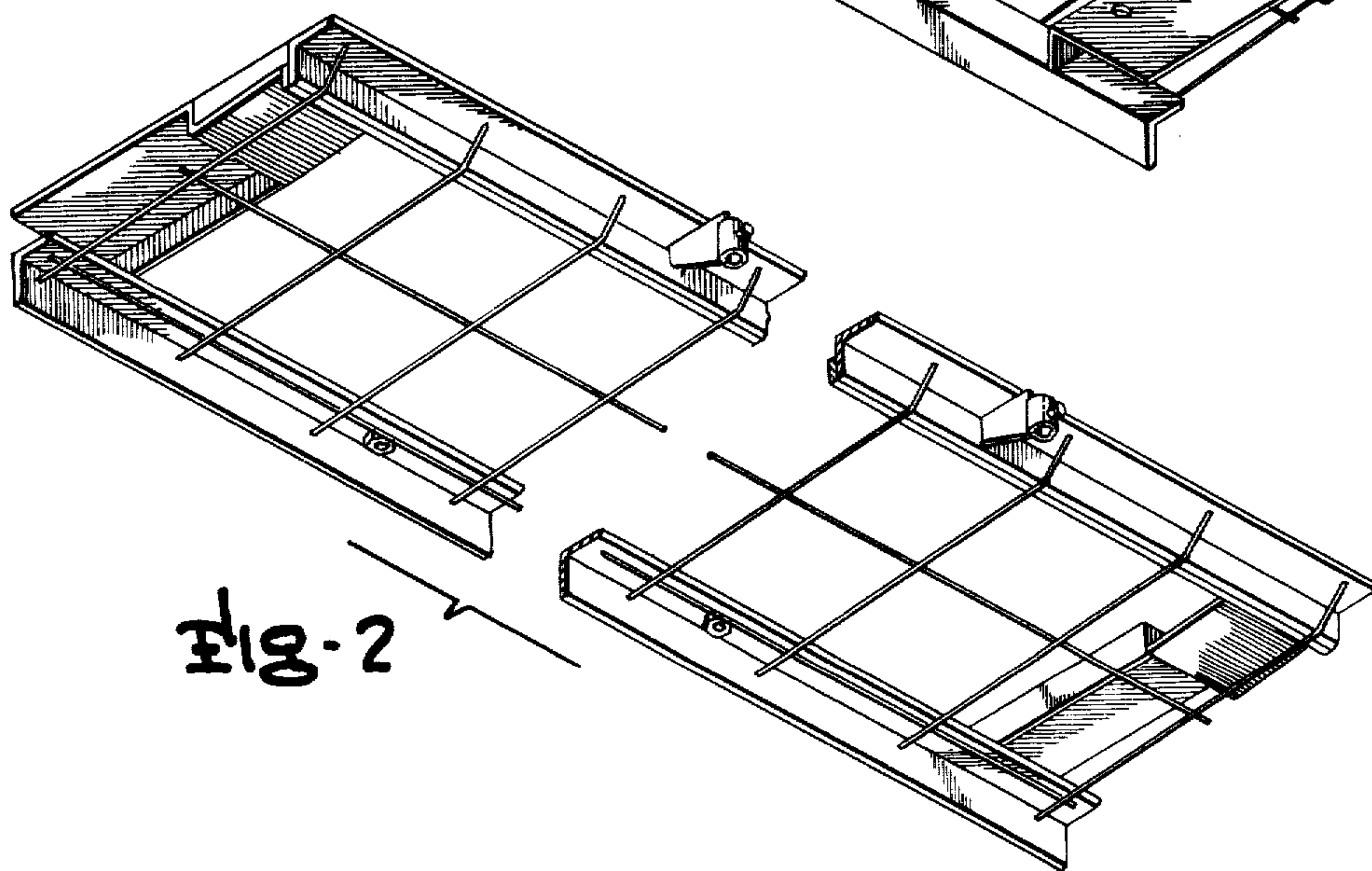
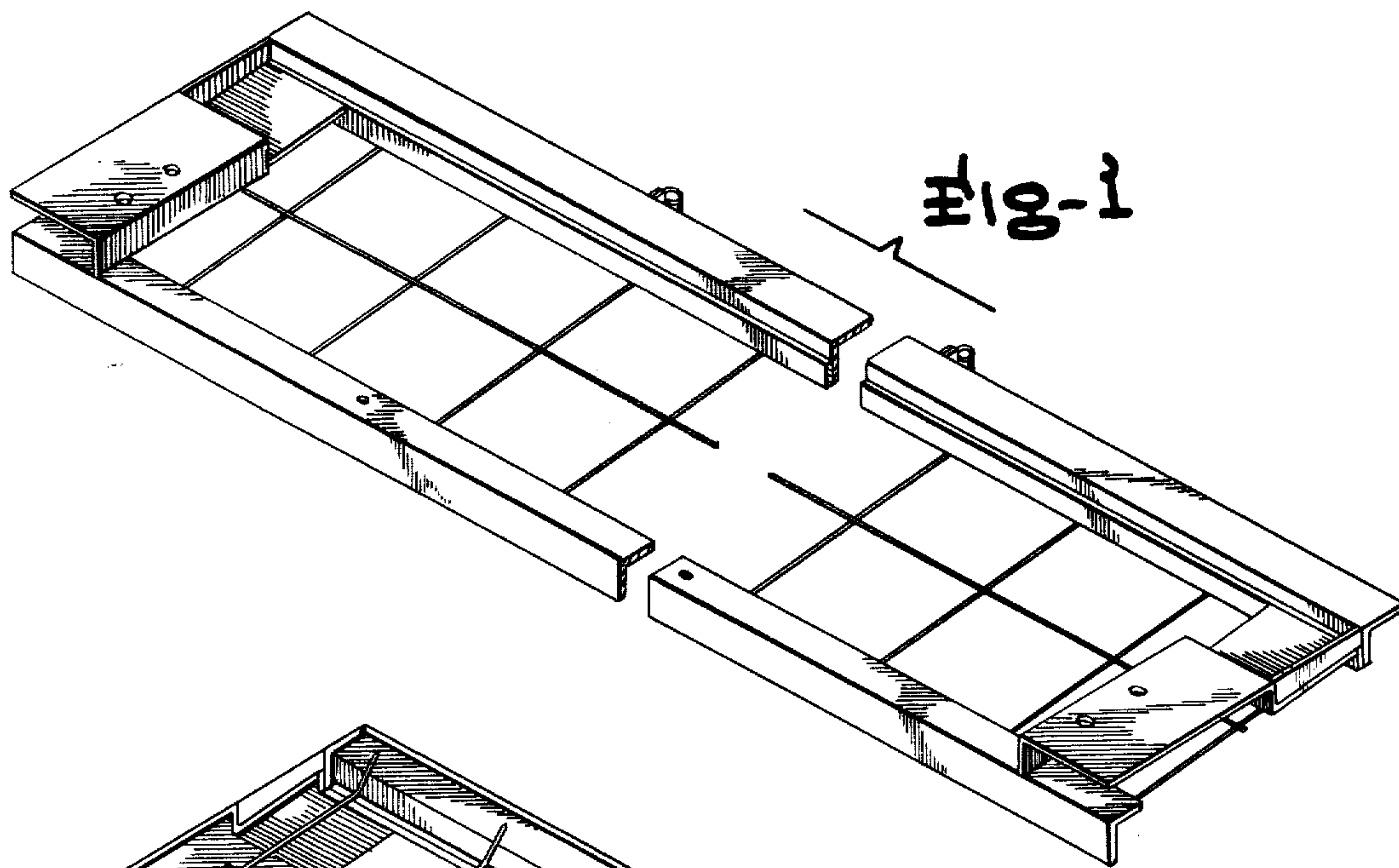
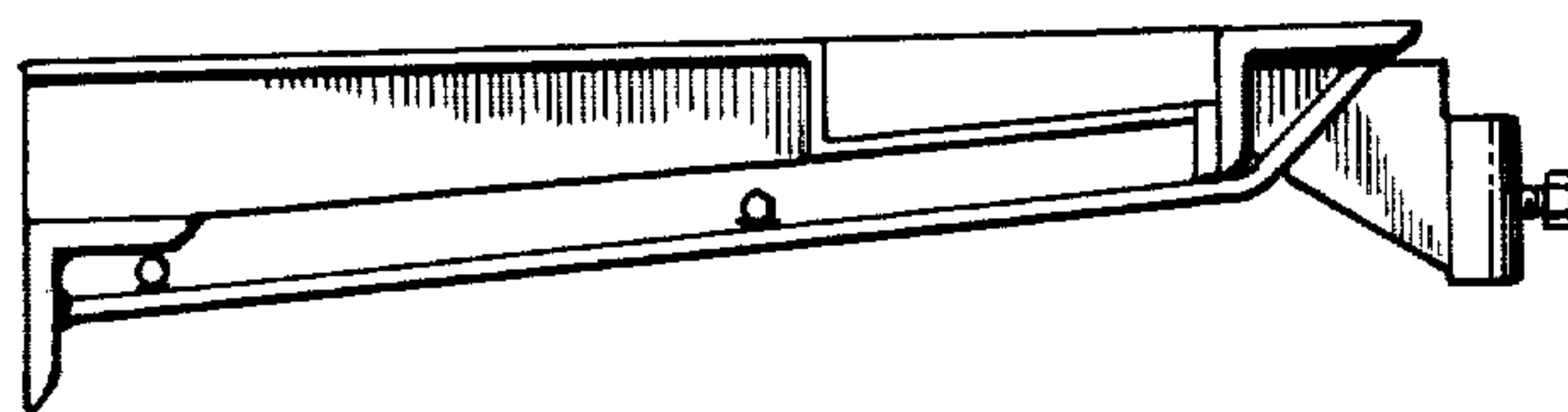


Fig. 3



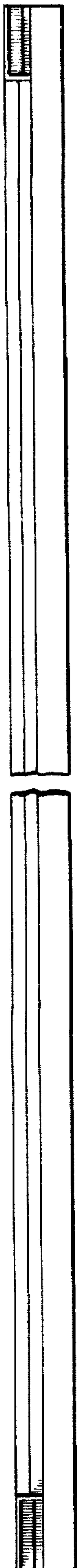


FIG-4

FIG-5

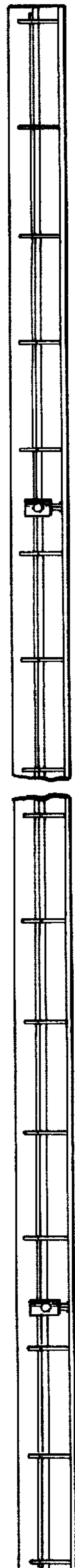
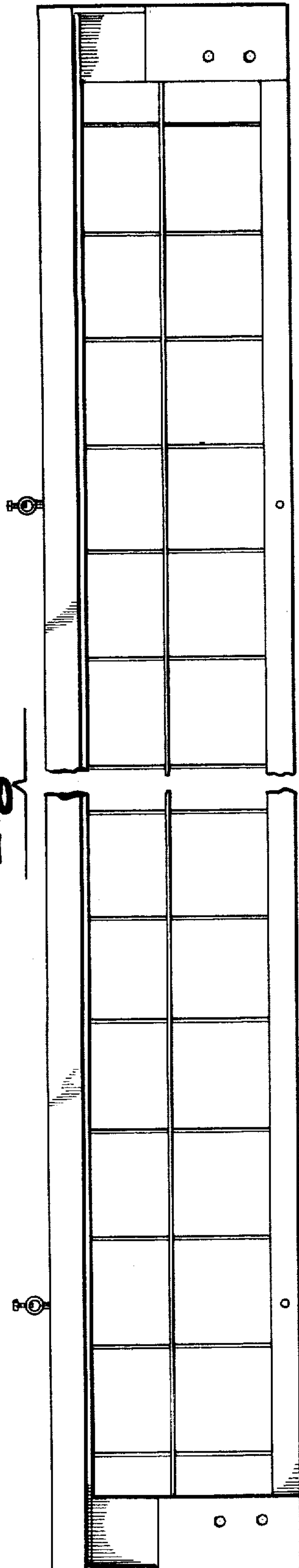


FIG-6

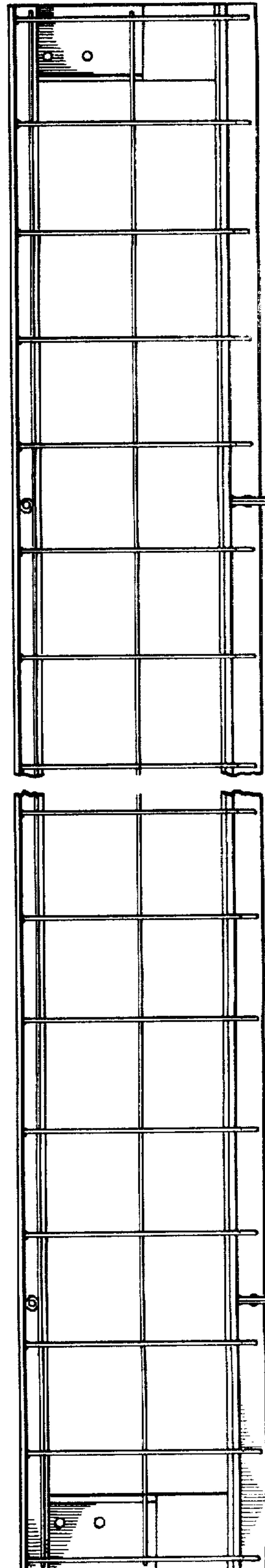


FIG-7