

[54] CEILING FAN

4,073,598 2/1978 Mizutani et al. 416/5

[76] Inventor: Frederick S. C. Kan, 7 Ko Fai Rd., Kofi Industrial Bldg., Block C, First Flr., Yautong, Kowloon, Hong Kong

[**] Term: 14 Years

[21] Appl. No.: 234,384

[22] Filed: Feb. 13, 1981

[51] Int. Cl. D23-04

[52] U.S. Cl. D23/158

[58] Field of Search D23/139-167; 416/5

OTHER PUBLICATIONS

Home Lighting & Accessories, Mar. 1977, p. 34, bottom left item.

Home Lighting & Accessories, Nov. 1978, p. 40, top left item.

Nutone, Form PF-380, Rev. 5/80, p. C-8, All Brown Verandah Paddle Fan-Model PF-52BWN-PFB-52D.

Primary Examiner—James R. Lergen

Attorney, Agent, or Firm—Oltman and Flynn

[57] CLAIM

The ornamental design for a ceiling fan, as shown.

DESCRIPTION

FIG. 1 is a bottom plan view of a ceiling fan showing my new design;

FIG. 2 is a side elevational view thereof;

FIG. 3 is a top plan view thereof; and

FIG. 4 is another side elevational view taken 90 degrees from the side shown in FIG. 2.

[56] References Cited

U.S. PATENT DOCUMENTS

D. 82,179	9/1930	Ringwald	D23/158
636,871	11/1899	Wait	416/5
2,119,398	5/1938	Morso	416/5

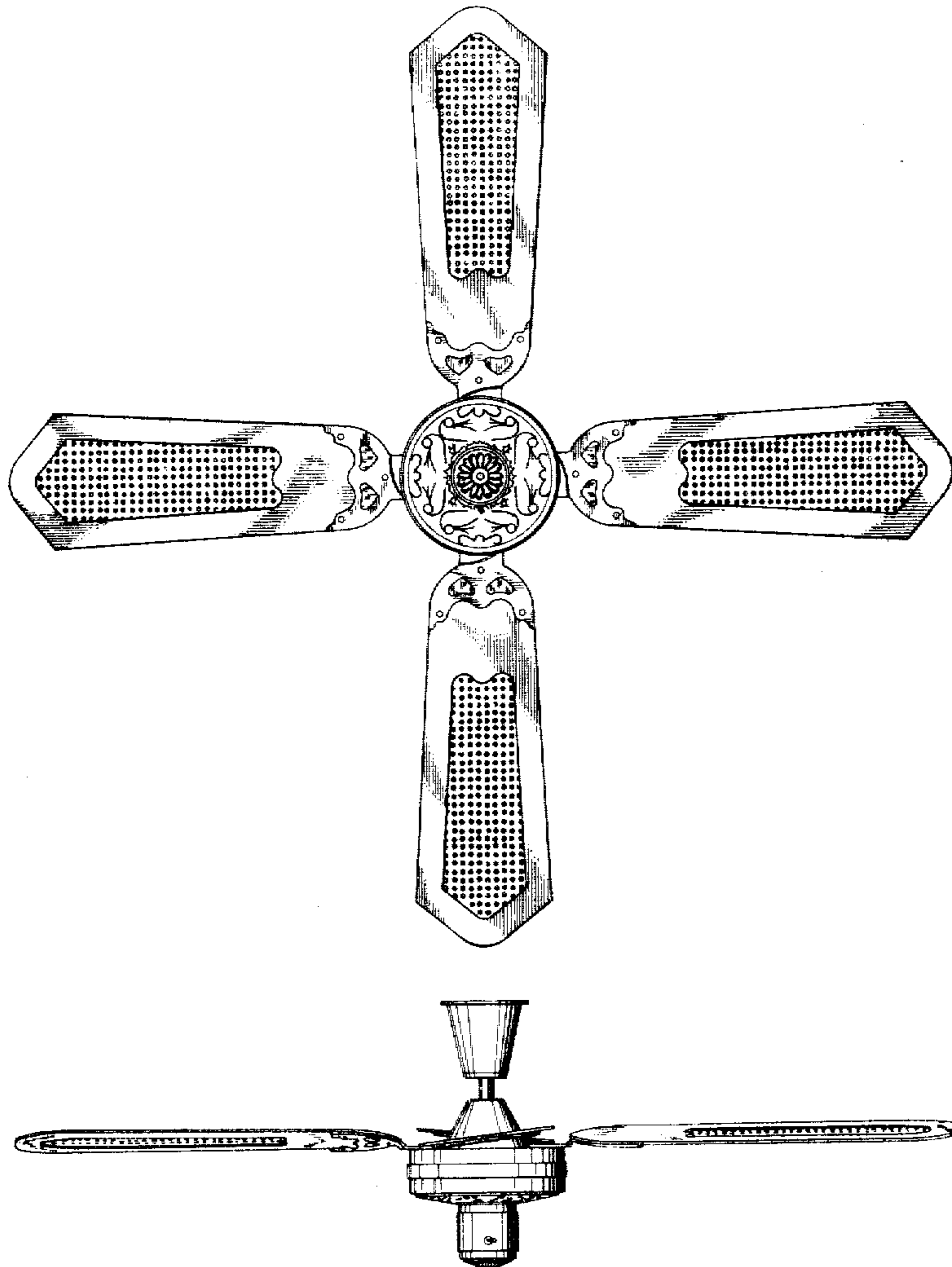


FIG. 1

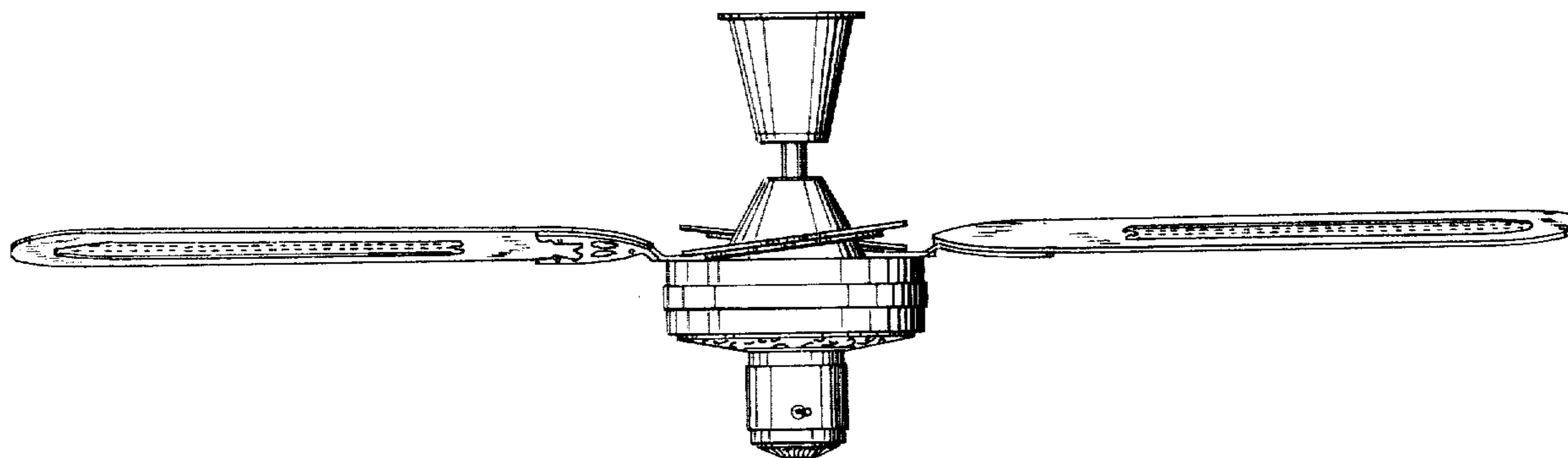
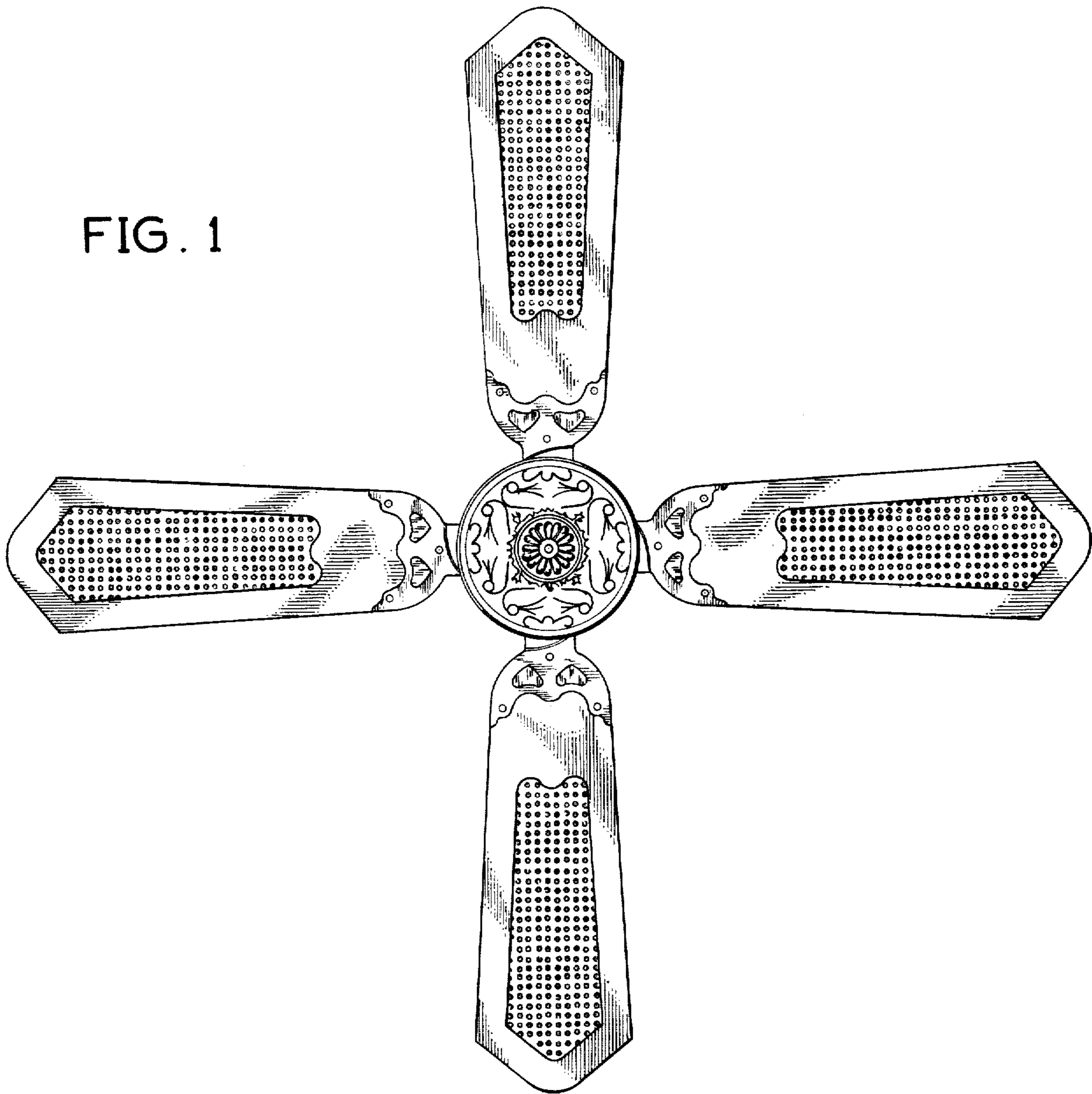


FIG. 2

FIG. 3

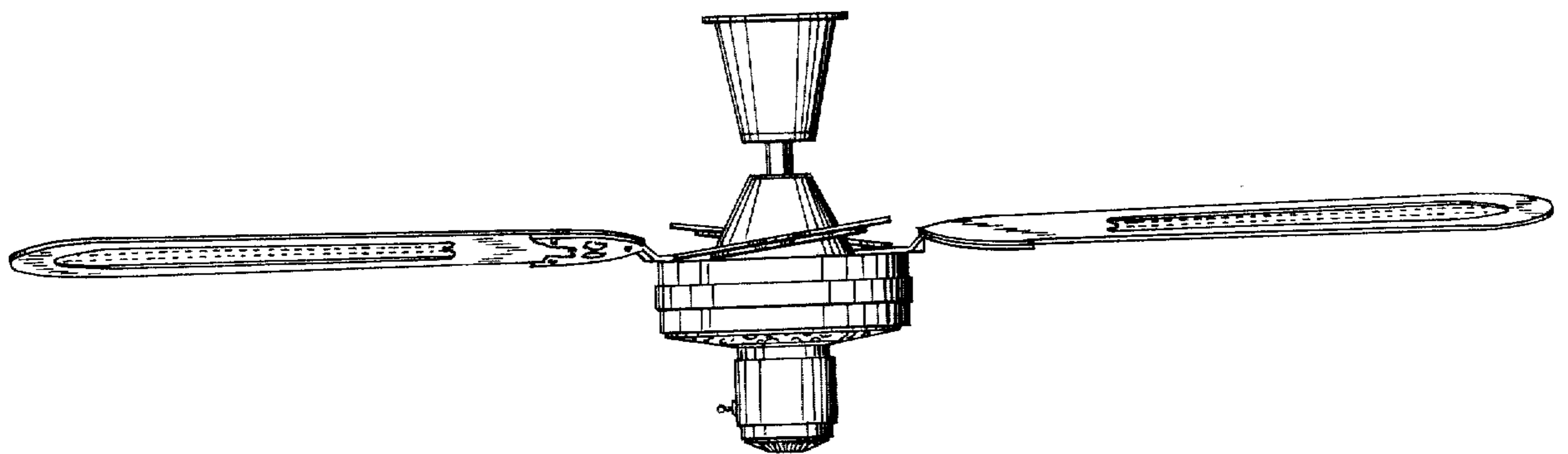
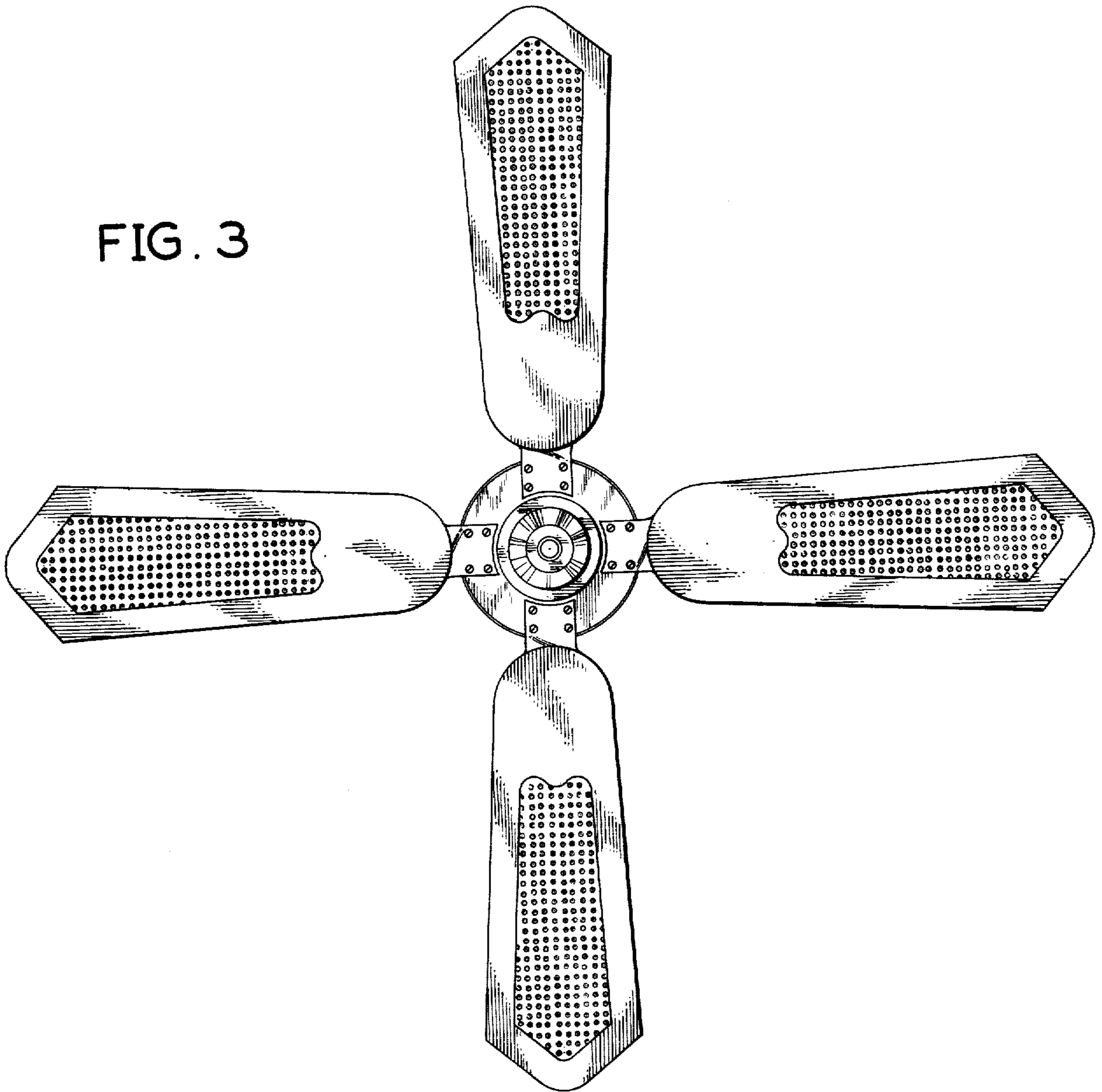


FIG. 4