

[54] BATHTUB

[56]

References Cited

U.S. PATENT DOCUMENTS

[76] Inventor: James H. Ballard, 513 Bexar Ave., Hamilton, Ala. 35570

D. 212,946	12/1968	Clark	.....	D23/49
D. 217,864	6/1970	Meyers	.....	D23/55
D. 217,865	6/1970	Meyers	.....	D23/55
D. 219,448	12/1970	Skyhawk	.....	D23/49
D. 219,587	12/1970	Skyhawk	.....	D23/49
D. 227,468	6/1973	Seymour	.....	D23/55
D. 237,184	10/1975	Rosenhaus	.....	D23/55

[\*\*] Term: 14 Years

Primary Examiner—James R. Largen  
Attorney, Agent, or Firm—C. A. Phillips

[21] Appl. No.: 185,363

[57] CLAIM

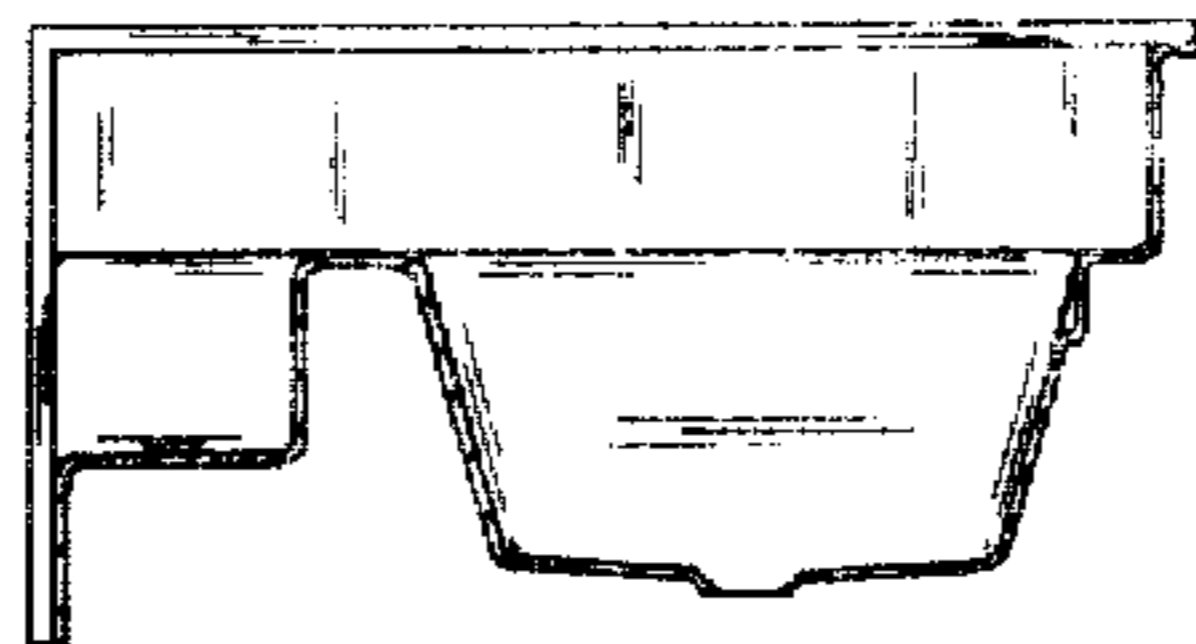
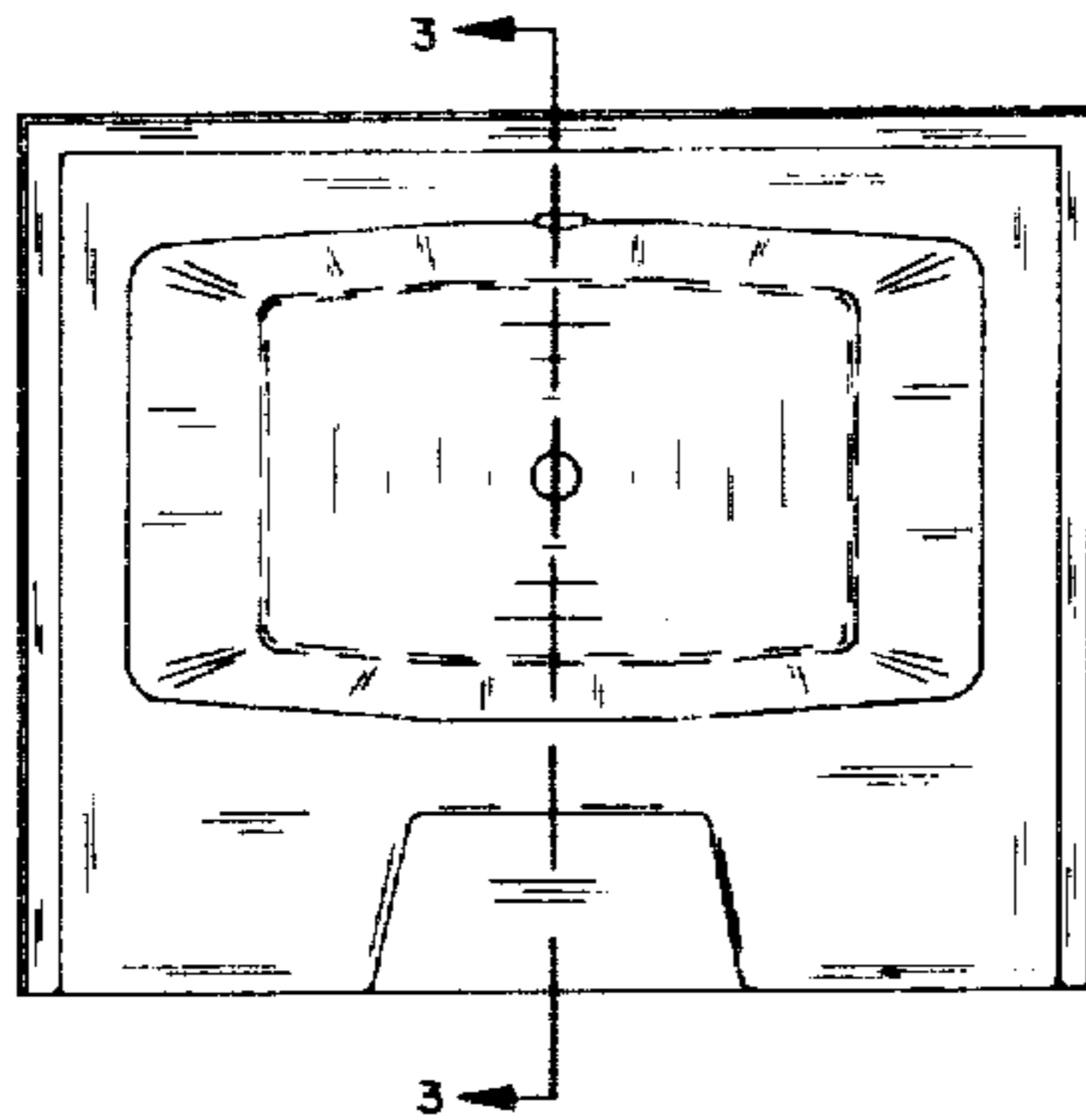
[22] Filed: Sep. 8, 1980

The ornamental design for a bathtub, substantially as shown and described.

- [51] Int. Cl. .... D23--02
- [52] U.S. Cl. .... D23/55
- [58] Field of Search .... D23/48-57;  
D24/38; 4/538, 546, 548, 552, 559, 560,  
564-566, 571, 573, 578, 579, 584, 590, 592-597,  
605, 611-614, 628, 654

DESCRIPTION

FIG. 1 is a top plan view of a bathtub showing my new design;  
FIG. 2 is a front elevational view thereof; and  
FIG. 3 is a cross sectional view taken on line 3--3 of FIG. 1.



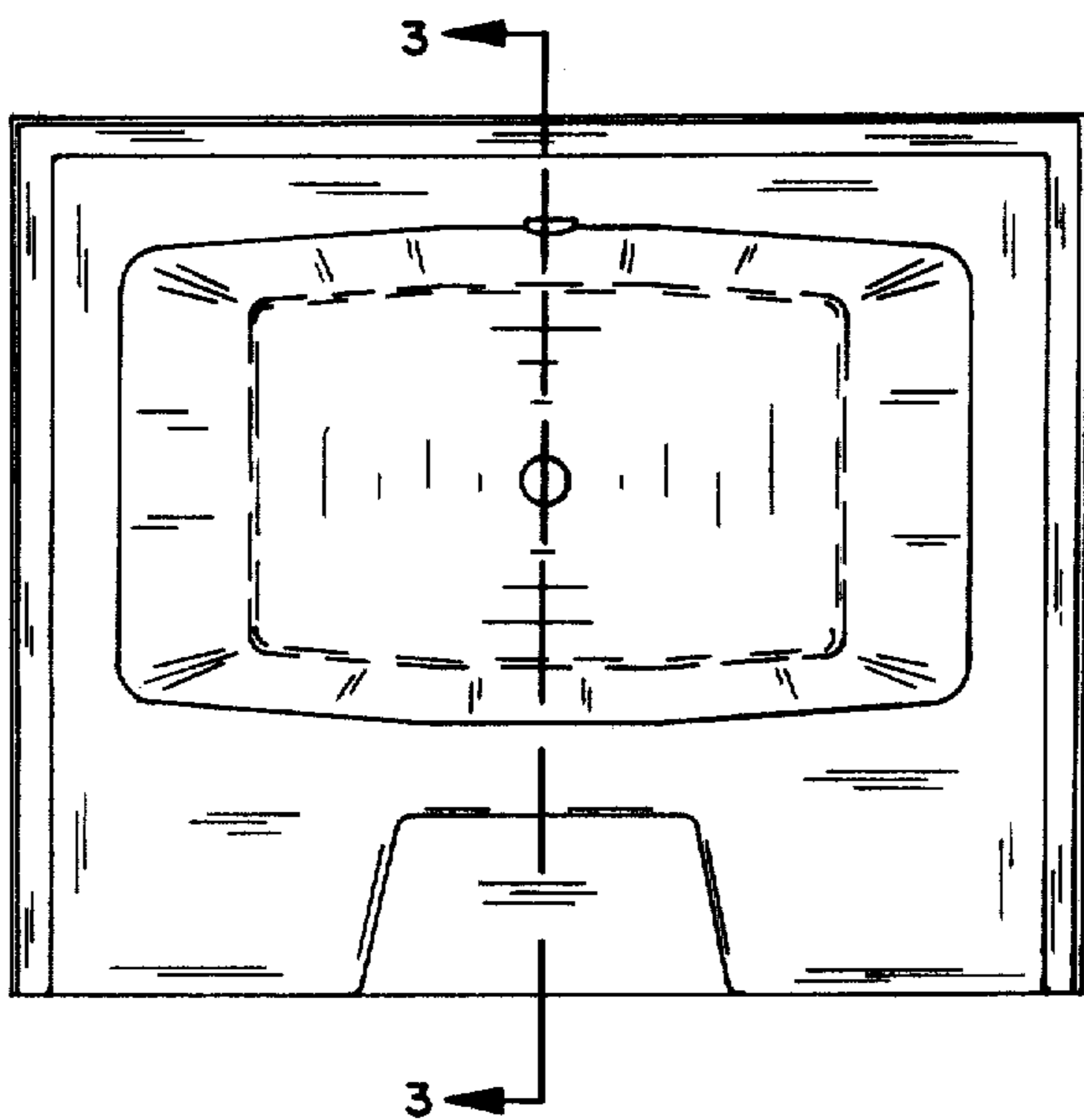


FIG. 1

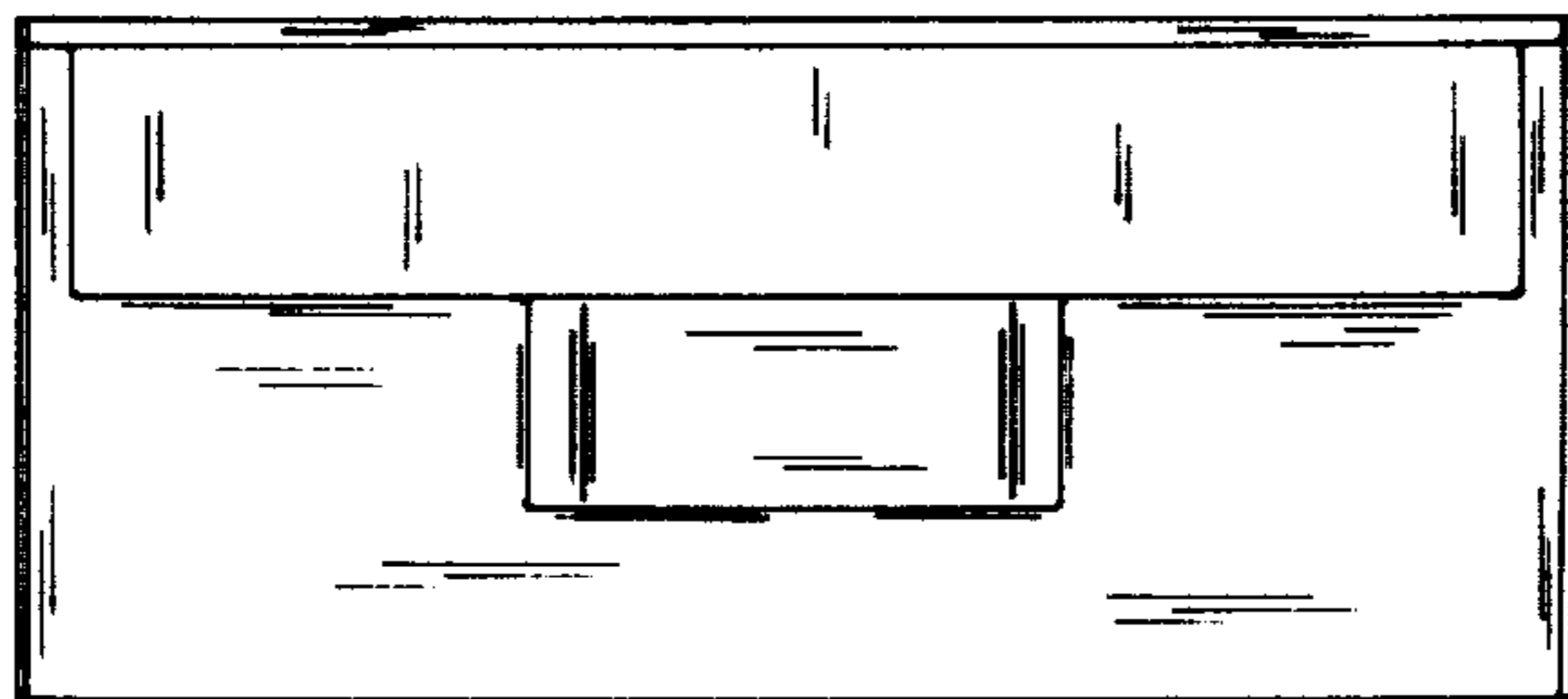


FIG. 2

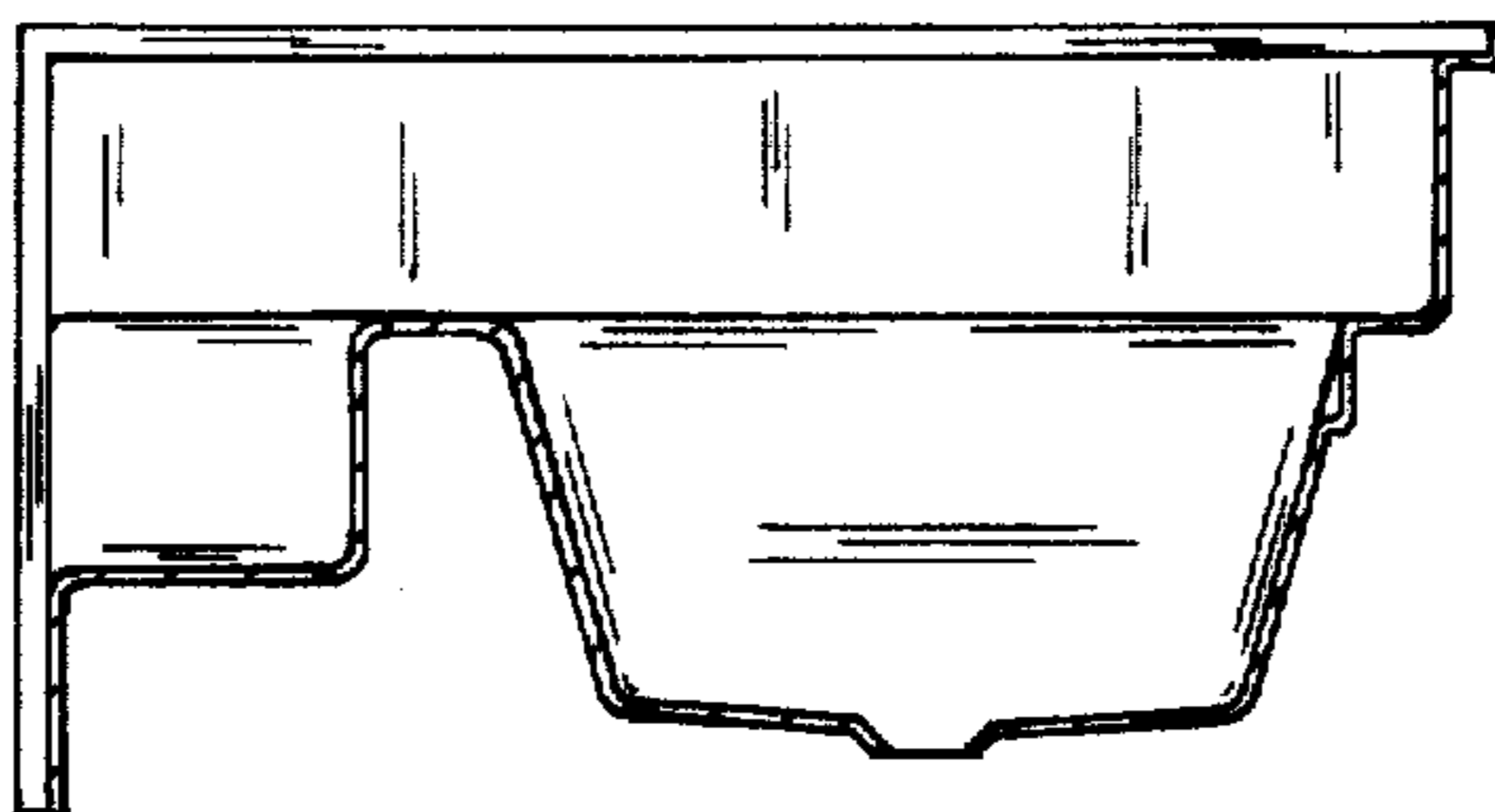


FIG. 3