

[54] GUARD FOR SKATE BLADE

[76] Inventors: Jan L. Grönborg, Fullerstavägen 42, S-141 44 Huddinge; Lars E. Persson, Mönstringsvägen 20, S-184 00 Akersberga, both of Sweden

[**] Term: 14 Years

[21] Appl. No.: 180,697

[22] Filed: Aug. 25, 1980

[30] Foreign Application Priority Data

Feb. 25, 1980 [SE] Sweden 80-0398

[51] Int. Cl. D21-02

[52] U.S. Cl. D21/225

[58] Field of Search D21/224-225, D21/226; 280/825

[56] References Cited

U.S. PATENT DOCUMENTS

D. 189,854 3/1961 Kesner et al. D21/225
D. 260,026 7/1981 Rosen D21/225

FOREIGN PATENT DOCUMENTS

10789 2/1901 Norway 280/825

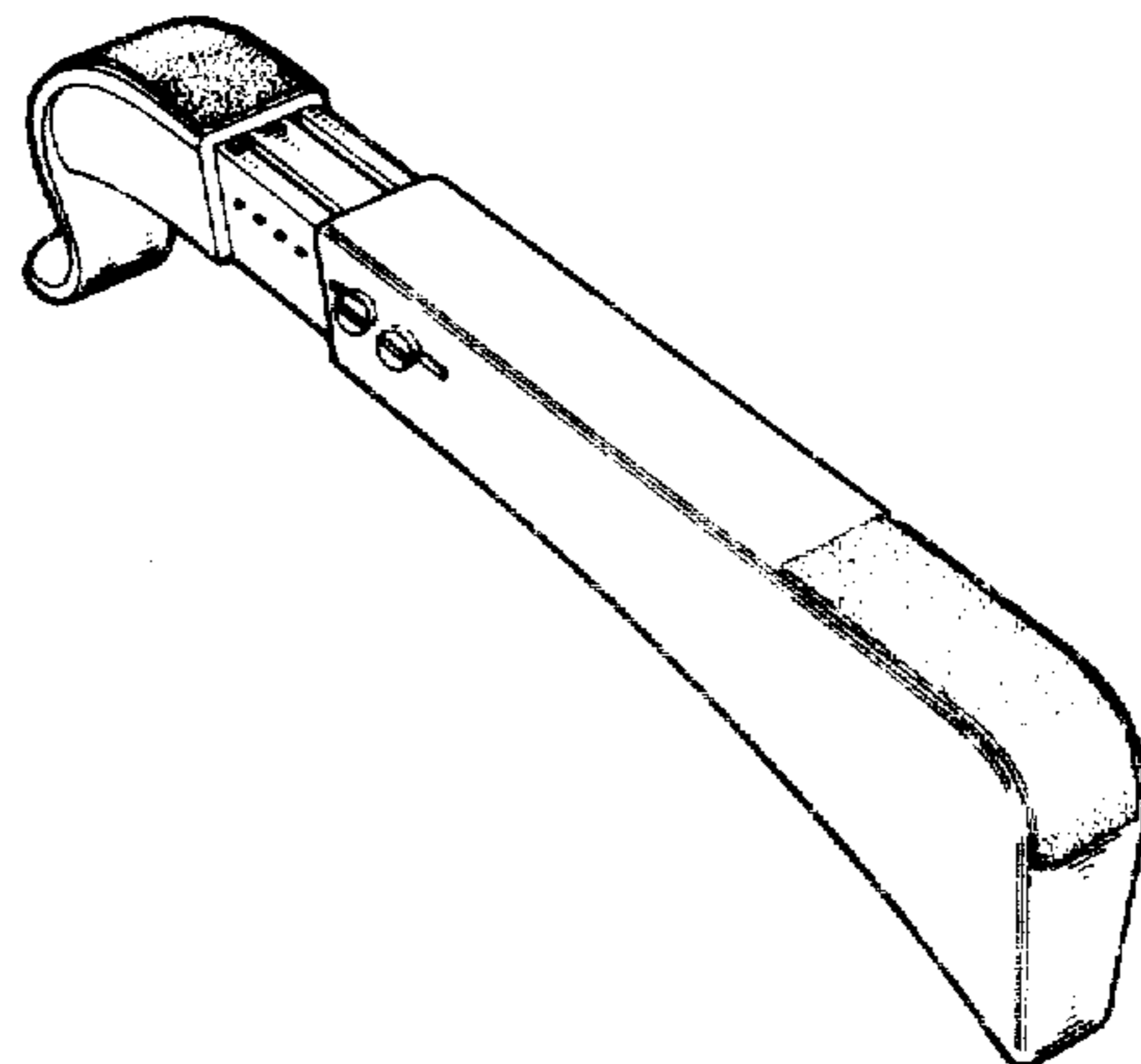
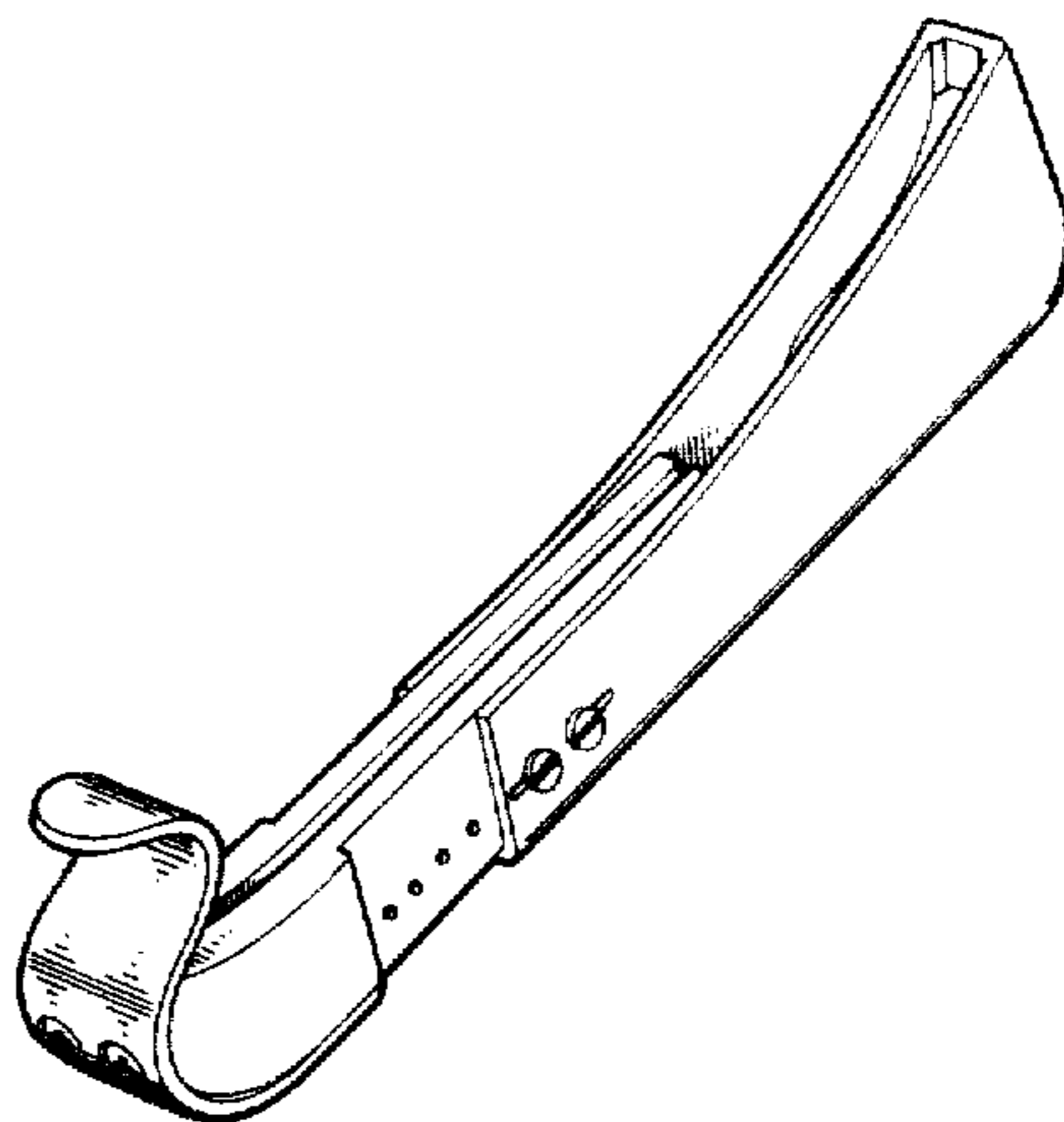
Primary Examiner—Charles A. Rademaker
Attorney, Agent, or Firm—Wegner, McCord, Wood & Dalton

[57] CLAIM

The ornamental design for guard for skate blade, substantially as shown and described.

DESCRIPTION

FIG. 1 is a top perspective view of a guard for skate blade showing our new design; and FIG. 2 is a bottom perspective view thereof.



U.S. Patent

Aug. 3, 1982

Des. 265,674

