

[54] TOY ROBOT

[76] Inventor: Henry Orenstein, 136 Lakeside Ave., Verona, N.J. 07044

[**] Term: 7 Years

[21] Appl. No.: 176,842

[22] Filed: Aug. 11, 1980

[51] Int. Cl. D21--01

[52] U.S. Cl. D21/150; D21/177

[58] Field of Search D21/150, 177

[56] References Cited

U.S. PATENT DOCUMENTS

D. 174,588	4/1955	Noble	D21/150
D. 178,510	8/1956	Fink	D21/150
D. 197,288	1/1964	Campbell	D21/150
D. 251,719	5/1979	Schmitz, Jr.	D21/150

OTHER PUBLICATIONS

Playthings, Feb., 1979, p. 131, robots.

Primary Examiner—Melvin B. Feifer
Attorney, Agent, or Firm—Gottlieb, Rackman & Reisman

[57] CLAIM

The ornamental design for a toy robot, as shown and described.

DESCRIPTION

FIG. 1 is a front view of a toy robot showing my new design;

FIG. 2 is a right side view;

FIG. 3 is a rear view;

FIG. 4 is a left side view;

FIG. 5 is a top plan view; and

FIG. 6 is a bottom plan view.

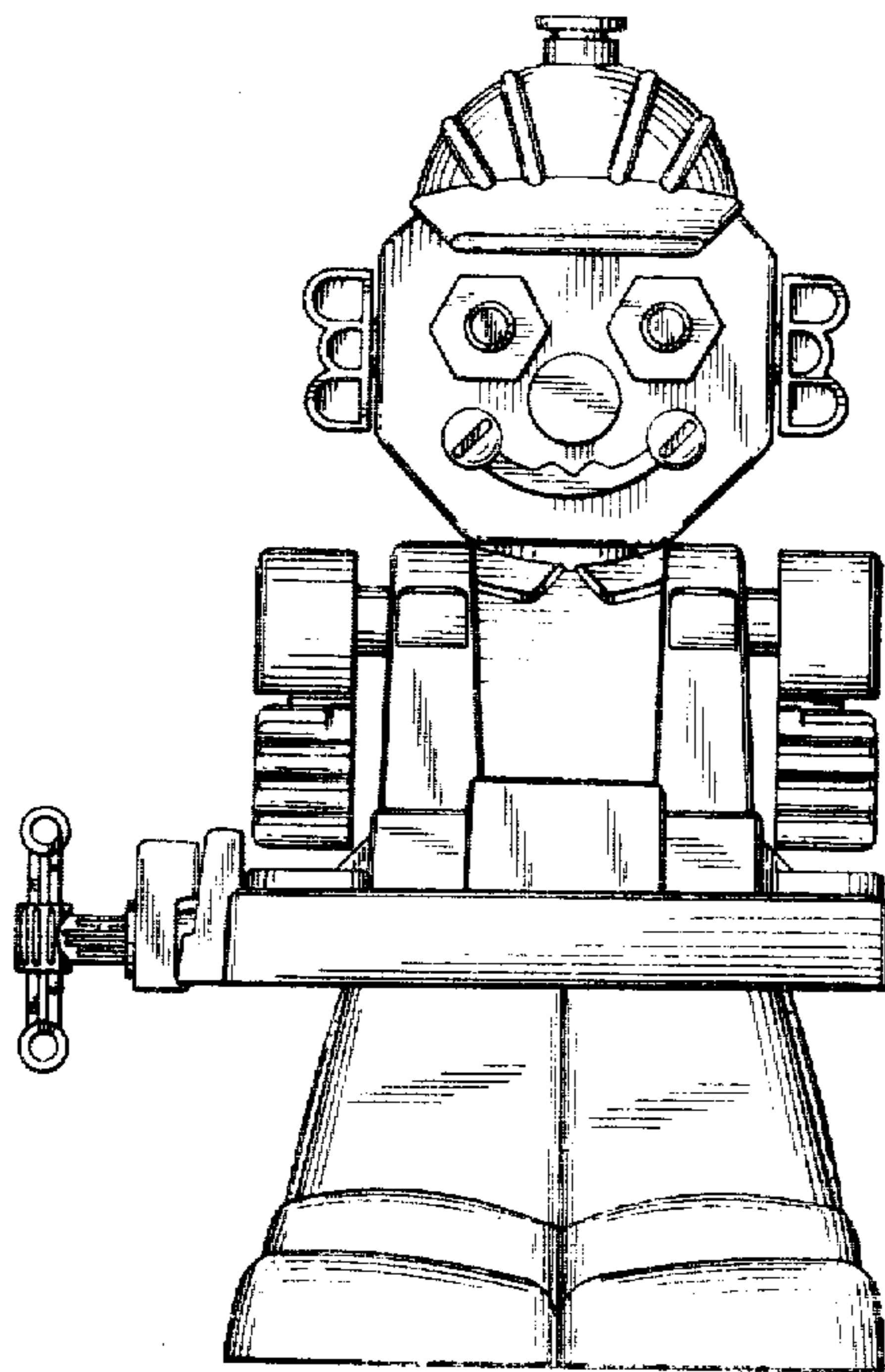


FIG. 2

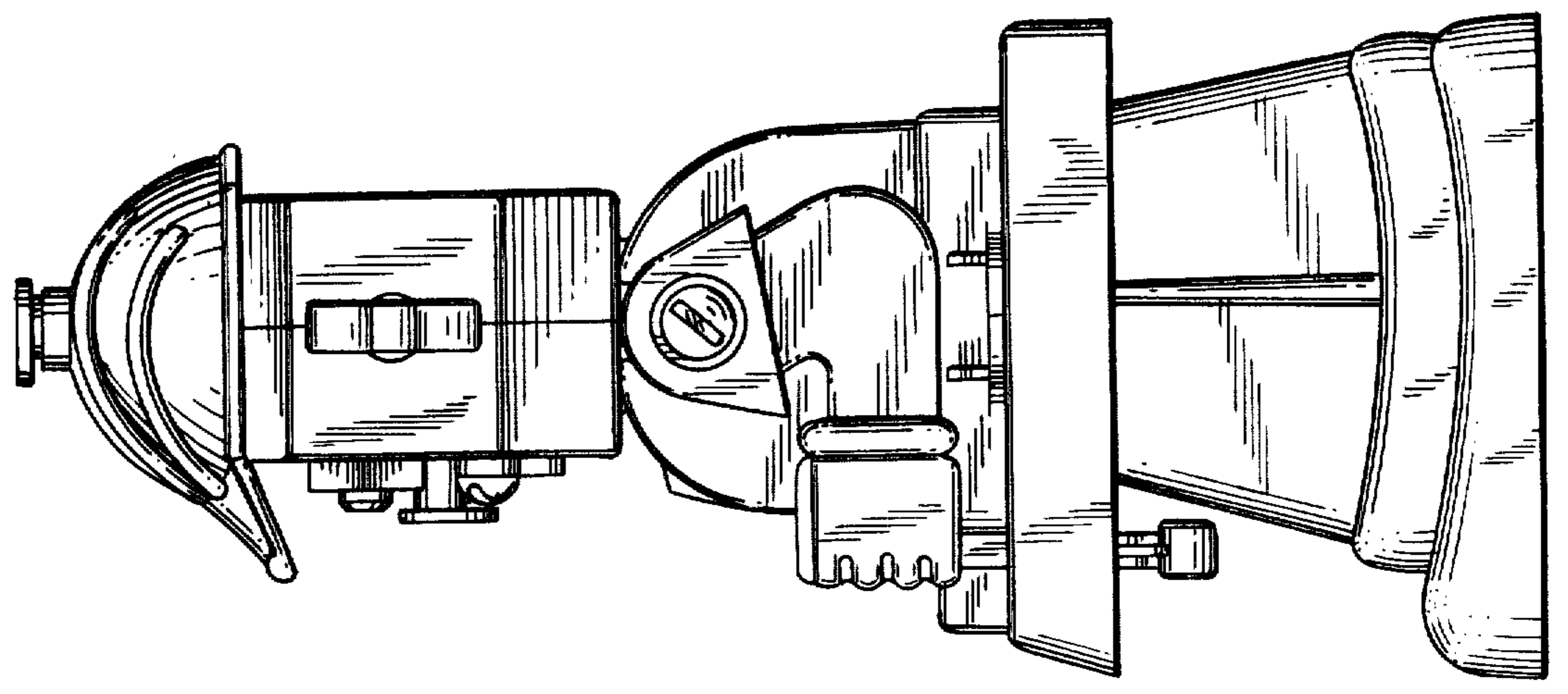


FIG. 1

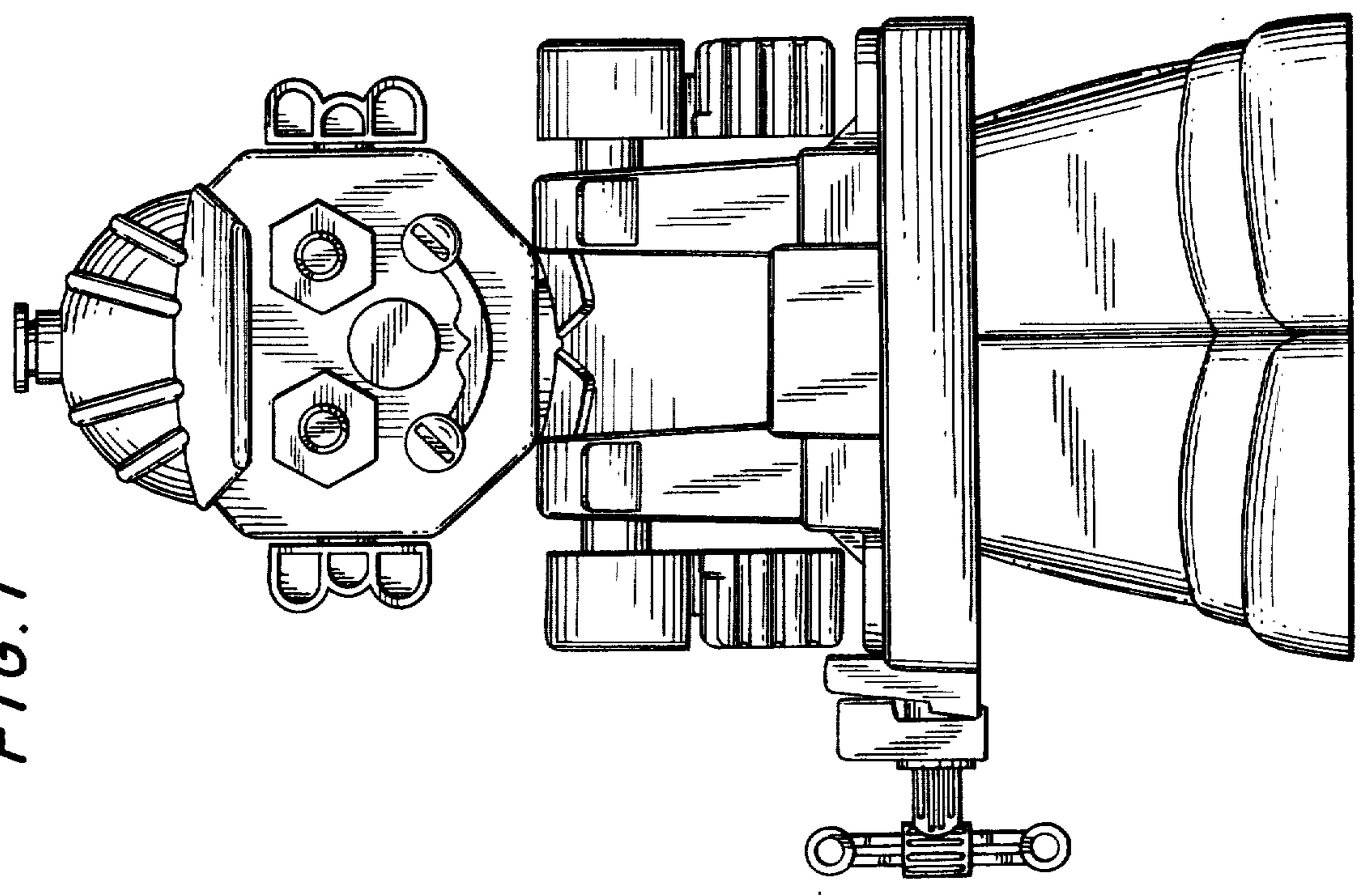


FIG. 4

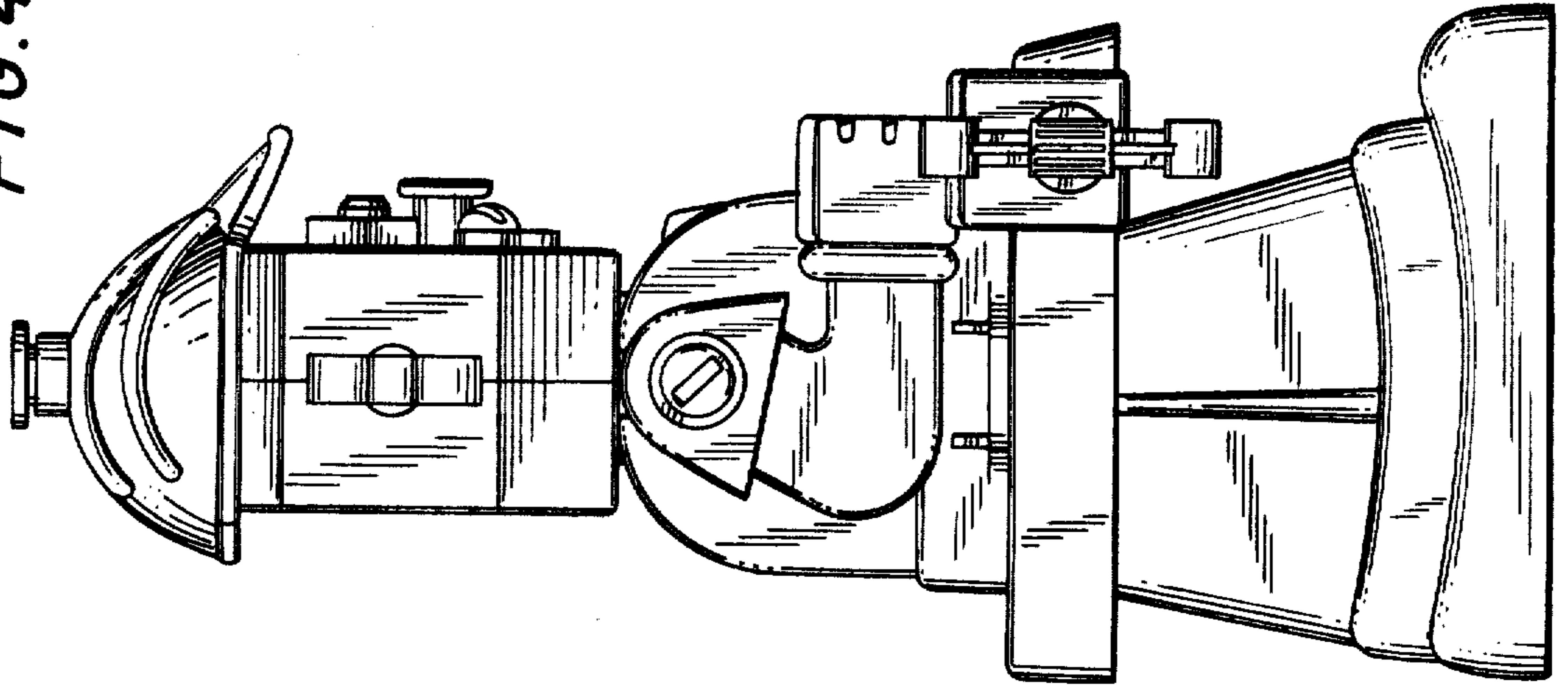


FIG. 3

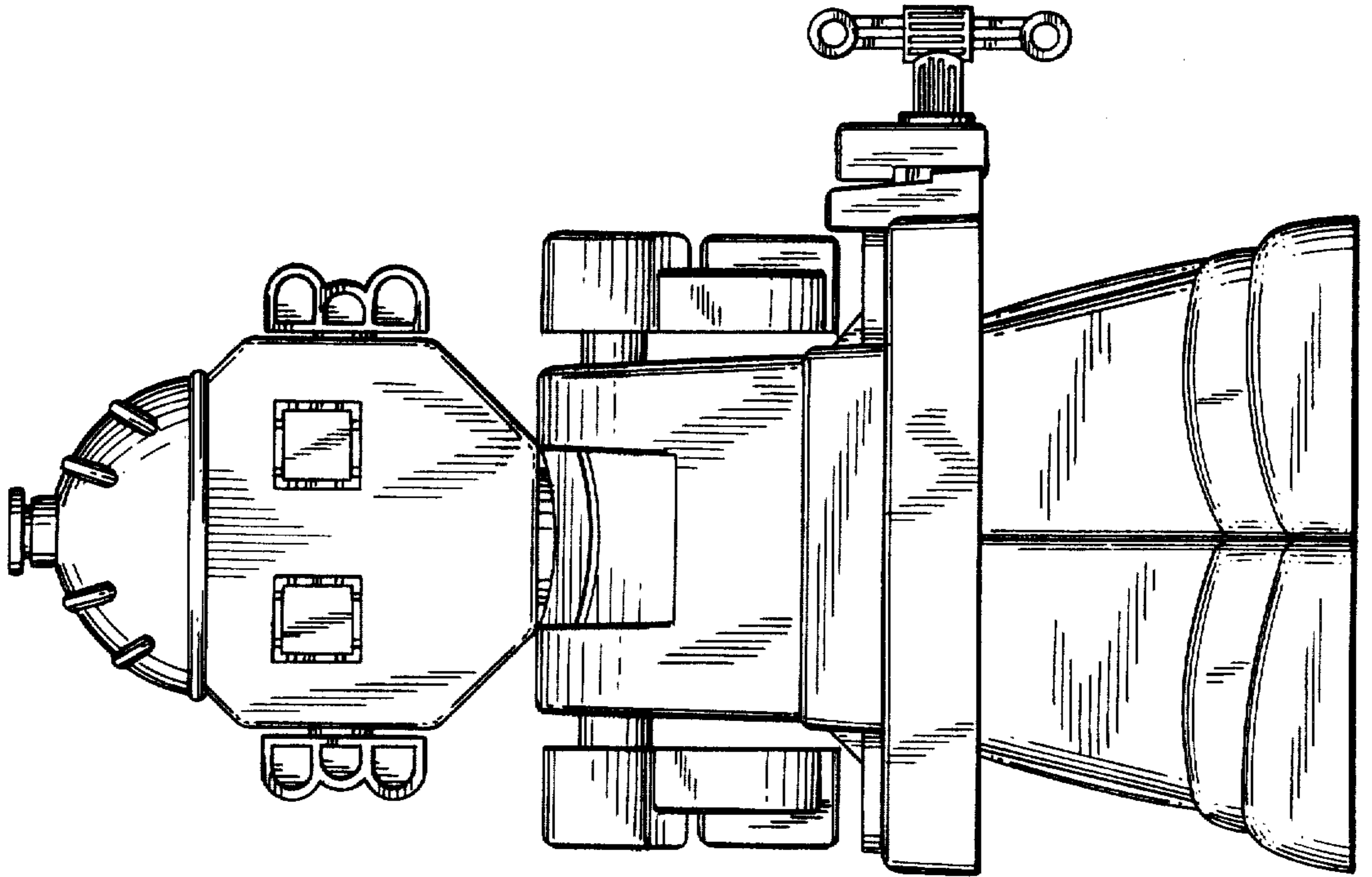


FIG. 6

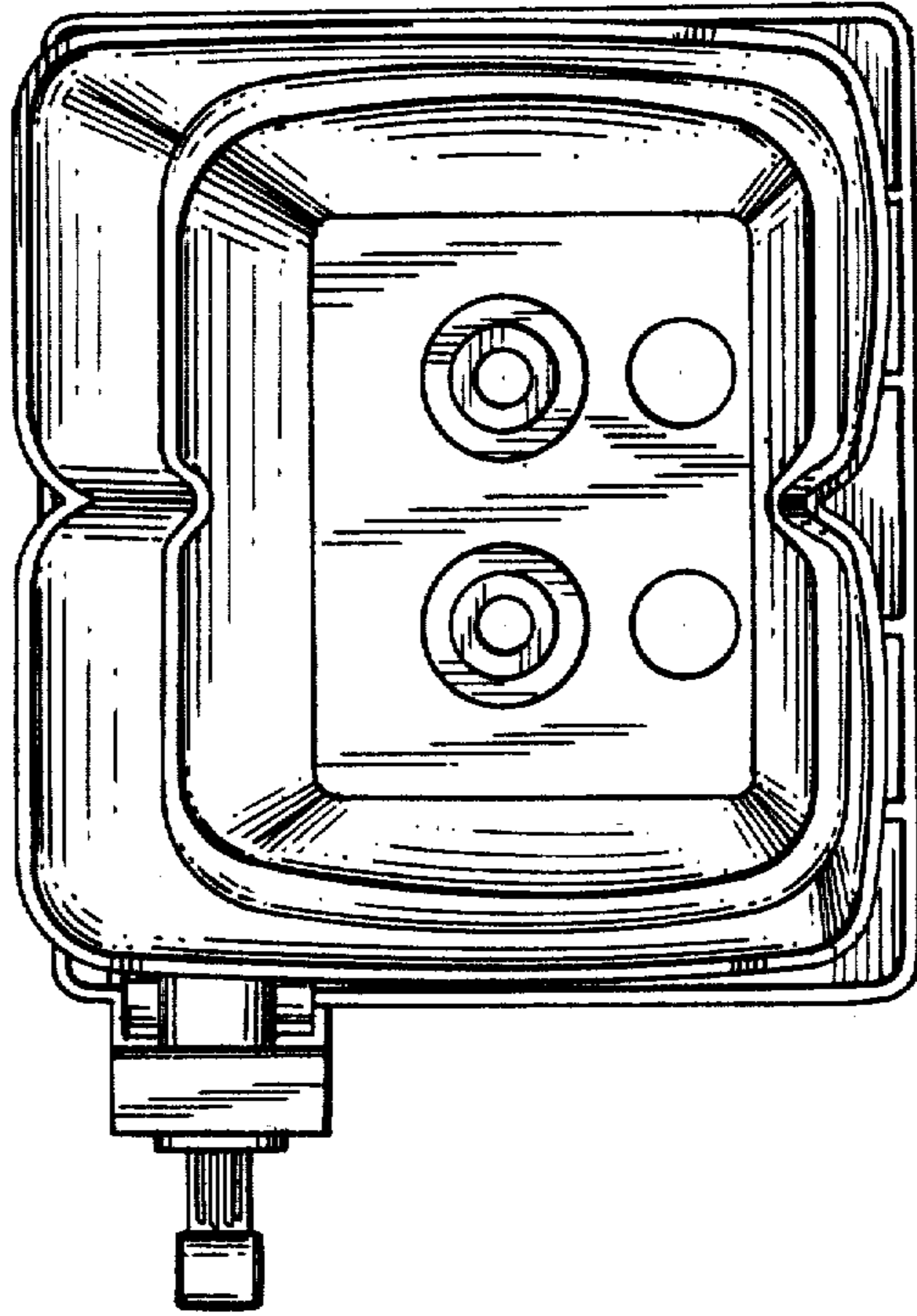


FIG. 5

