

[54] TOY SPACE CRAFT

[76] Inventor: Mustafa Fehric, 20 Falstaff Ave.,
Apt. #406, Weston, Ontario,
Canada, M6L 2C8

[**] Term: 7 Years

[21] Appl. No.: 185,146

[22] Filed: Sep. 8, 1980

[51] Int. Cl. D21-01
[52] U.S. Cl. D21/87
[58] Field of Search D21/86, 87, 88, 89;
46/74 R, 74 A, 74 B, 74 C, 74 D, 79, 80, 81;
D12/320

[56]

References Cited

U.S. PATENT DOCUMENTS

D. 194,445 1/1963 Walker 46/74 A
D. 220,985 6/1971 Webb et al. D12/320
D. 261,286 10/1981 Breneman D21/87
3,619,937 11/1971 Thompson et al. 46/79
3,898,763 8/1975 Rizzo 46/79

Primary Examiner—Charles A. Rademaker

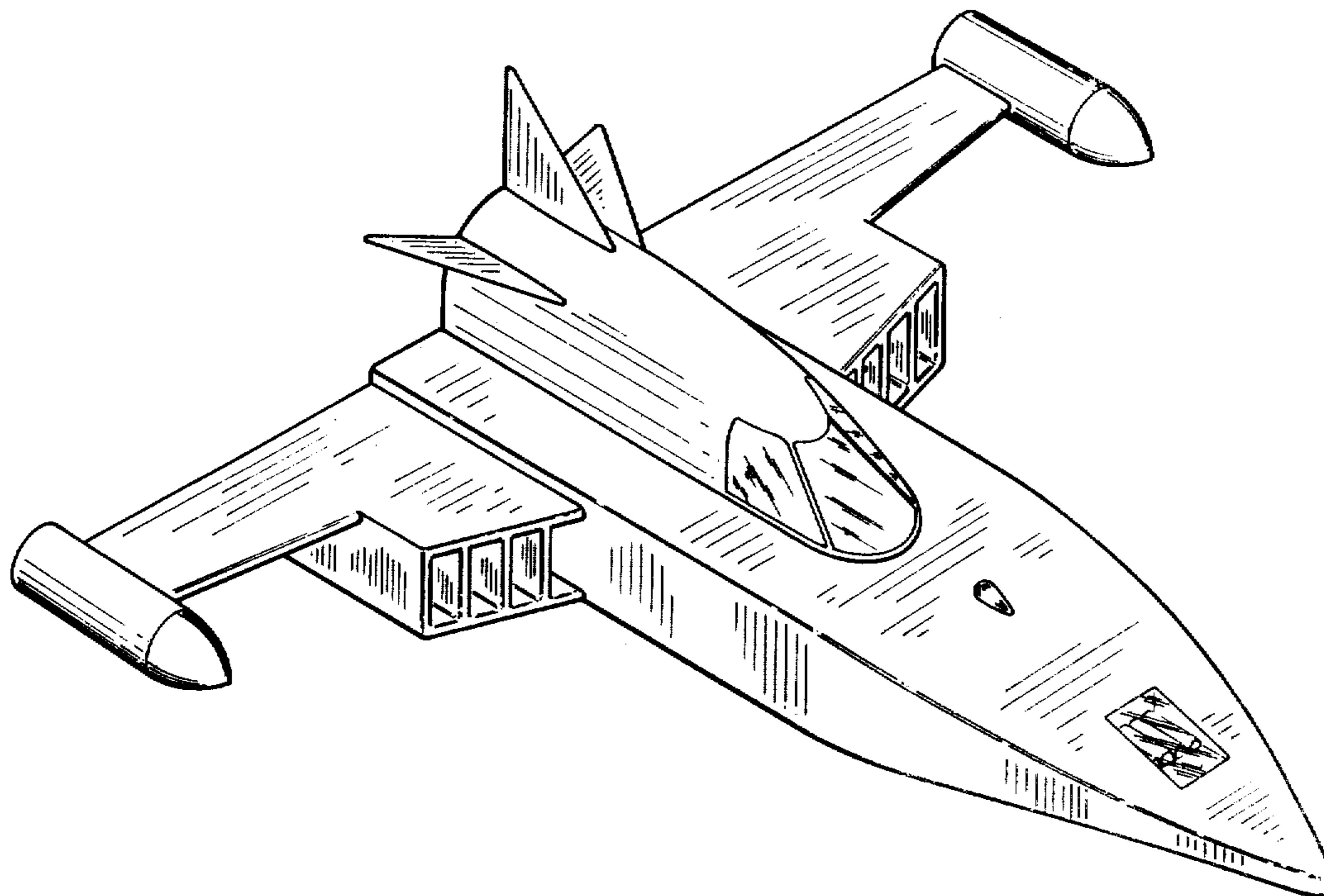
[57]

CLAIM

The ornamental design for a toy space craft, as shown.

DESCRIPTION

FIG. 1 is a top perspective view of a toy space craft showing my new design;
FIG. 2 is a top plan view thereof;
FIG. 3 is a bottom plan view thereof;
FIG. 4 is a side elevational view thereof;
FIG. 5 is a front elevational view thereof; and
FIG. 6 is a rear elevational view thereof.



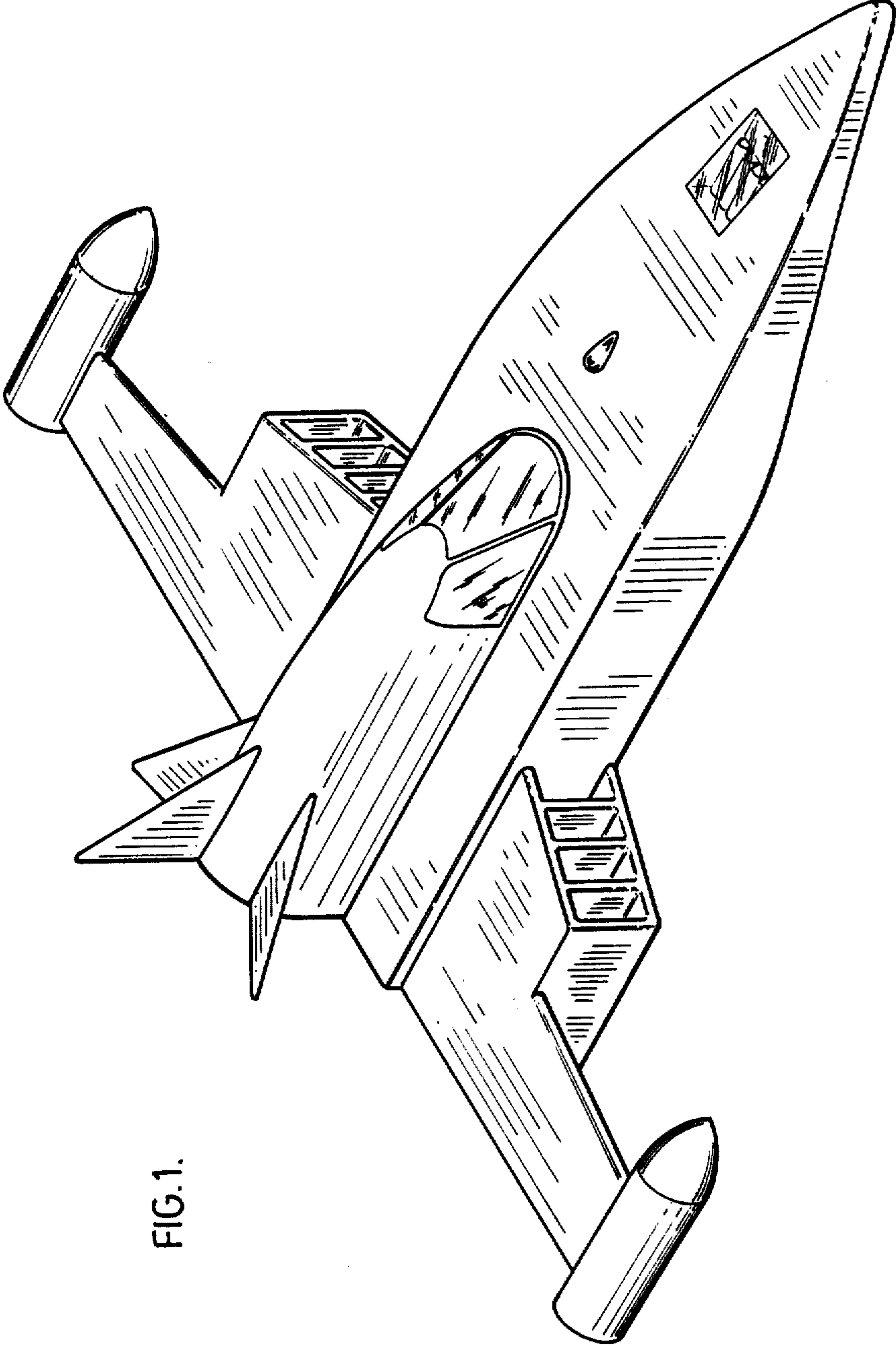


FIG.1.

FIG. 2.

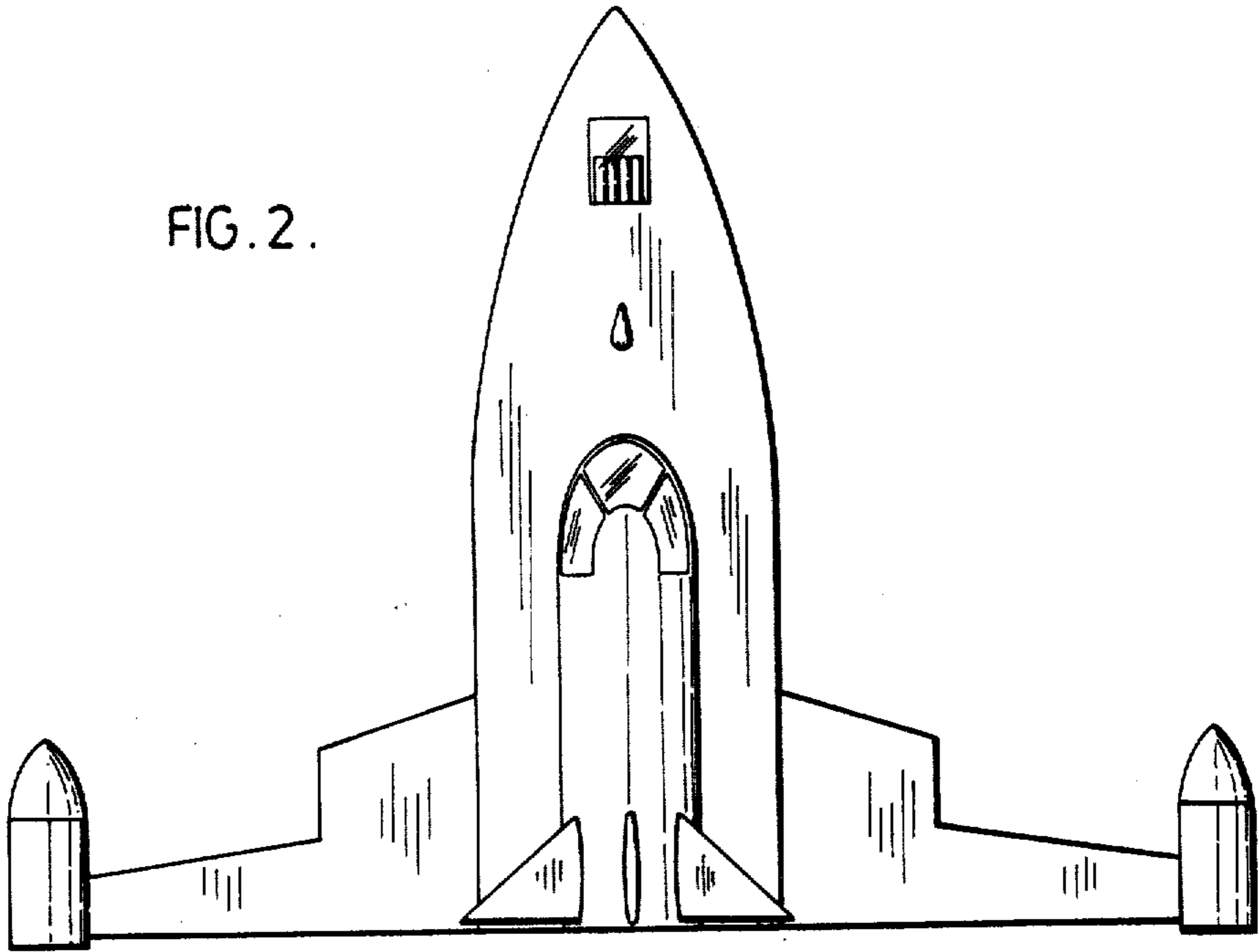
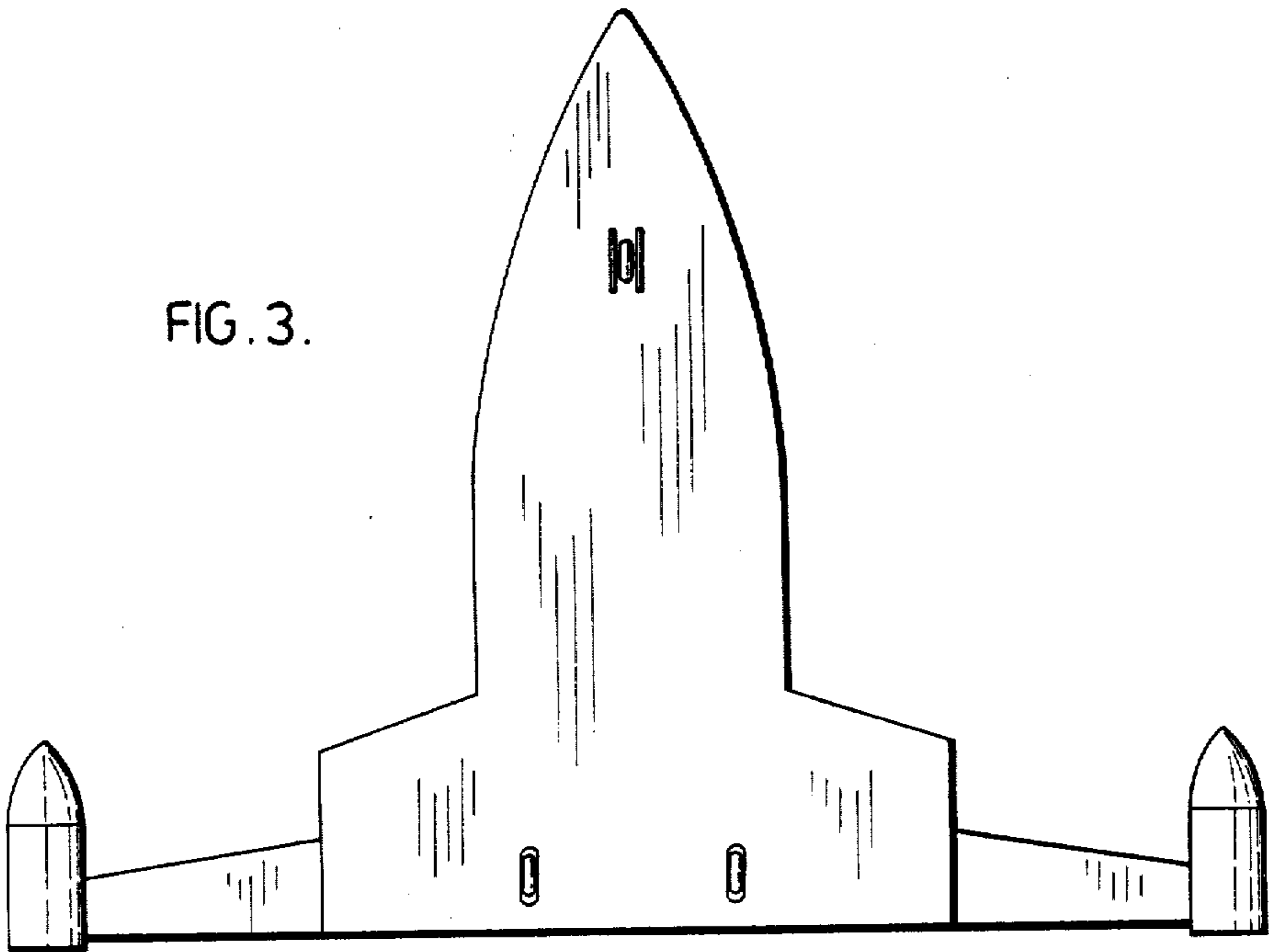


FIG. 3.



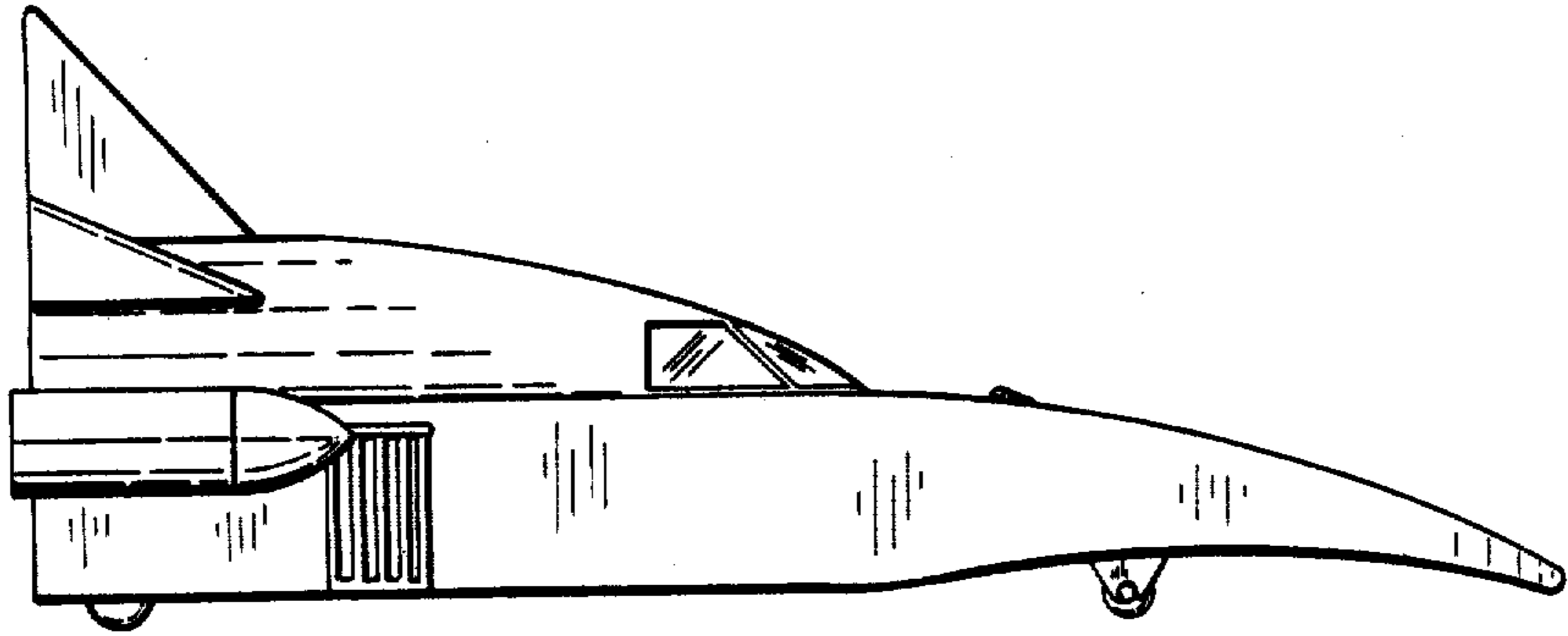


FIG. 4.

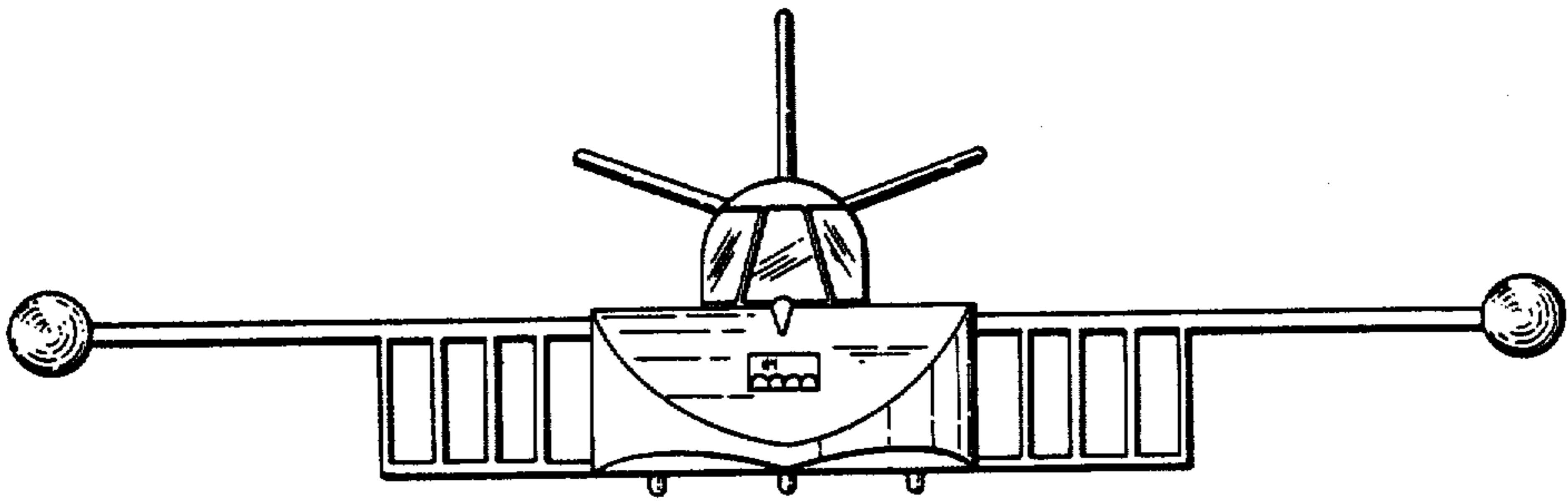


FIG. 5.

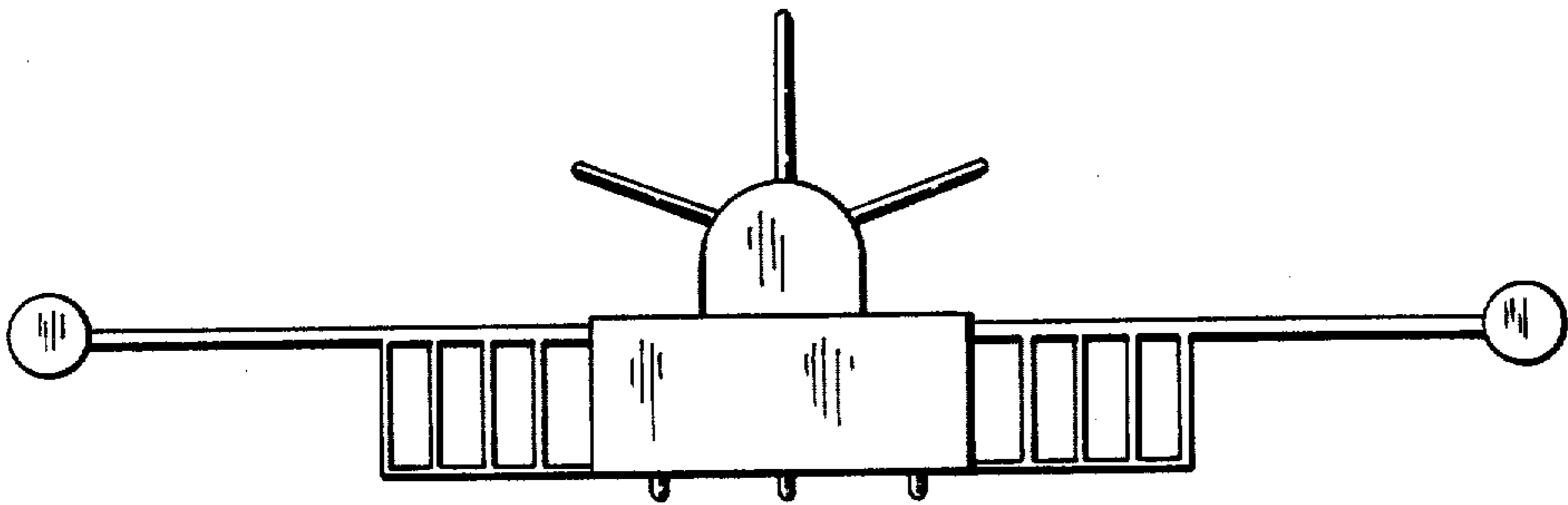


FIG. 6.