

[54] TOY SPACE VEHICLE

[75] Inventors: George W. Lucas, Jr., San Anselmo; Joseph E. Johnston, Fairfax, both of Calif.

[73] Assignee: Lucasfilm, San Rafael, Calif.

[**] Term: 14 Years

[21] Appl. No.: 143,906

[22] Filed: Apr. 25, 1980

[51] Int. Cl. D21-01

[52] U.S. Cl. D21/87

[58] Field of Search D21/86, 87, 88, 89; 46/74 R, 74 A, 74 B, 74 C, 74 D, 79, 80, 81; D12/320

[56] References Cited

U.S. PATENT DOCUMENTS

D. 258,158 2/1981 Bunke D21/86

OTHER PUBLICATIONS

Sears Xmas Catalog, 1976, p. 472, toy Domed Refineries.

Playthings, 2/79, p. 191, "Starcruiser 1".

Primary Examiner—Charles A. Rademaker
Attorney, Agent, or Firm—Townsend and Townsend

[57] CLAIM

The ornamental design for a toy space vehicle, substantially as shown.

DESCRIPTION

FIG. 1 is a front perspective view of a toy space vehicle showing our new design;

FIG. 2 is a rear perspective view thereof;

FIG. 3 is a front elevational view thereof;

FIG. 4 is a right side elevational view thereof;

FIG. 5 is a left side elevational view thereof;

FIG. 6 is a top plan view thereof;

FIG. 7 is a rear elevational view thereof;

FIG. 8 is a bottom plan view thereof.

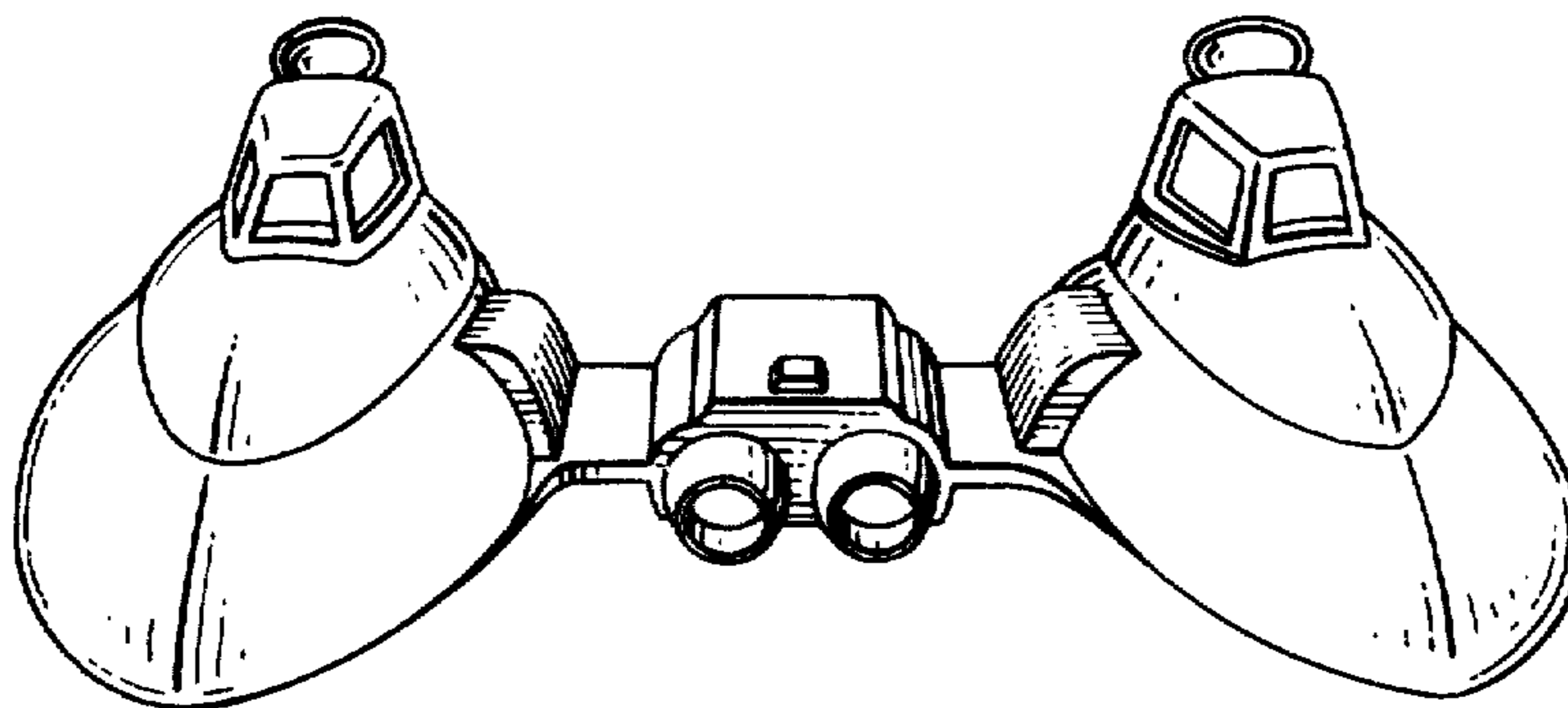


Fig. 1.

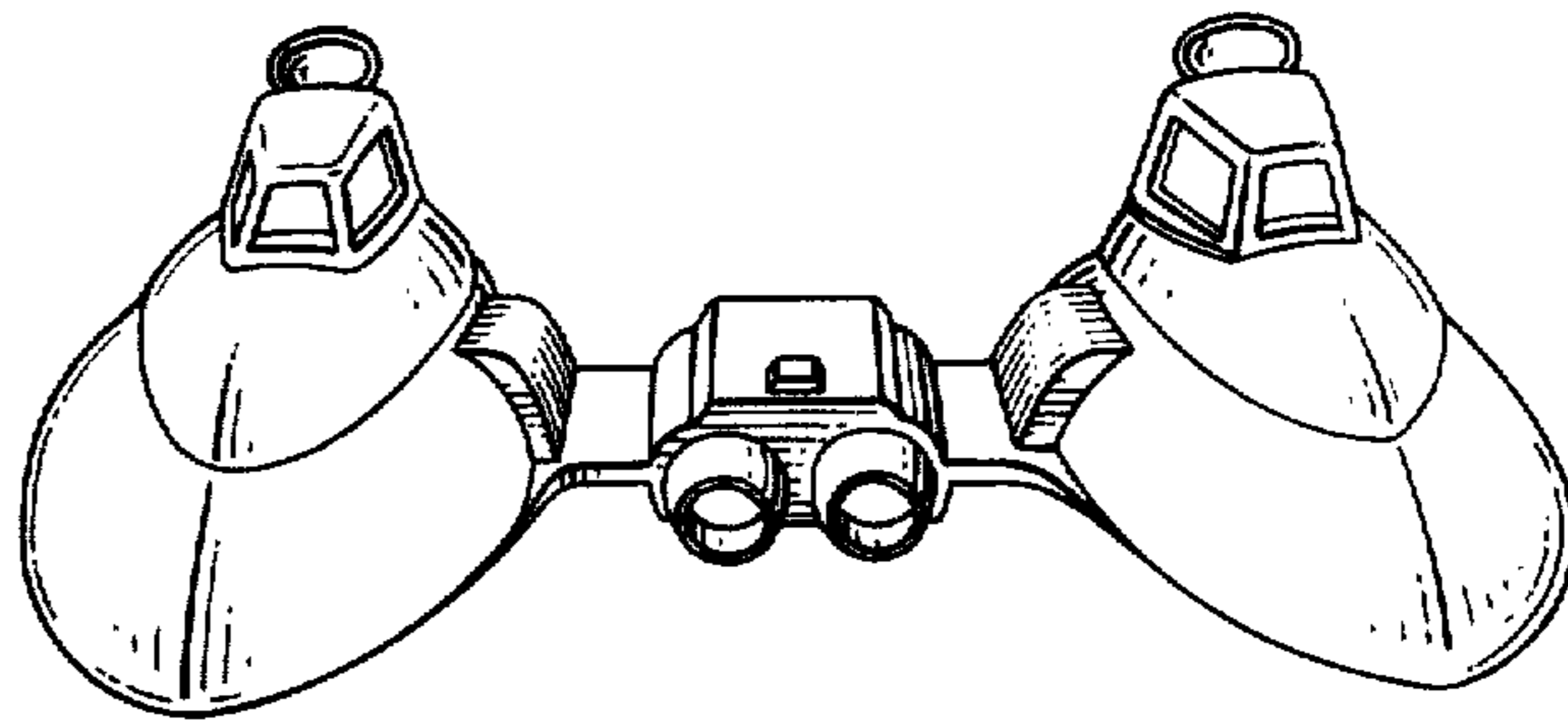


Fig. 2.

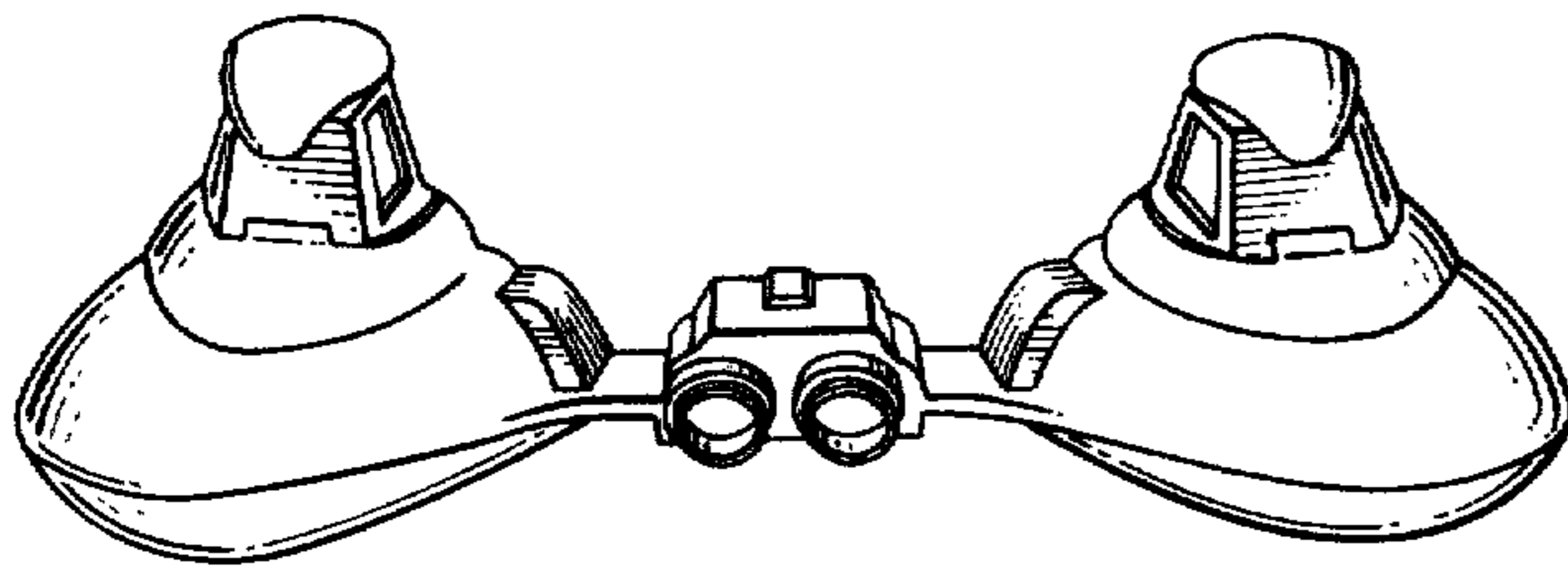


Fig. 3.

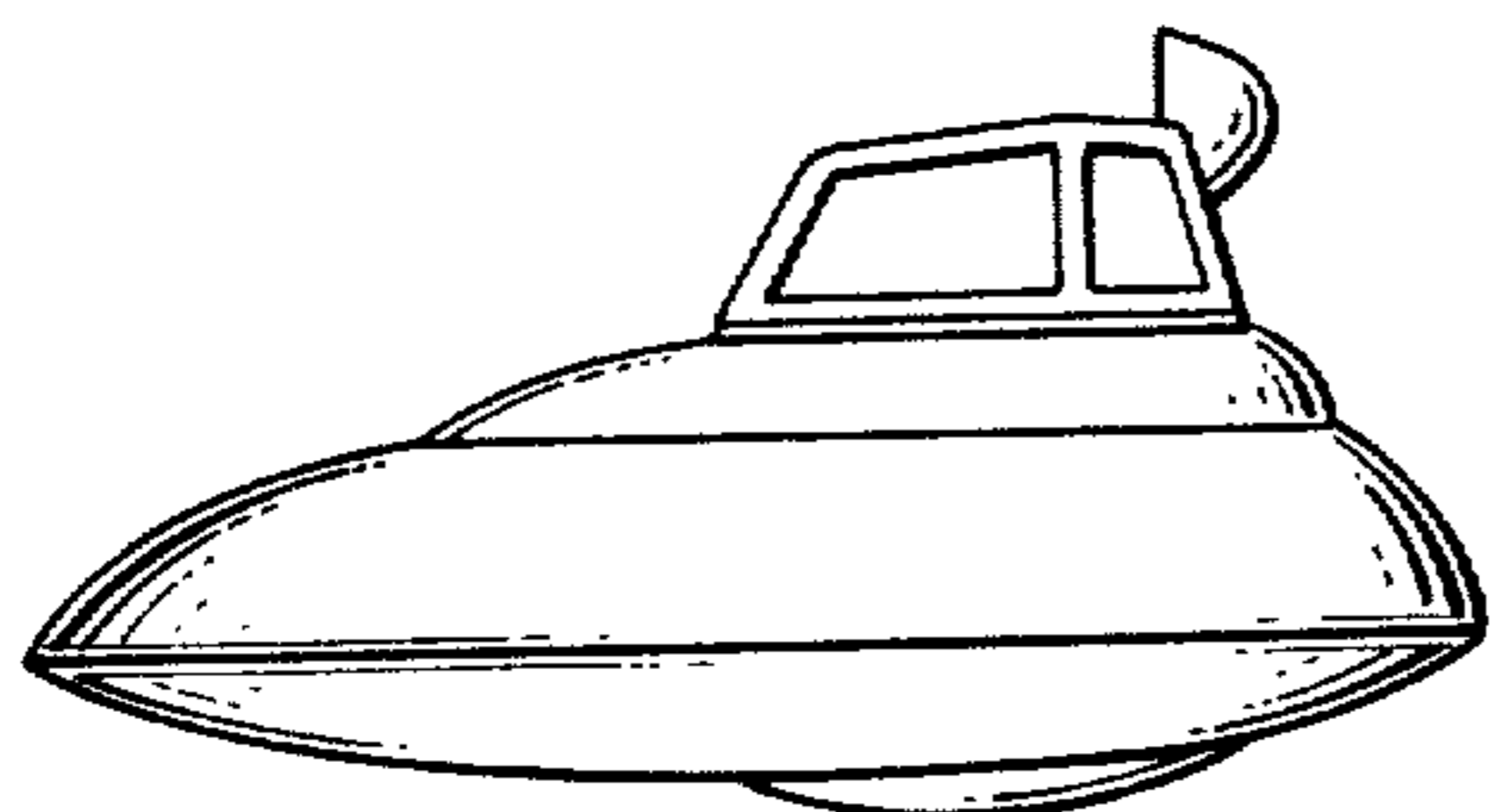
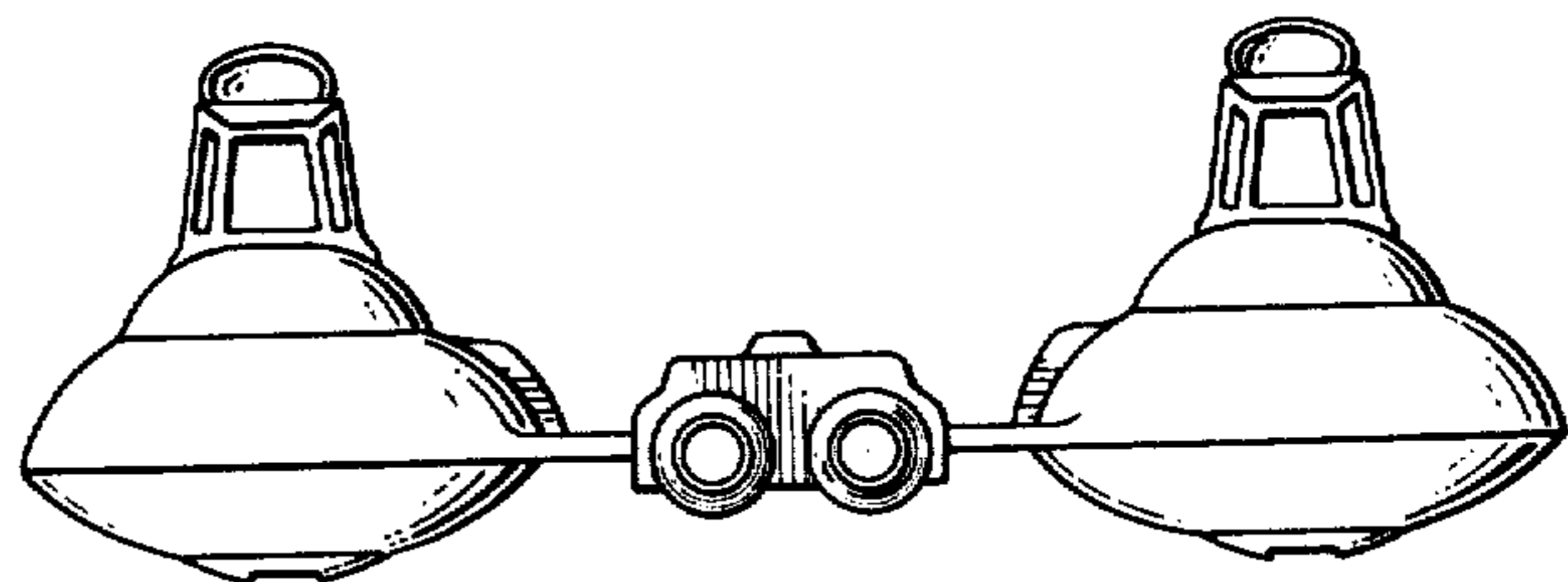


Fig. 4.

Fig. 5.

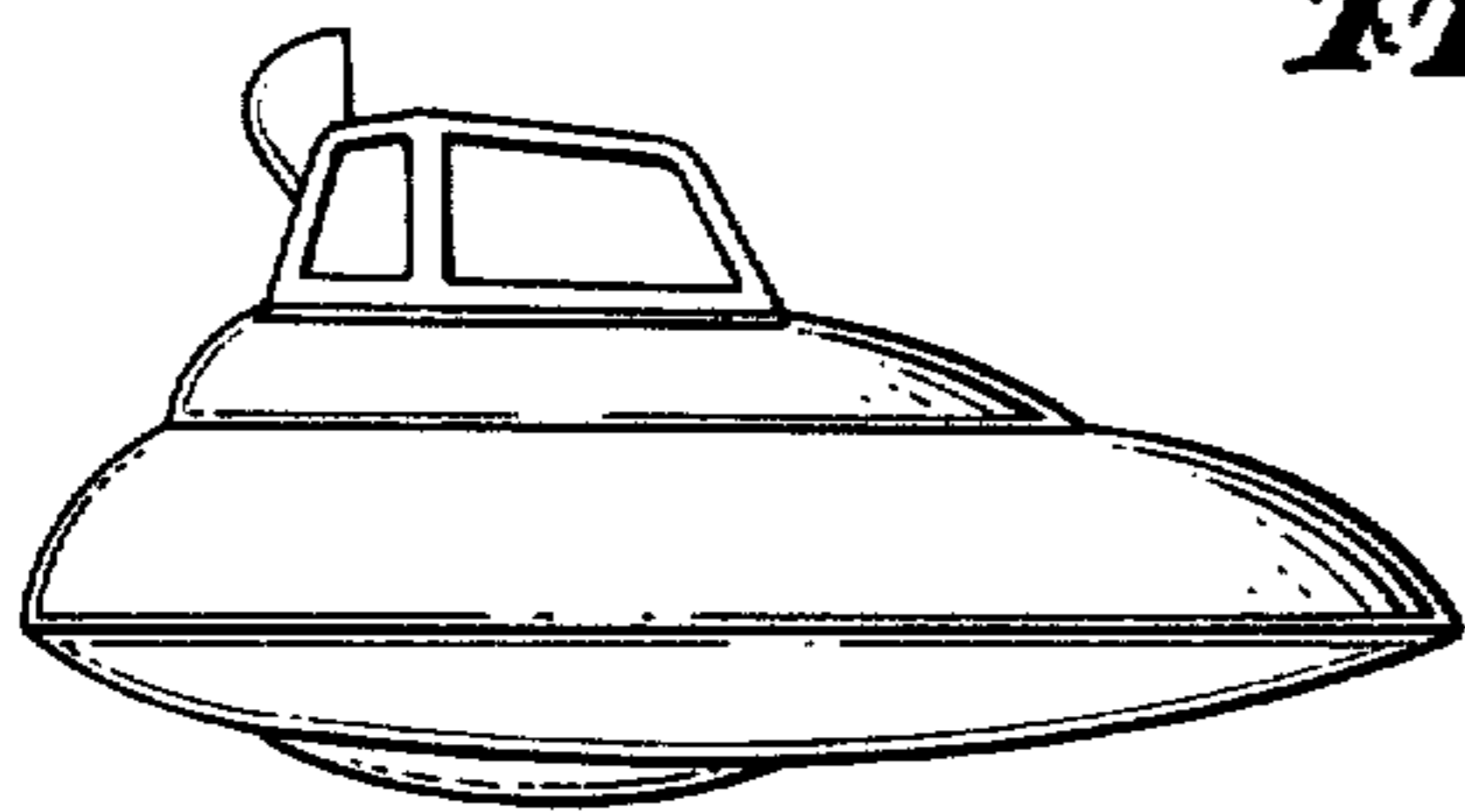


Fig. 6.

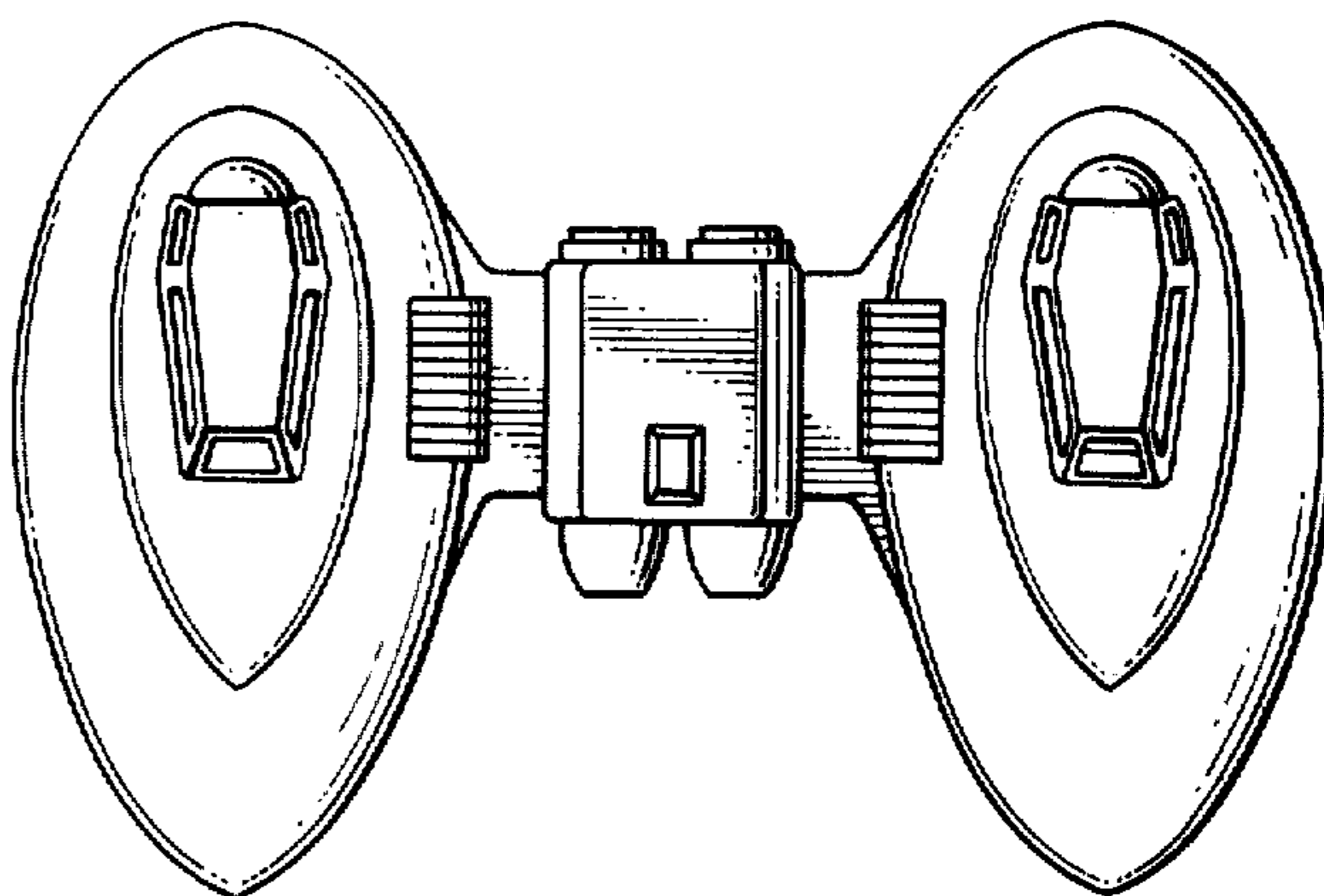


Fig. 7.

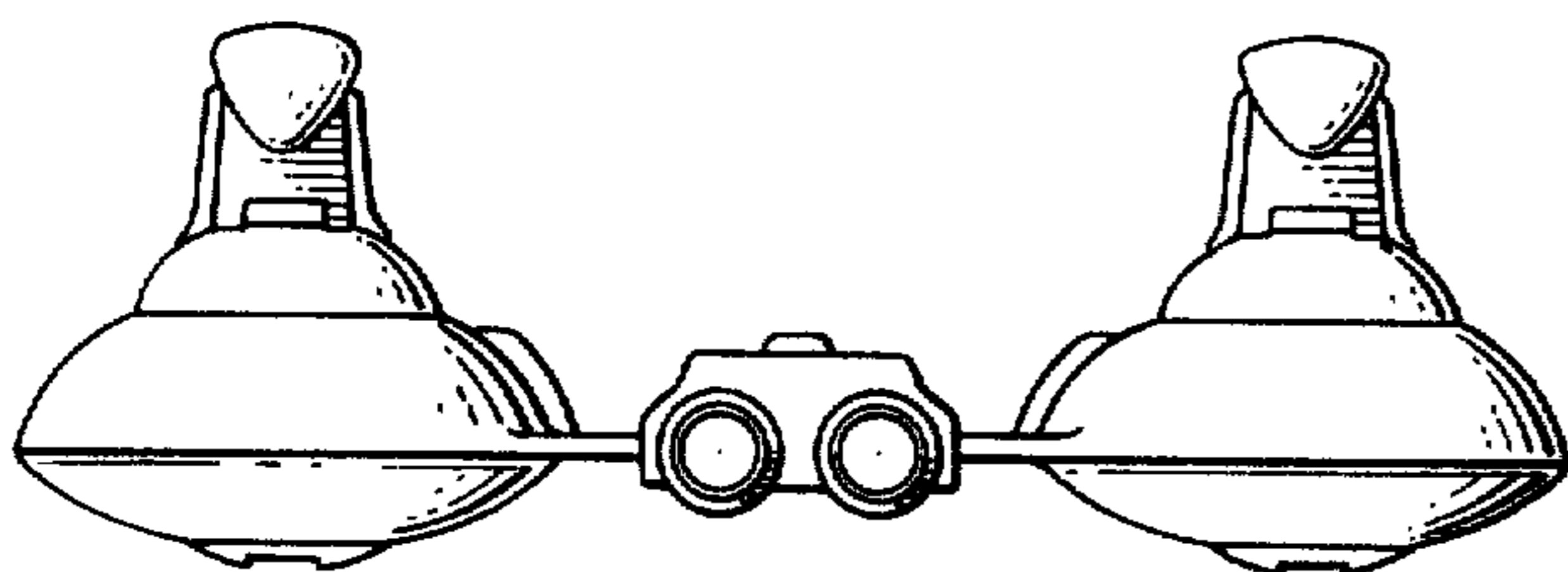


Fig. 8.

