

[54] EDUCATIONAL TOY RATTLE

[75] Inventors: Shinroku Nakao, Yokohama;
Yoshiyasu Ishii; Susumu Matsumoto,
both of Tokyo, all of Japan

[73] Assignee: Combi Co., Ltd., Tokyo, Japan

[**] Term: 14 Years

[21] Appl. No.: 188,157

[22] Filed: Sep. 17, 1980

[30] Foreign Application Priority Data
Apr. 22, 1980 [JP] Japan 55-15880

[51] Int. Cl. D21--01

[52] U.S. Cl. D21/65; D19/59

[58] Field of Search D21/64, 65, 107, 108;
46/193, 192; D19/59

[56] References Cited

U.S. PATENT DOCUMENTS

D. 46,969	2/1915	Sametz et al.	D21/65
D. 139,960	1/1945	Allen	D21/65
D. 231,738	6/1974	Brass	D19/59

Primary Examiner—Charles A. Rademaker
Attorney, Agent, or Firm—Sughrue, Mion, Zinn,
Macpeak & Seas

[57] CLAIM

The ornamental design for an educational toy rattle, as shown and described.

DESCRIPTION

FIG. 1 is a front, top and right side perspective view of an educational toy rattle showing our new design; FIG. 2 is a rear, top and left side perspective view thereof; FIG. 3 is a top plan view thereof, the bottom plan view being a mirror image thereof; FIG. 4 is a right side elevational view thereof; FIG. 5 is a rear elevational view thereof; FIG. 6 is a left side elevational view thereof; and FIG. 7 is a front elevational view thereof.

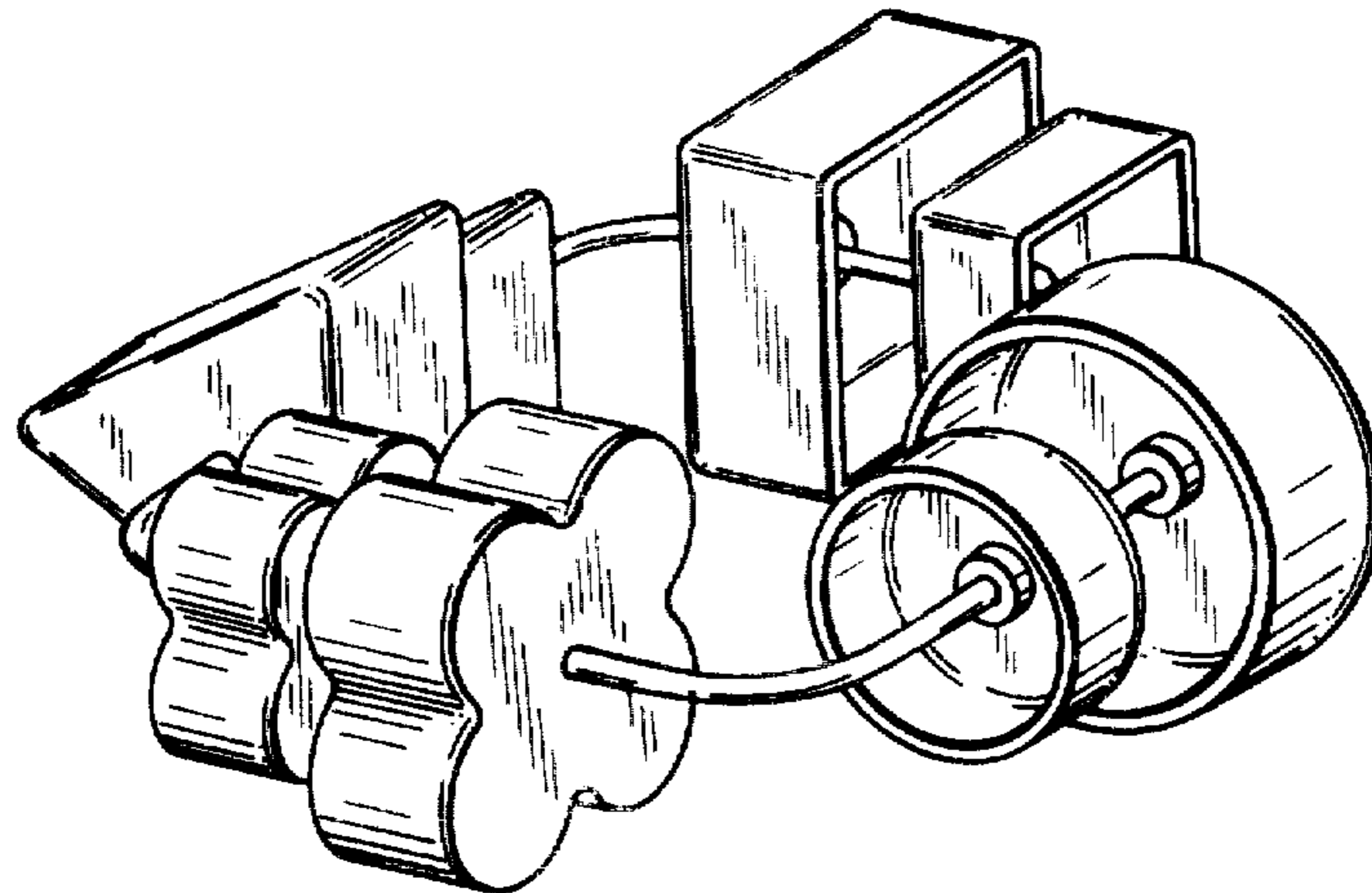


FIG. 1

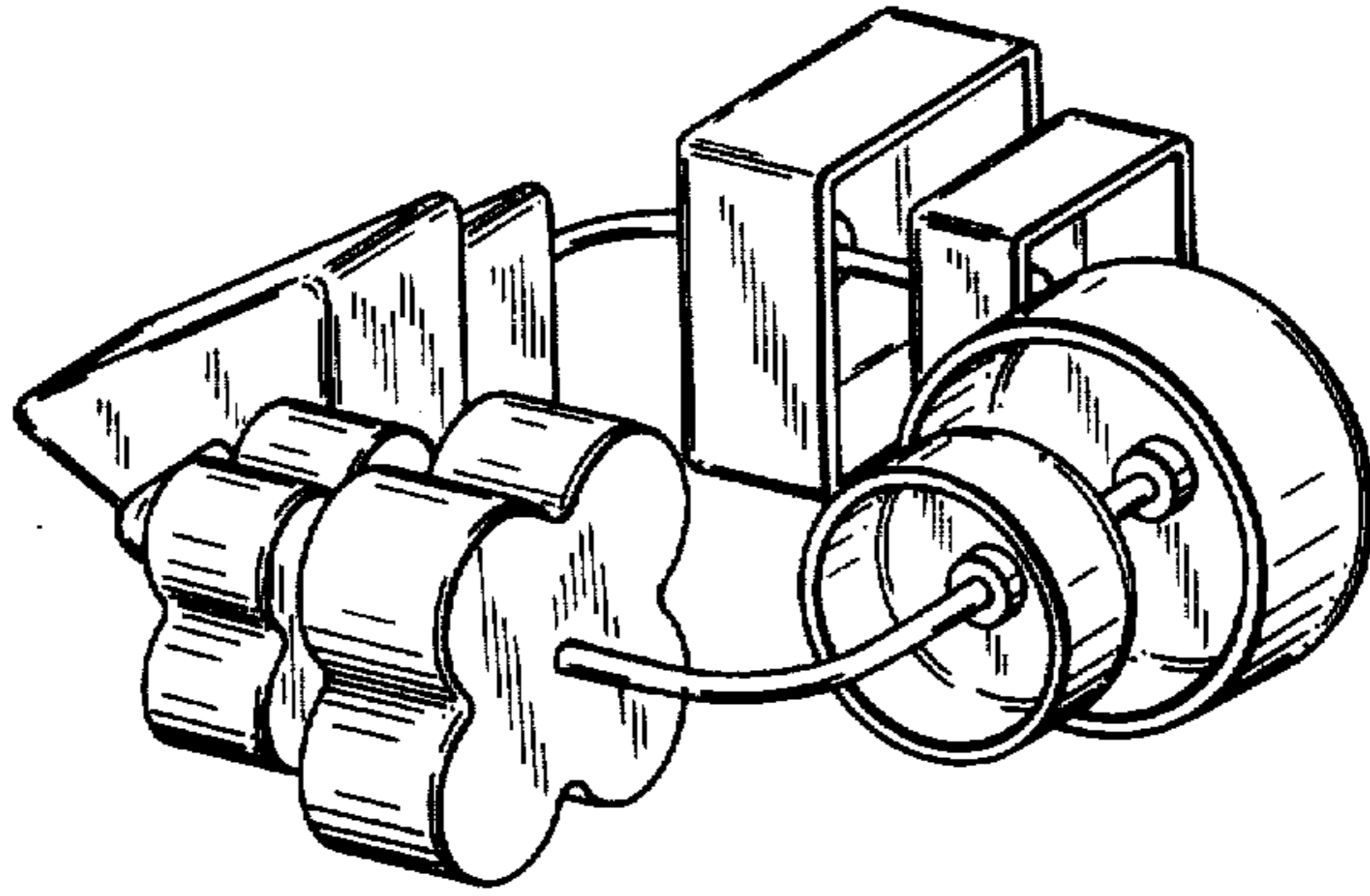


FIG. 2

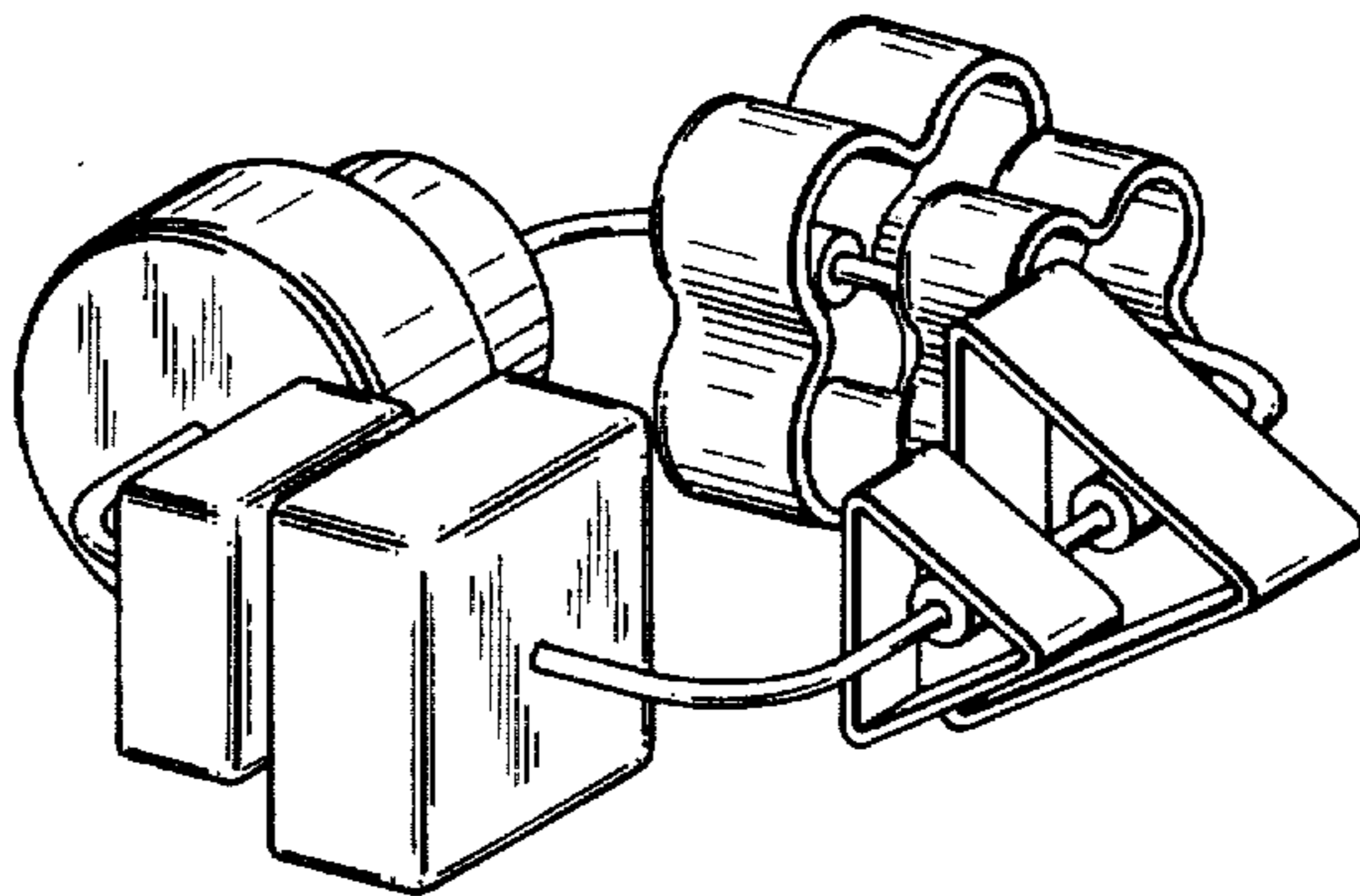


FIG. 3

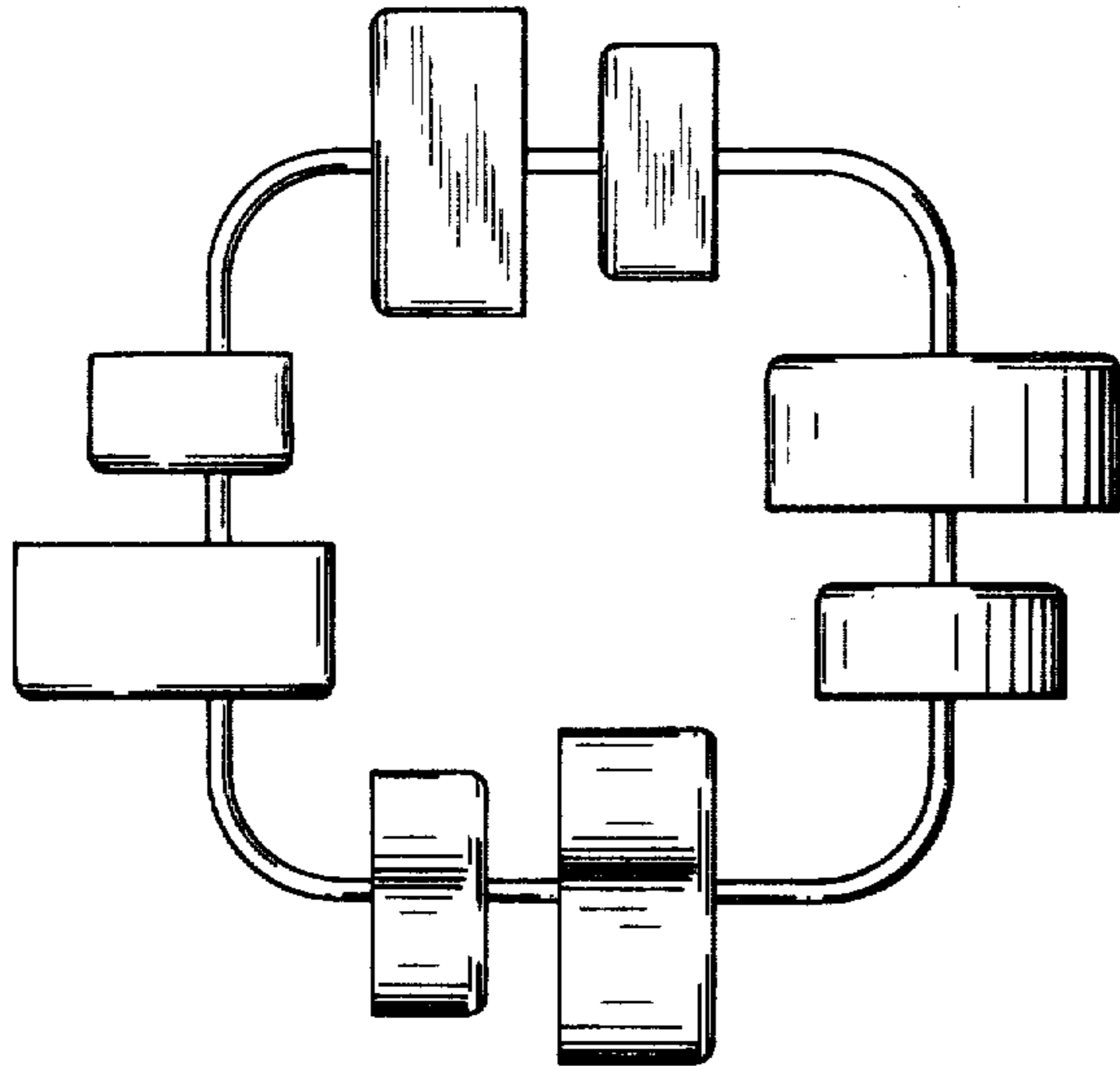


FIG. 4

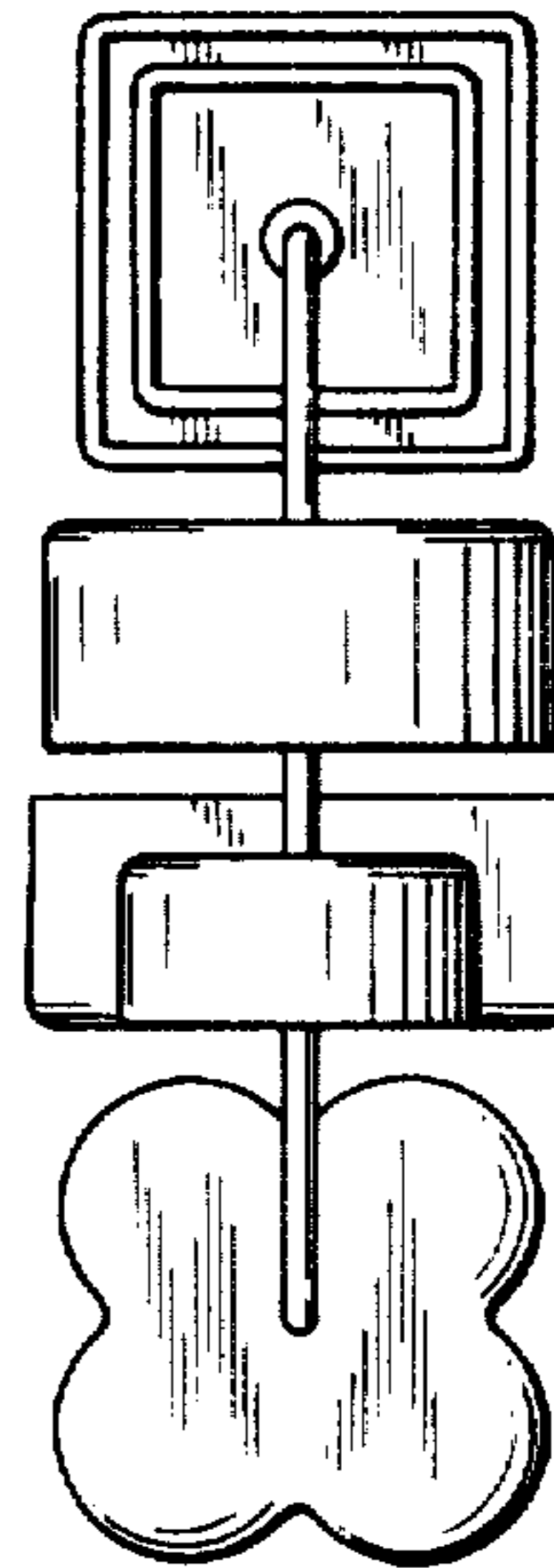


FIG. 5

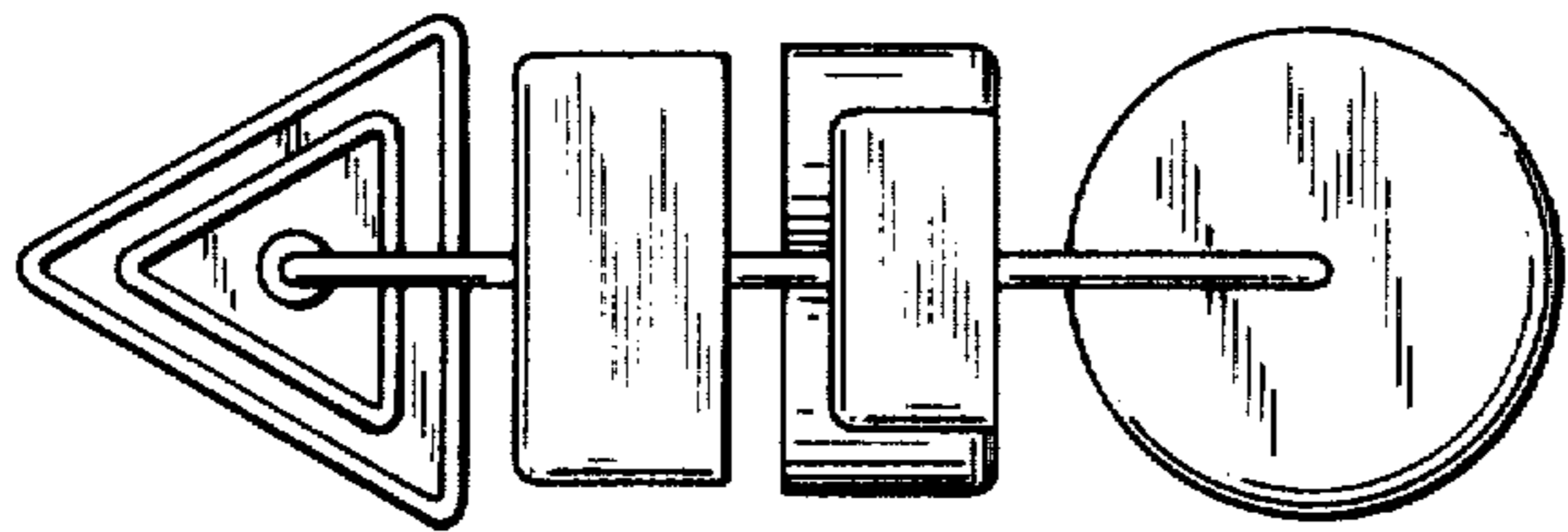


FIG. 6

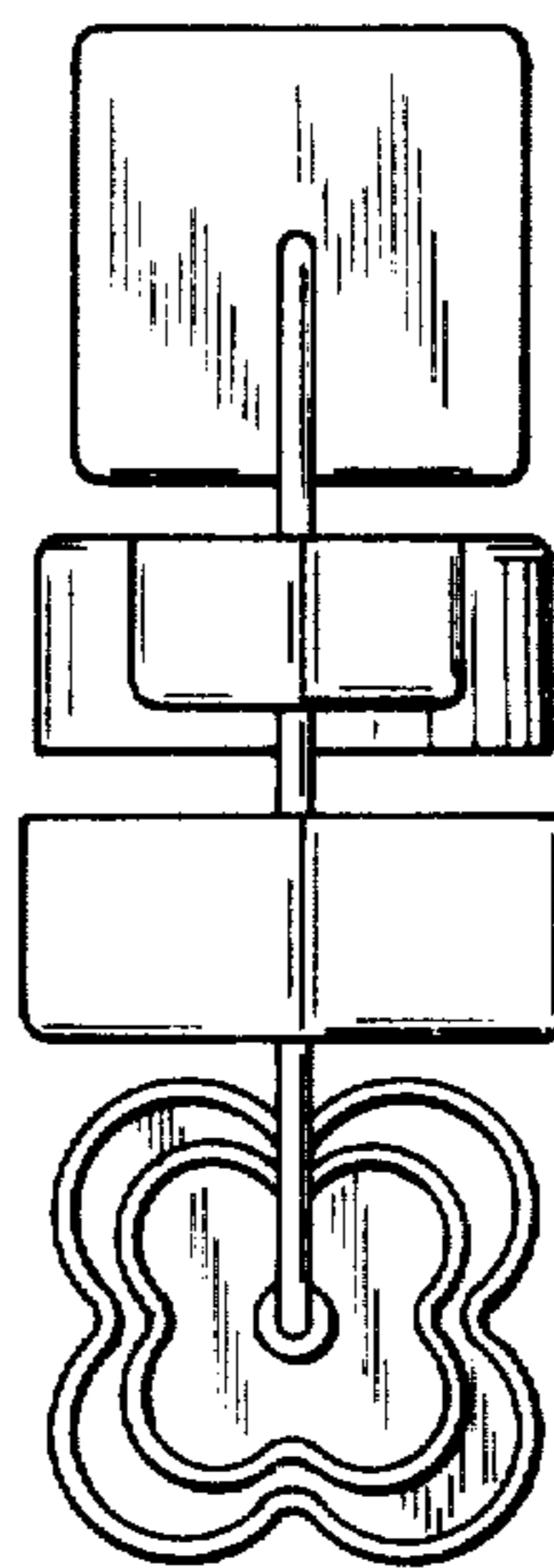


FIG. 7

