

[54] GAME TABLE

[76] Inventor: Andrew D. Jackson, 4314 Commonwealth Ave., Apt. A-8, Charlotte, N.C. 28205

[**] Term: 14 Years

[21] Appl. No.: 148,981

[22] Filed: May 12, 1980

[51] Int. Cl. D21-01

[52] U.S. Cl. D21/14; D21/34

[58] Field of Search D21/14, 15, 16, 32, D21/33, 34; 273/248, 285

[56] References Cited

U.S. PATENT DOCUMENTS

136,200 2/1873 Arms 273/285

OTHER PUBLICATIONS

Gift & Decorative Accessories, Aug. 1975, p. 138, lower left, table.

Casa Bella Inc., Flyer, Backgammon Table.

Sears, Roebuck & Co., 1935-1936, Fall & Winter, p. 516E, lower right, table.

Primary Examiner—Melvin B. Feifer

Attorney, Agent, or Firm—Bell, Seltzer, Park & Gibson

[57] CLAIM

The ornamental design for a game table, as shown and described.

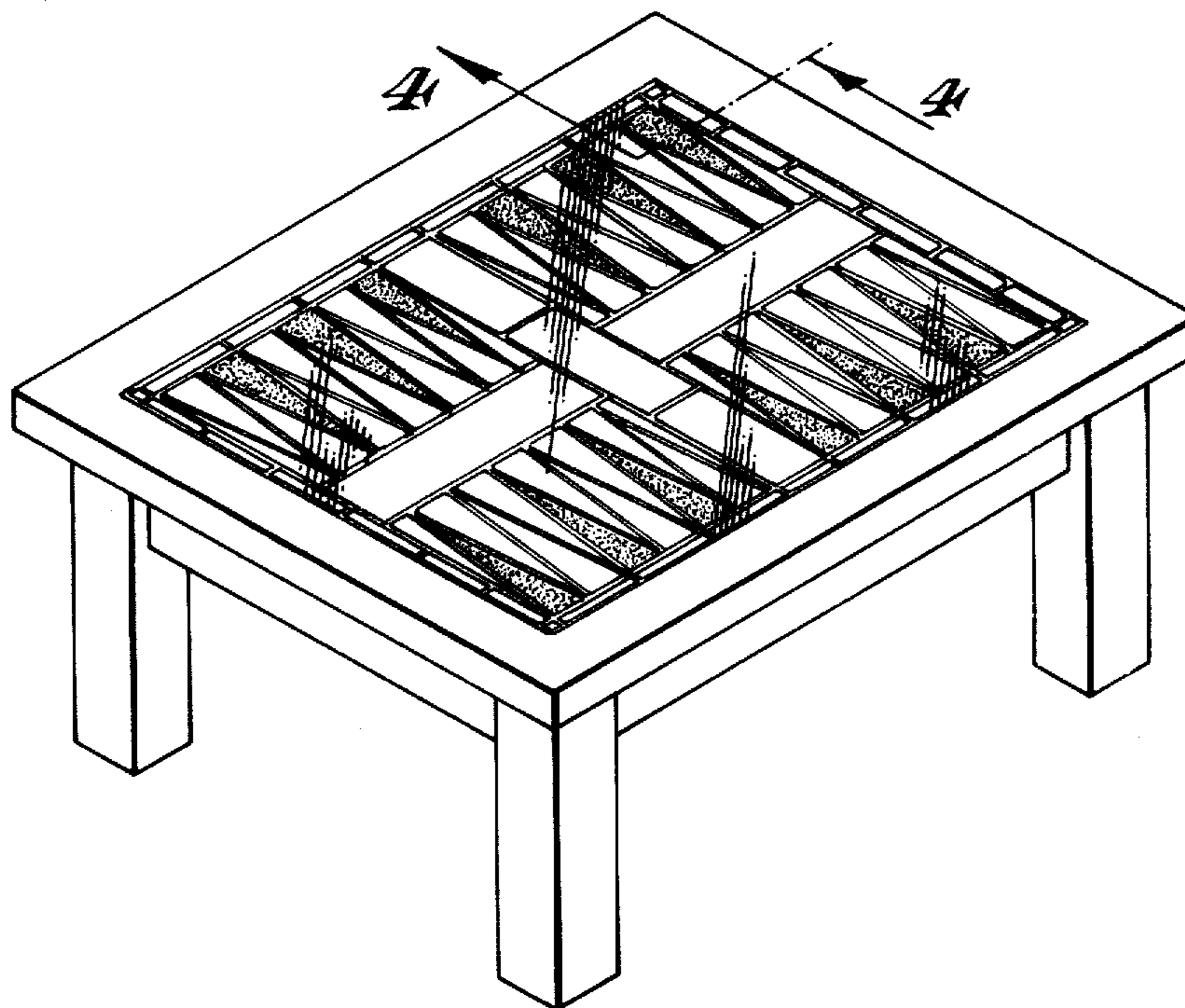
DESCRIPTION

FIG. 1 is a front isometric view of a game table showing my new design;

FIG. 2 is a top plan view thereof, at a reduced scale;

FIG. 3 is a rear elevational view looking from the opposite side of FIG. 1, and also at a reduced scale; and

FIG. 4 is an enlarged fragmentary vertical sectional view taken substantially along the line 4-4 in FIG. 1.



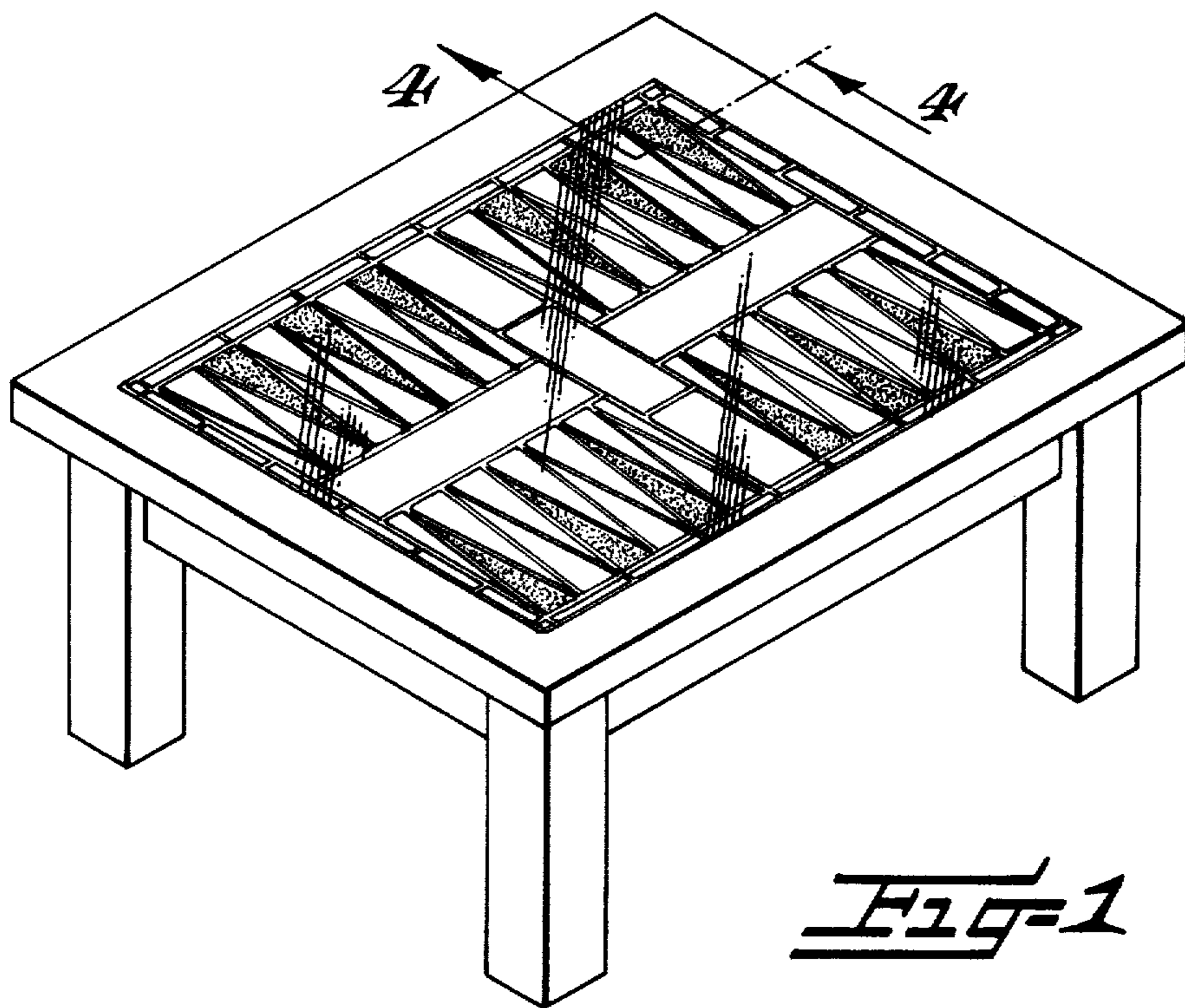


Fig-1

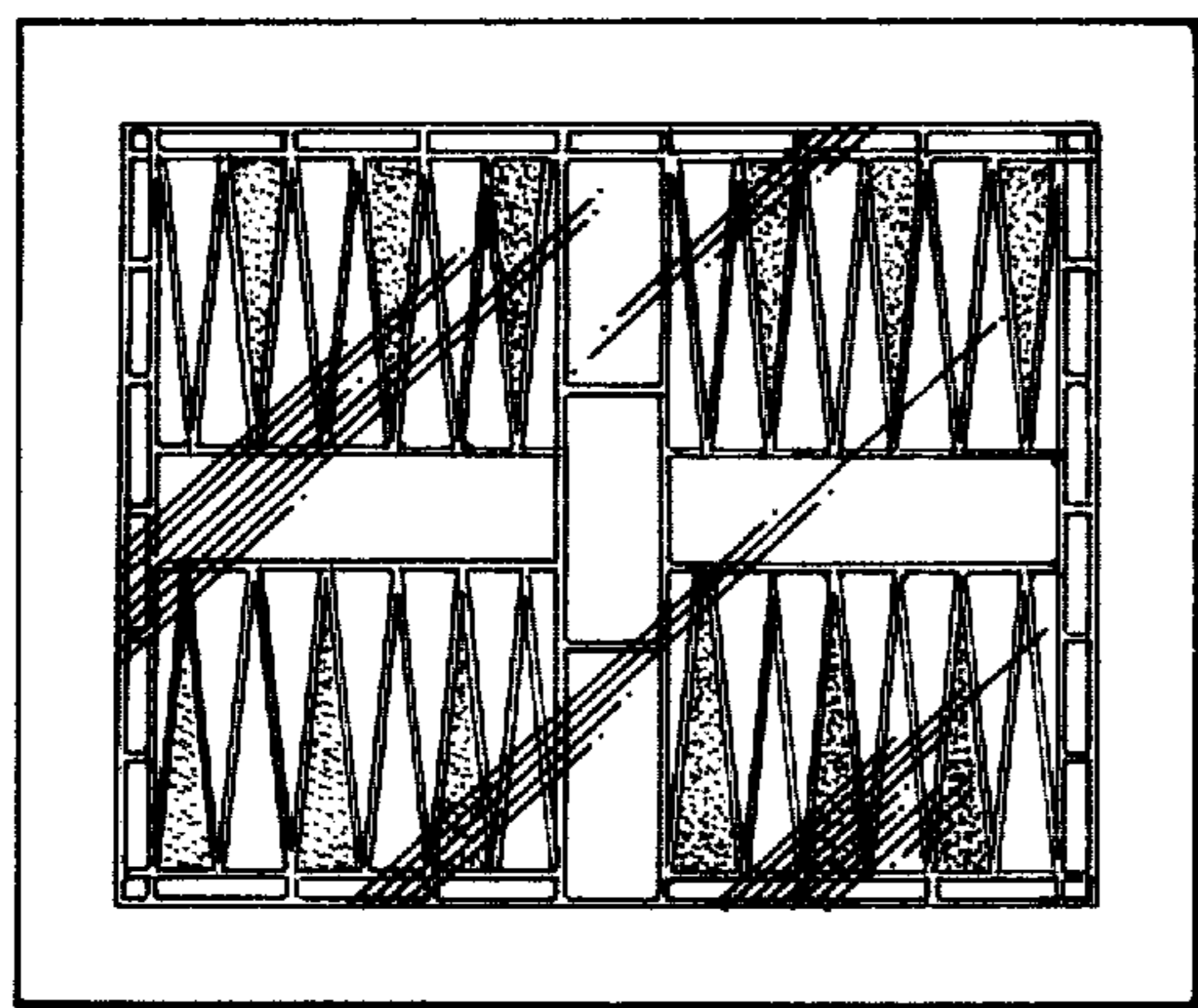


Fig-2

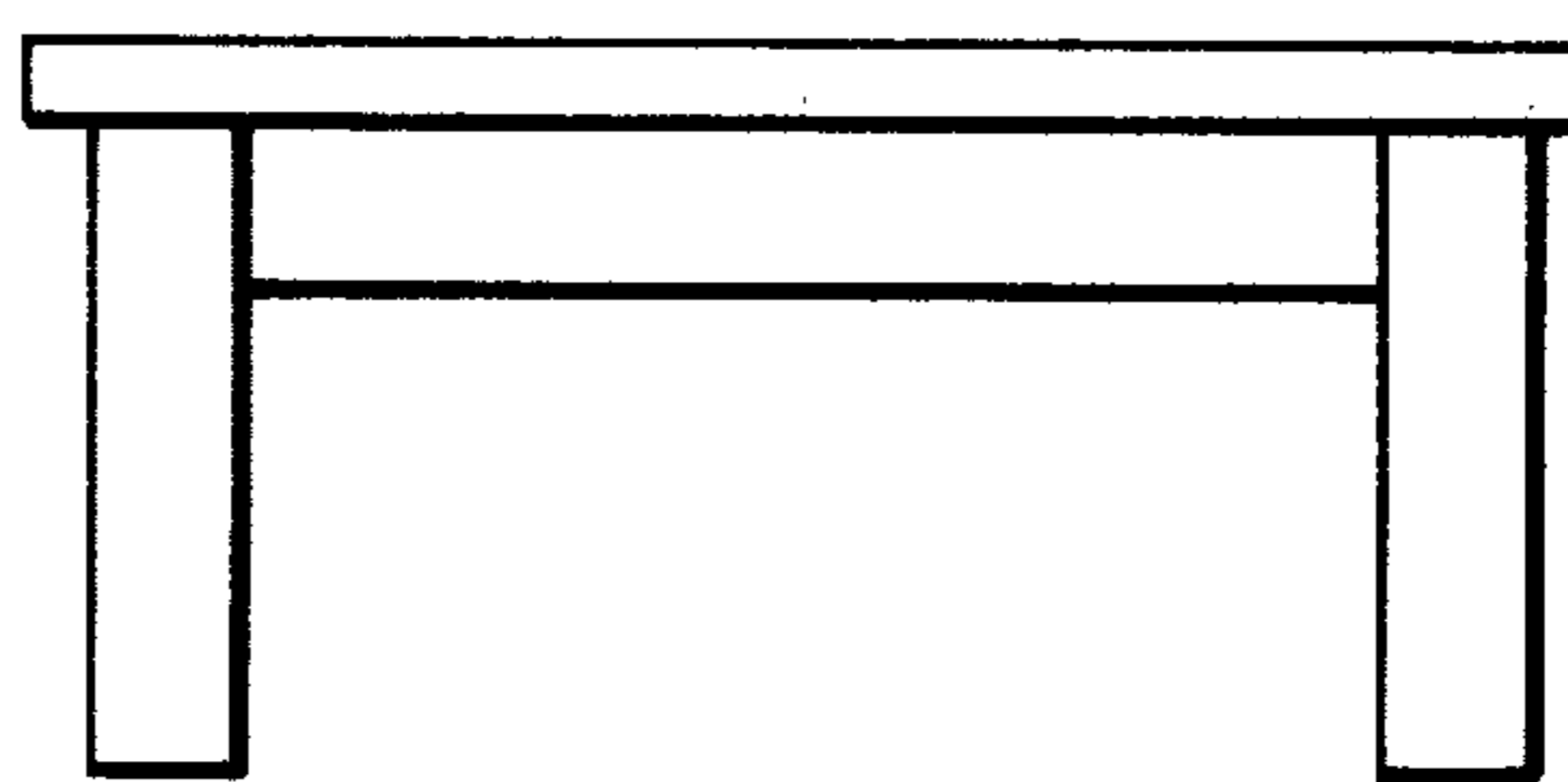


Fig-3

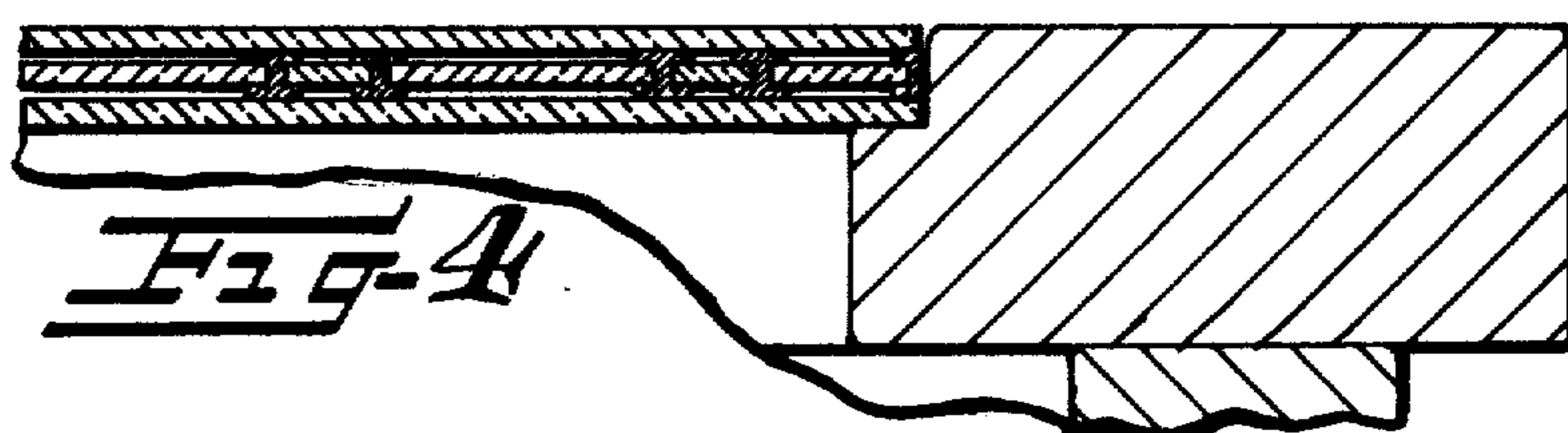


Fig-4