

[54] ELECTROSTATIC COPIER

[75] Inventor: Tetuya Goto, Yokohama, Japan

[73] Assignee: Ricoh Co., Ltd., Tokyo, Japan

[\*\*] Term: 7 Years

[21] Appl. No.: 181,629

[22] Filed: Aug. 26, 1980

[30] Foreign Application Priority Data

Mar. 7, 1980 [JP] Japan ..... 8885

[51] Int. Cl. .... D16-03

[52] U.S. Cl. .... D16/30

[58] Field of Search ..... D16/27-32;  
355/3 R, 7-9, 11, 75-78, 128, 131

[56] References Cited

U.S. PATENT DOCUMENTS

- D. 200,129 1/1965 Plantholt ..... D16/30
- D. 225,279 11/1972 Matwey ..... D16/30
- D. 227,600 7/1973 Noyes ..... D16/30
- D. 255,583 6/1980 Goto ..... D16/30

- D. 257,984 1/1981 Kurozumi ..... D16/31
- D. 261,145 10/1981 Etoh ..... D16/30
- 3,589,808 6/1971 Del Vecchio ..... 355/8 X

Primary Examiner—Nelson C. Holtje  
Attorney, Agent, or Firm—Wyatt, Gerber, Shoup,  
Scobey & Badie

[57] CLAIM

The ornamental design for an electrostatic copier, as shown and described.

DESCRIPTION

FIG. 1 is a front, top and right side perspective view of an electrostatic copier showing my new design; FIG. 2 is a front elevational view thereof; FIG. 3 is a top plan view thereof; FIG. 4 is a left side elevational view thereof; FIG. 5 is a right side elevational view thereof; FIG. 6 is a rear elevational view thereof; FIG. 7 is a bottom view thereof; and FIG. 8 is a front, top and right side perspective view thereof with the paper dispensing and receiving trays in the operational position.

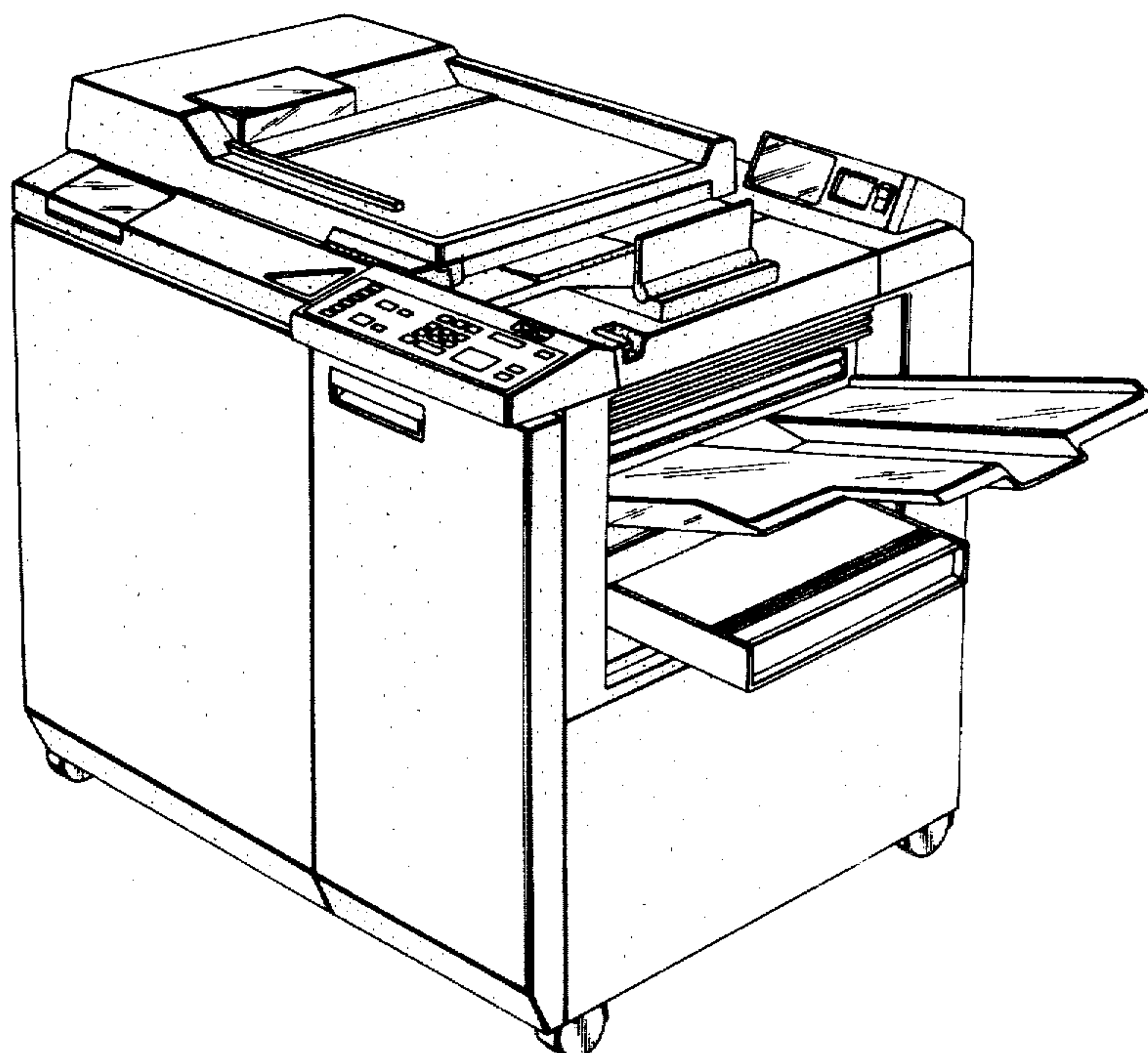


FIG. 1

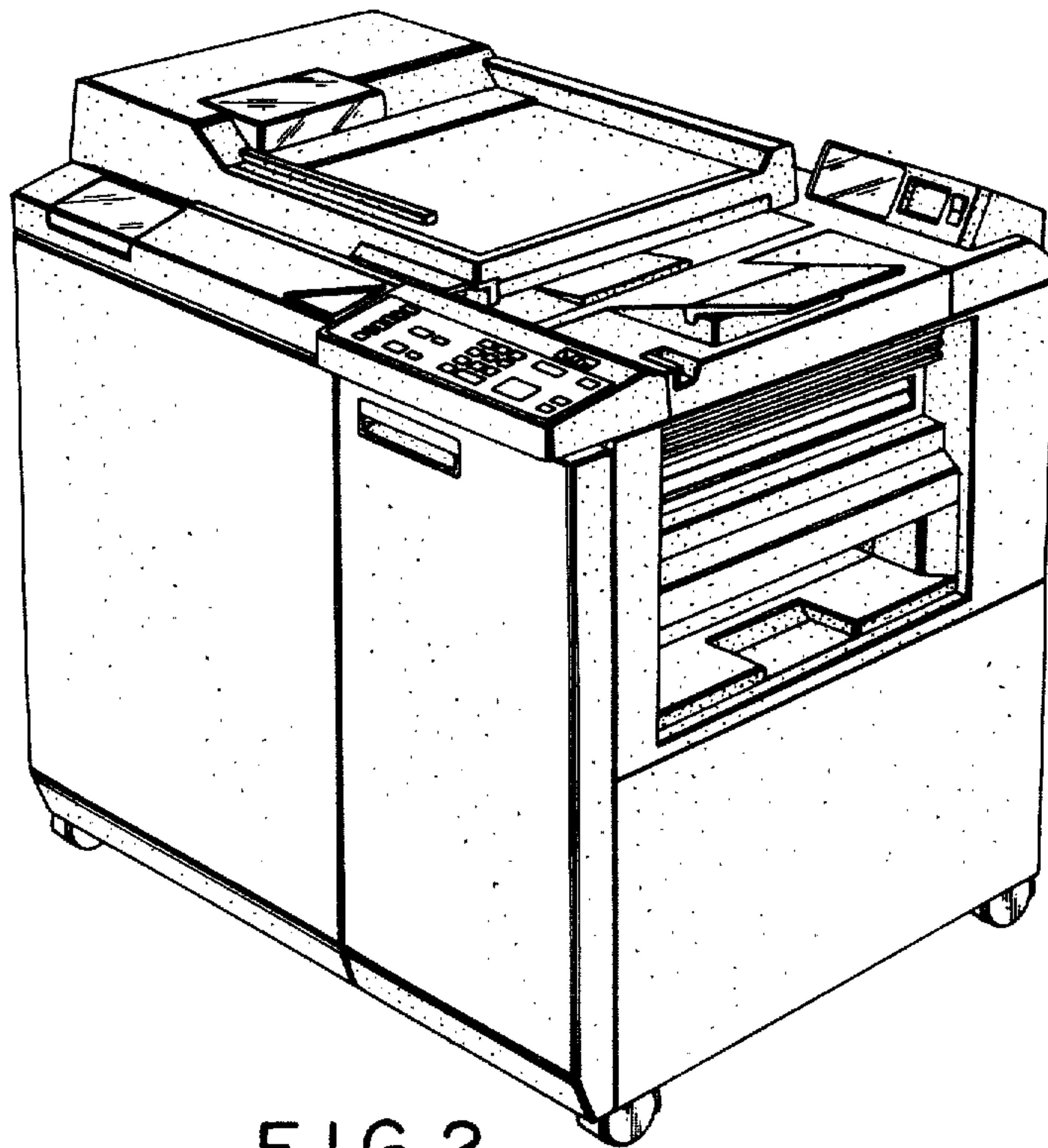


FIG. 2

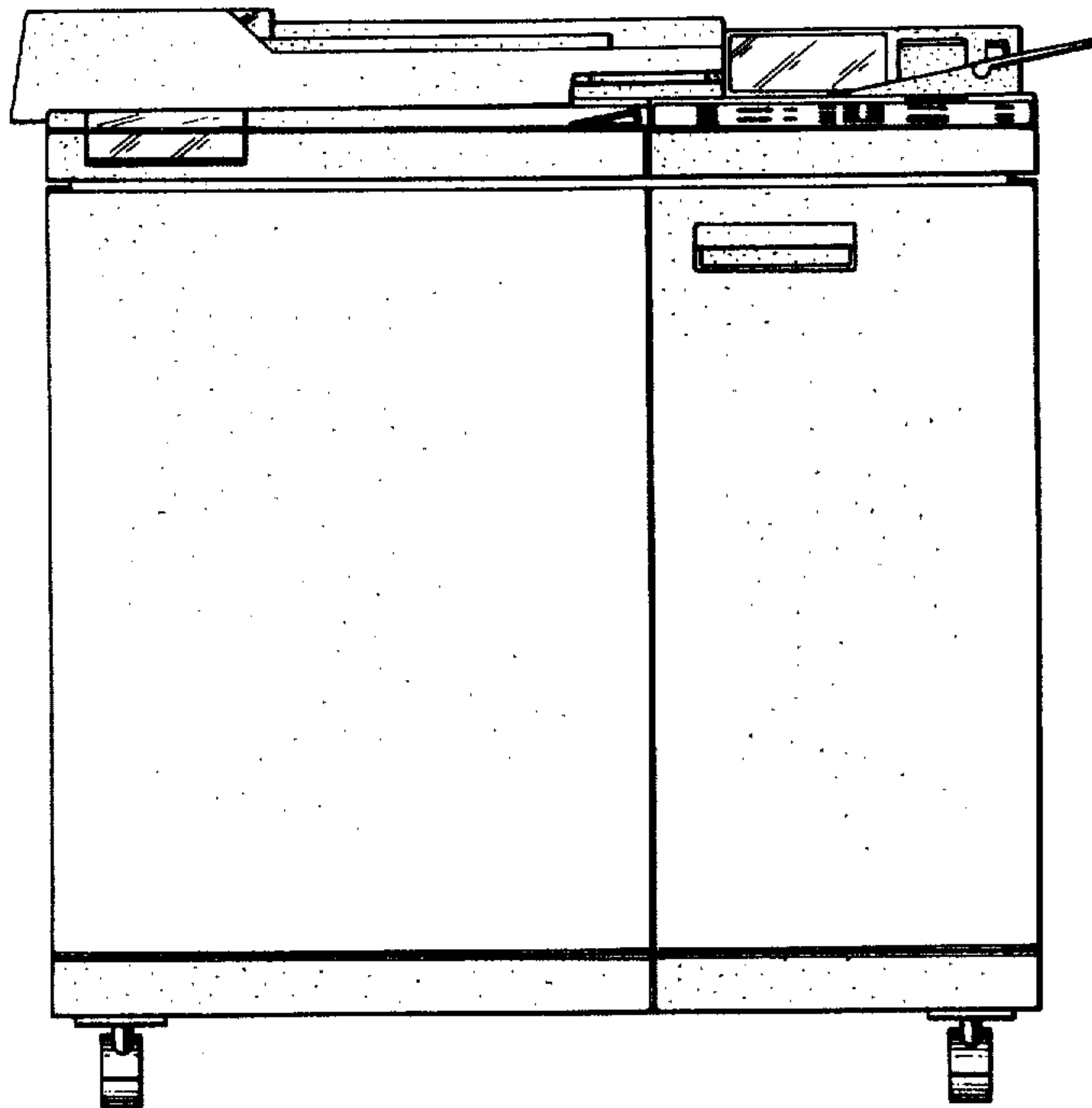


FIG. 3

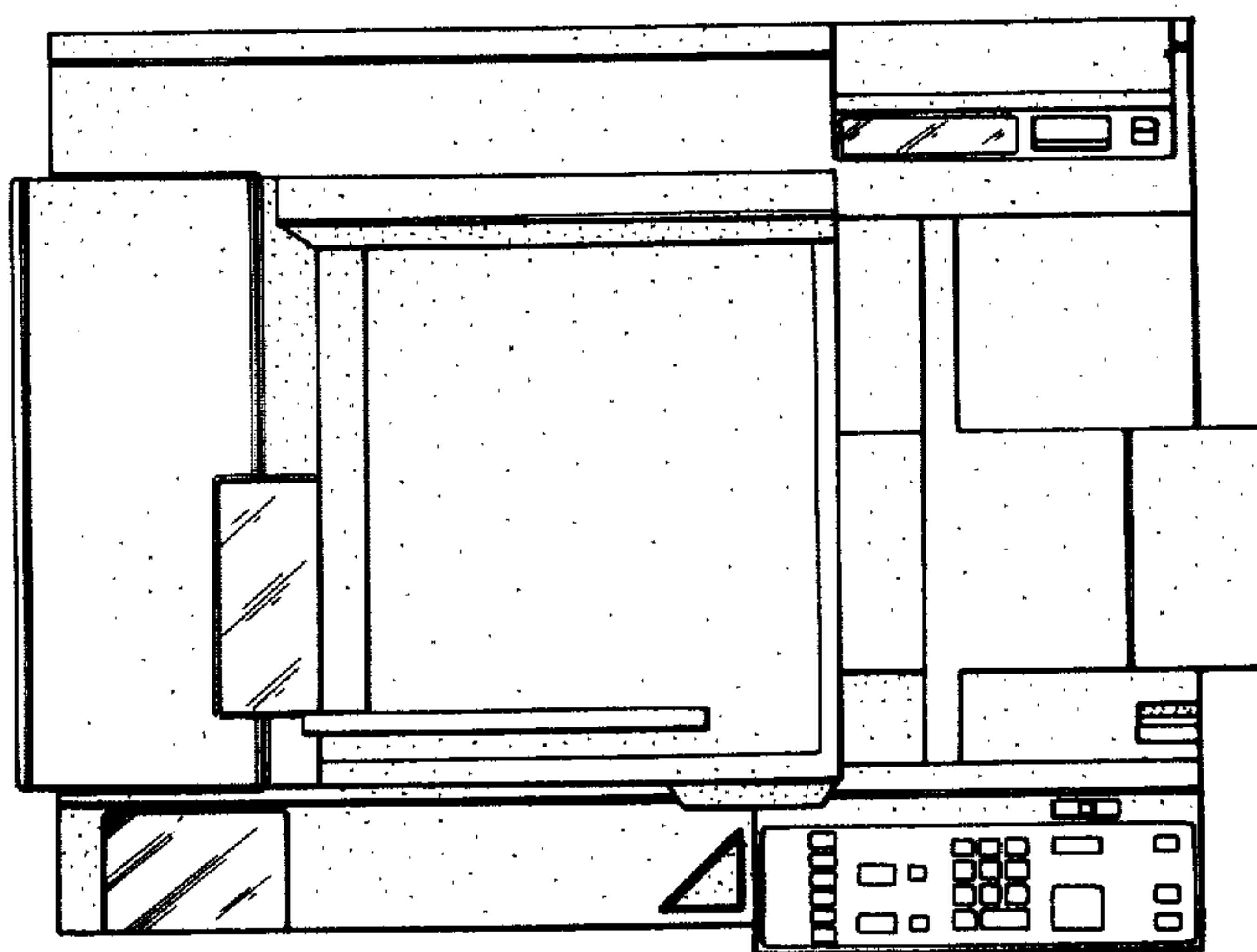


FIG. 4

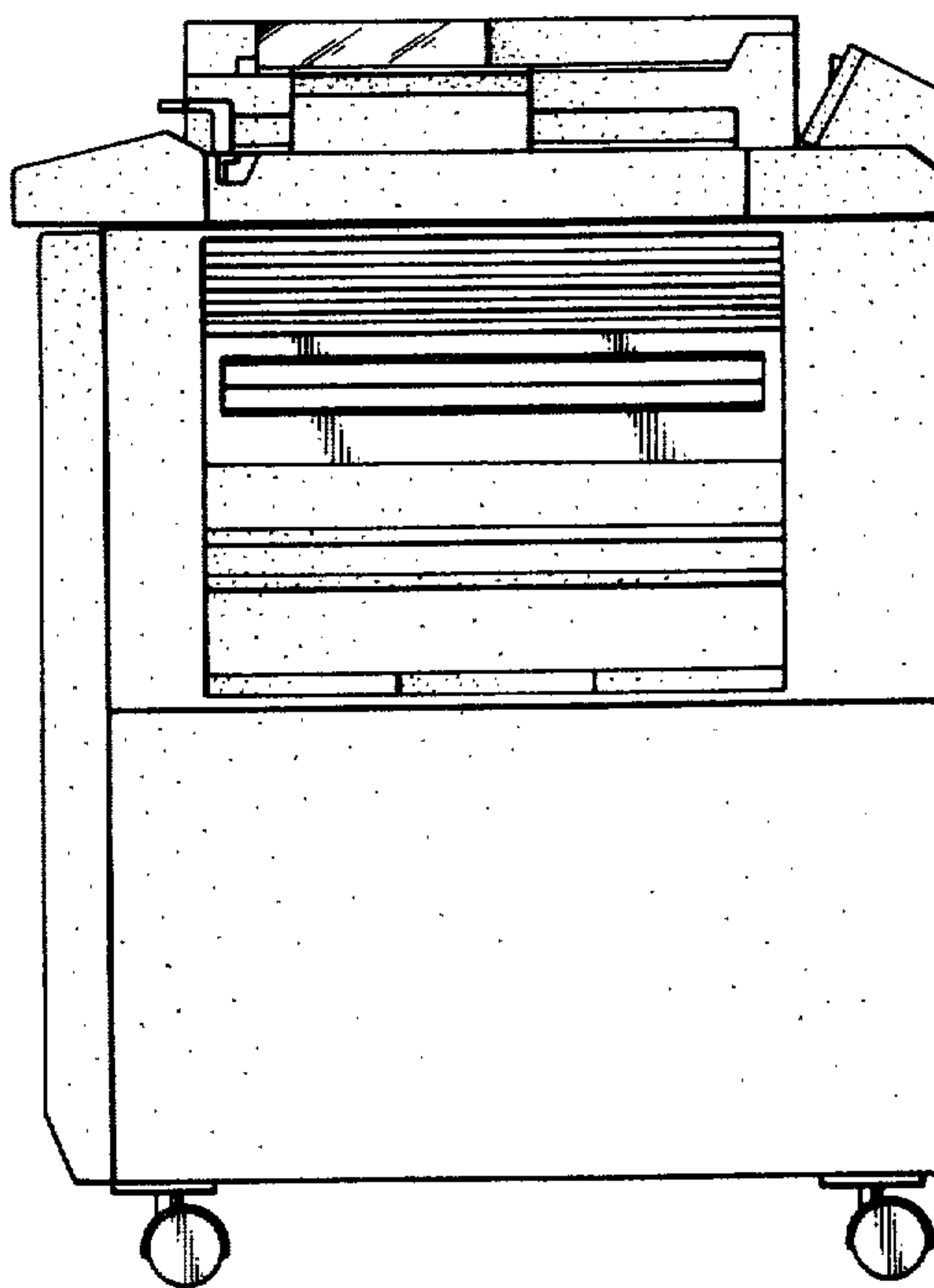


FIG. 5

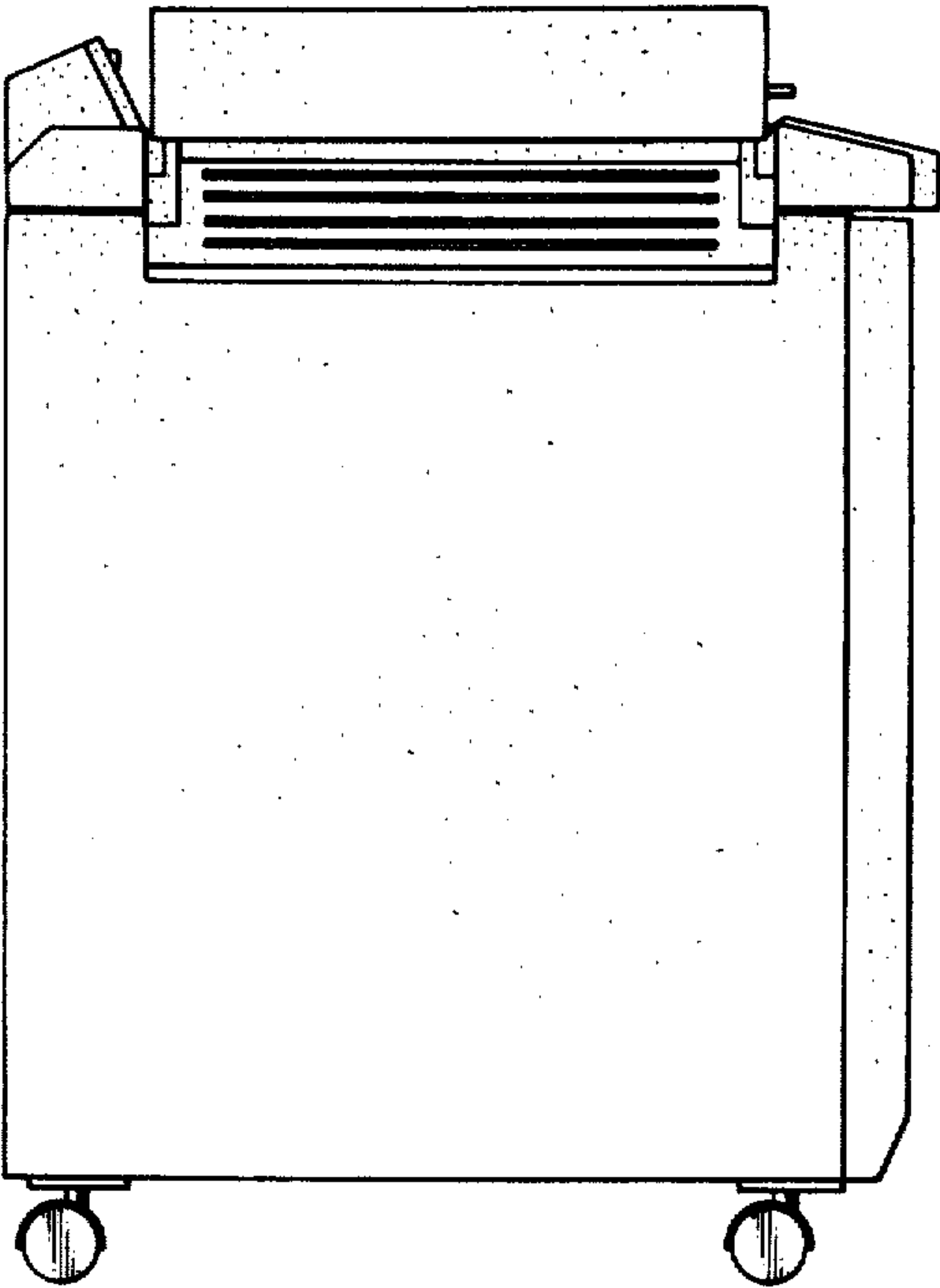


FIG. 6

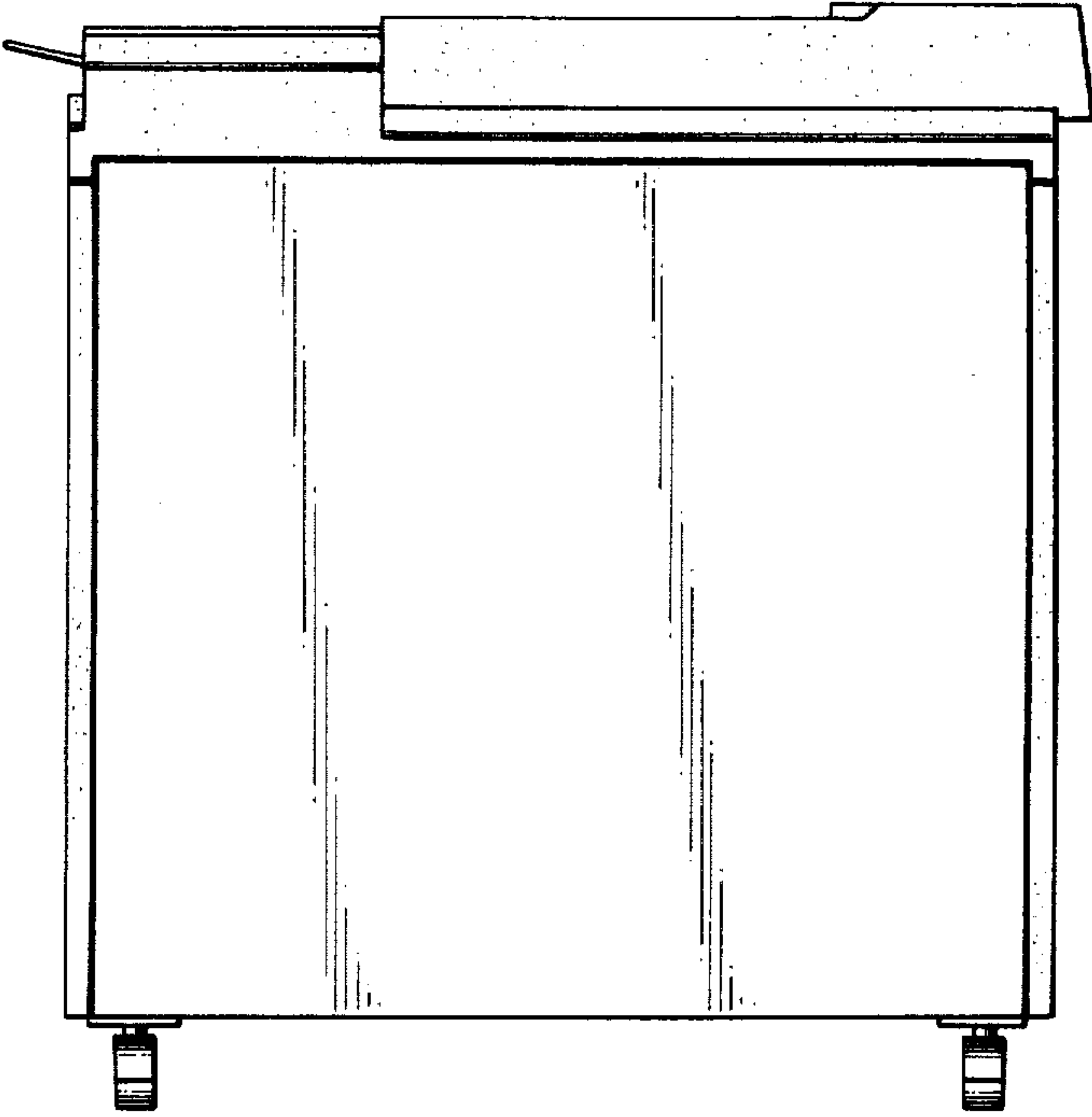


FIG. 7

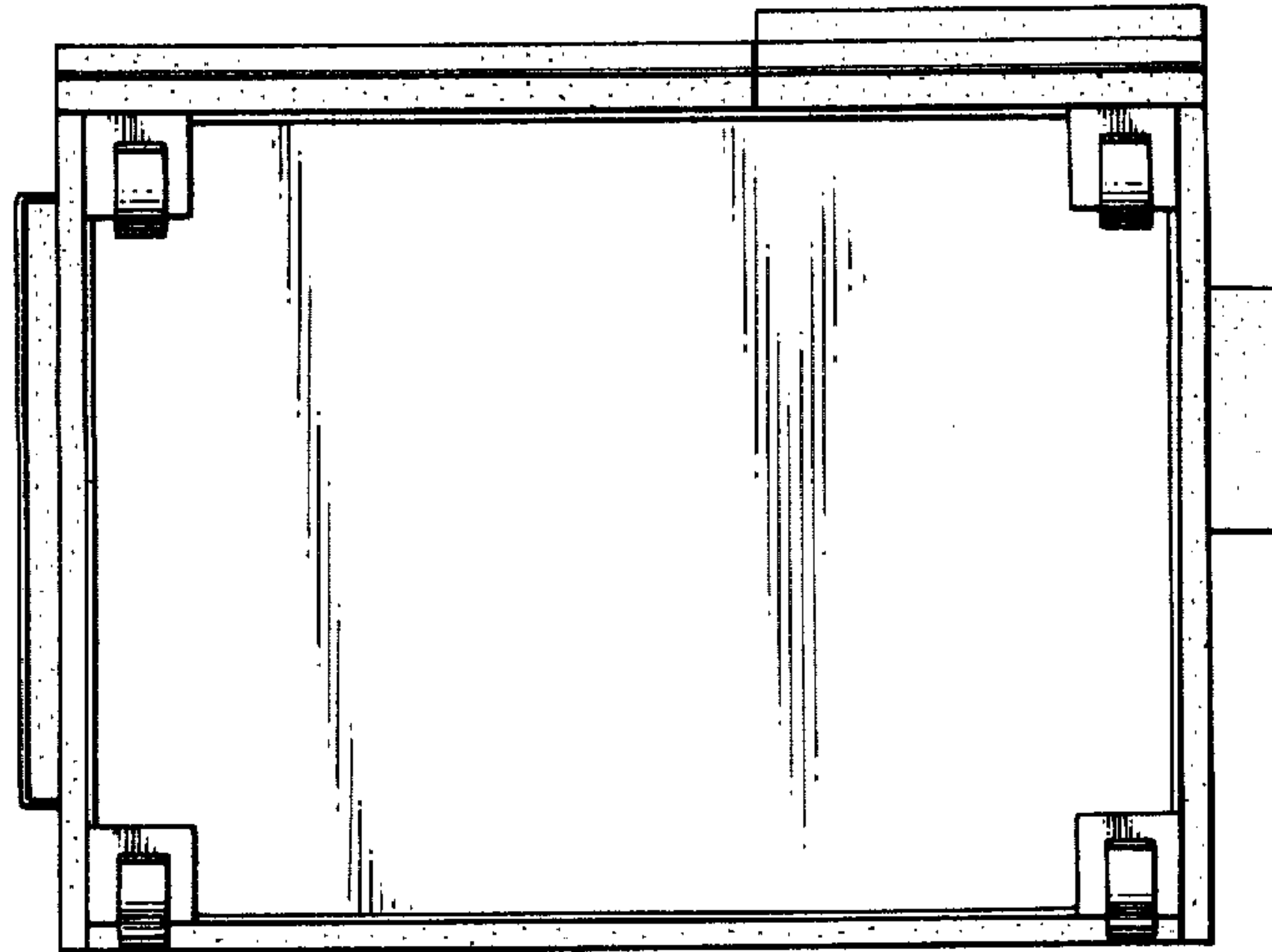


FIG. 8

