

[54] SEWING MACHINE  
 [75] Inventor: Yoshiaki Eguchi, Higashi-Murayama, Japan  
 [73] Assignee: Janome Sewing Machine Co. Ltd., Tokyo, Japan  
 [\*\*] Term: 14 Years  
 [21] Appl. No.: 90,483  
 [22] Filed: Nov. 1, 1979  
 [51] Int. Cl. .... D15-06  
 [52] U.S. Cl. .... D15/70  
 [58] Field of Search ..... D15/66, 68, 69, 70; 112/163, 165, 167, 258, 168

3,587,500 6/1971 Fresard ..... 112/258  
 4,241,472 12/1980 Iannarone ..... 112/258

FOREIGN PATENT DOCUMENTS

2901139 12/1979 Fed. Rep. of Germany ..... 112/163

Primary Examiner—Joel Stearman  
 Assistant Examiner—Carmen H. Vales  
 Attorney, Agent, or Firm—Michael J. Striker

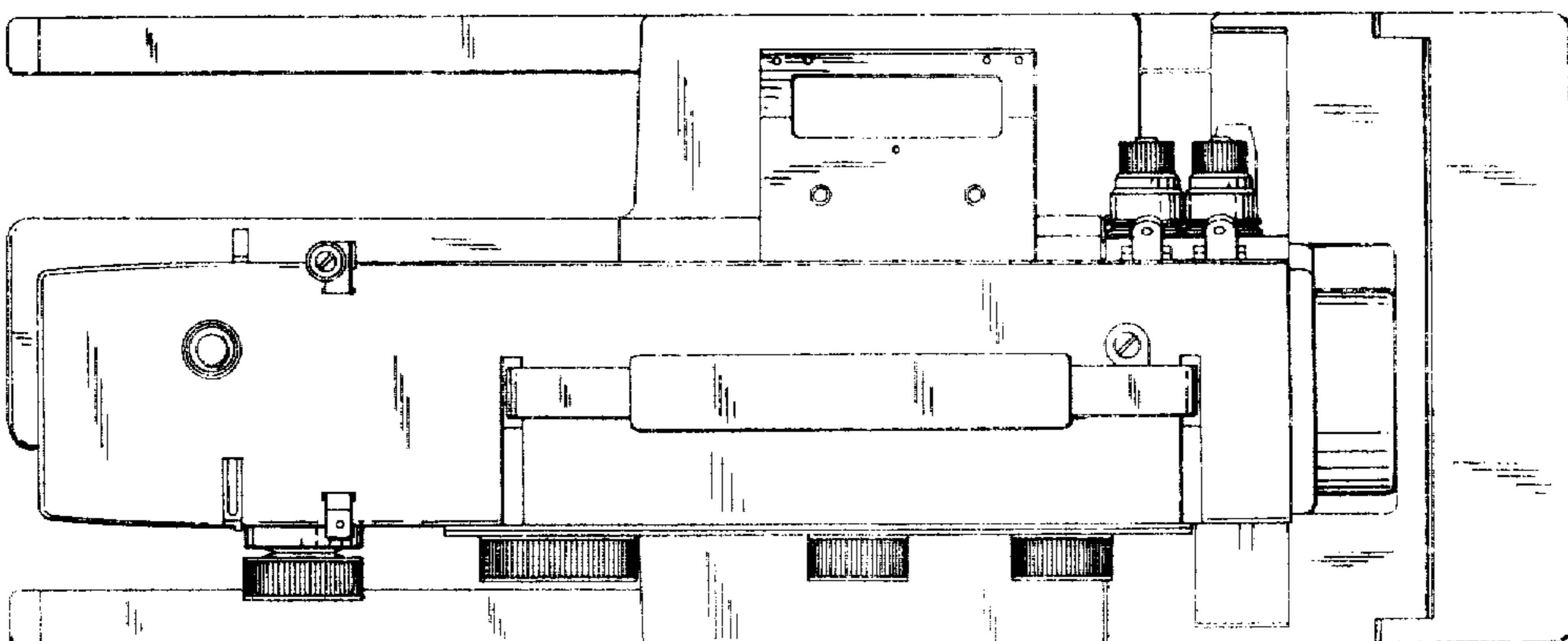
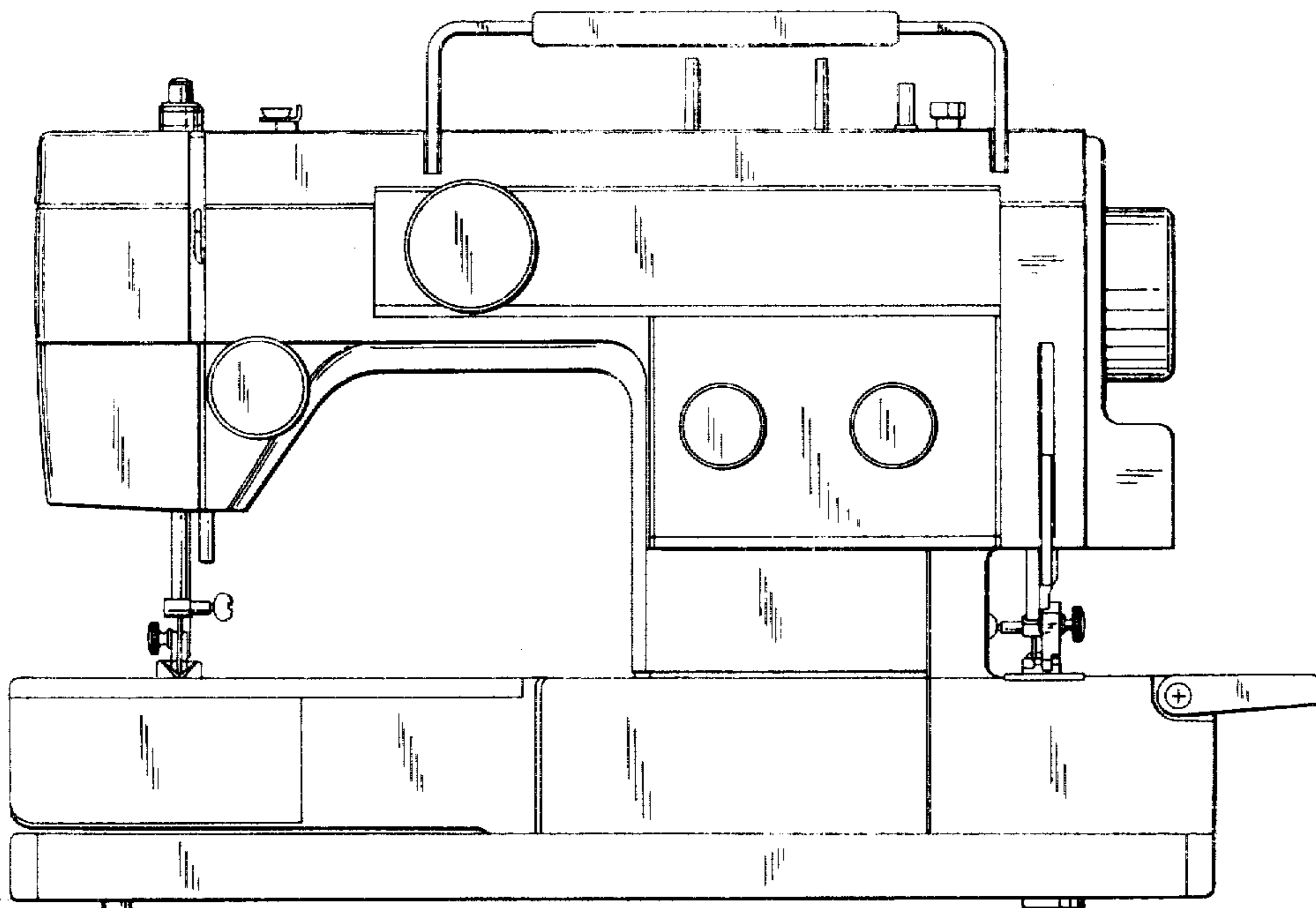
[57] CLAIM

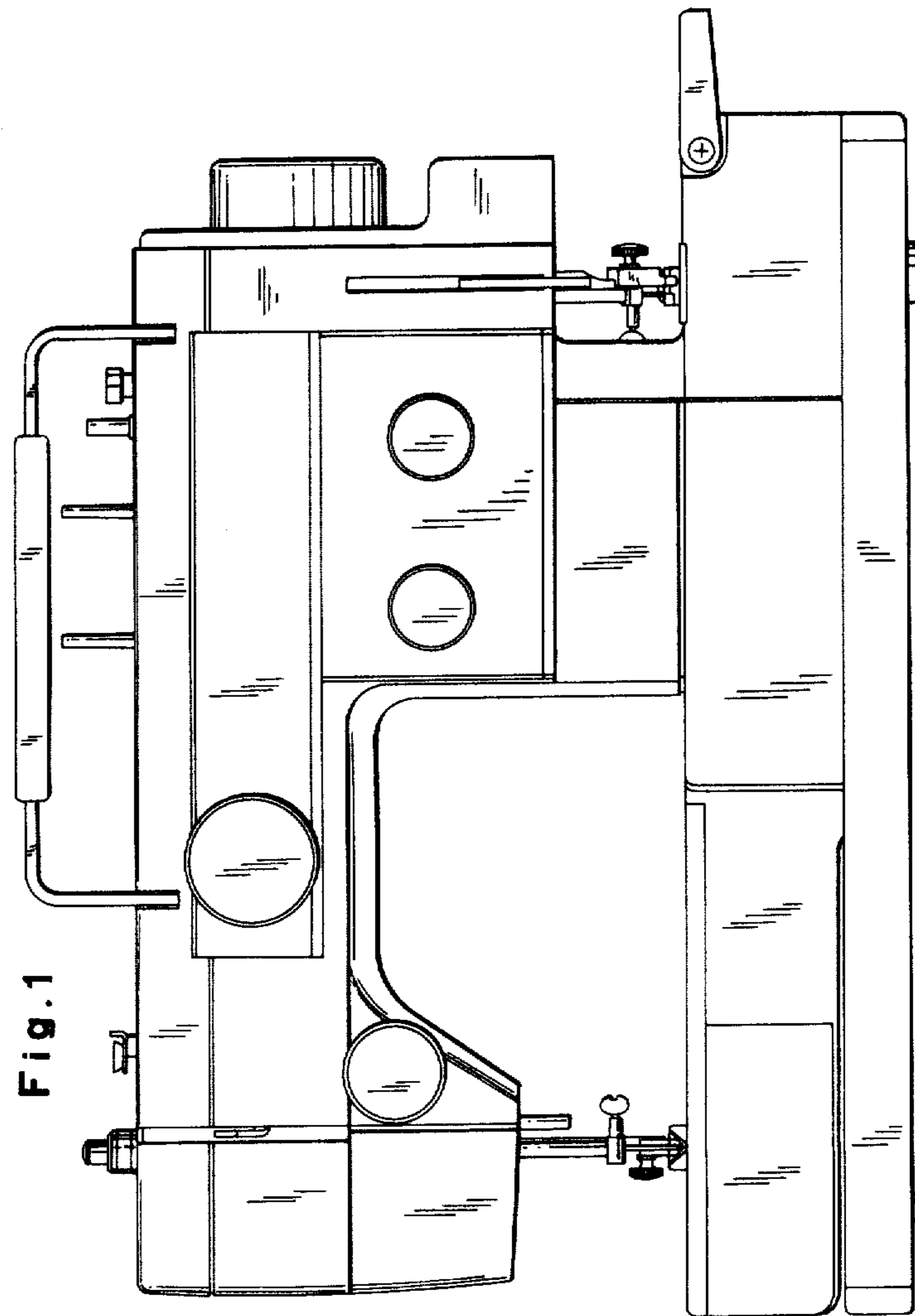
The ornamental design for a sewing machine, substantially as shown.

DESCRIPTION

FIG. 1 is a front elevational view of a sewing machine showing my design;  
 FIG. 2 is a rear elevational view thereof;  
 FIG. 3 is a right-end elevational view thereof;  
 FIG. 4 is a left-end elevational thereof;  
 FIG. 5 is a top plan view thereof; and  
 FIG. 6 is a bottom plan view thereof.

[56] References Cited  
 U.S. PATENT DOCUMENTS  
 D. 249,947 10/1978 Gegauf ..... D15/70  
 2,678,011 5/1954 Peets et al. .... 112/258  
 3,253,560 5/1966 Ketierer et al. .... 112/168





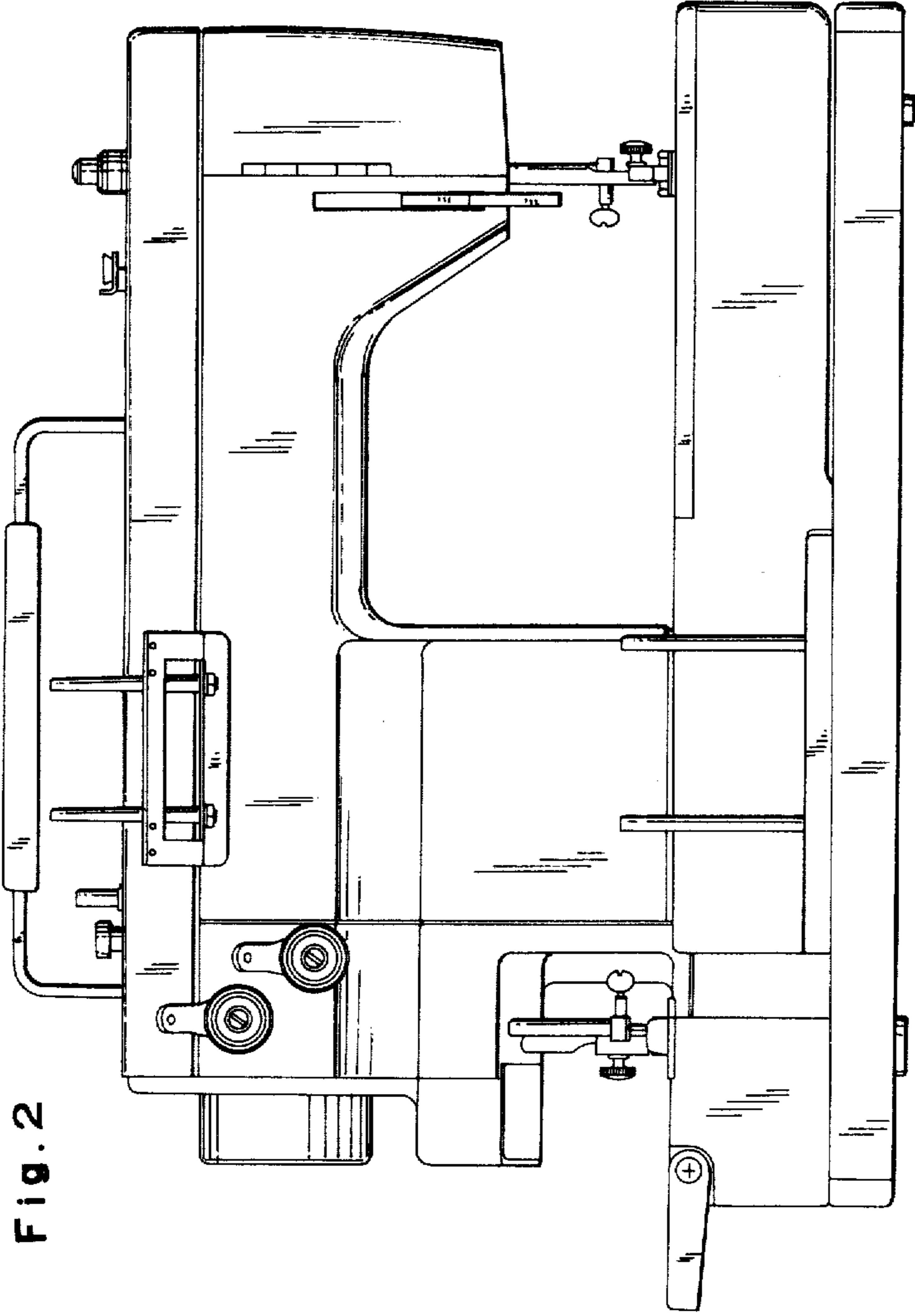


Fig. 2

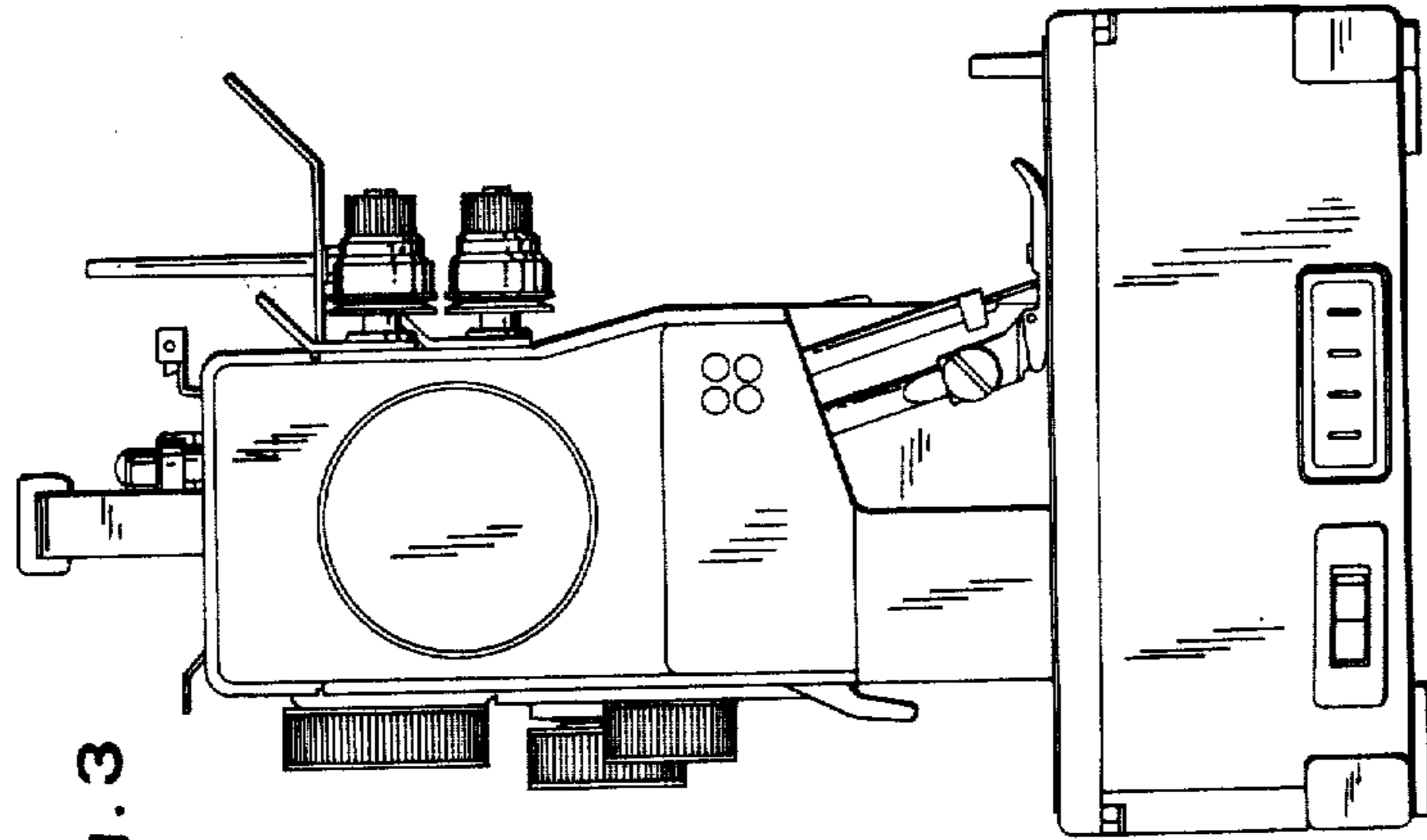


Fig. 3

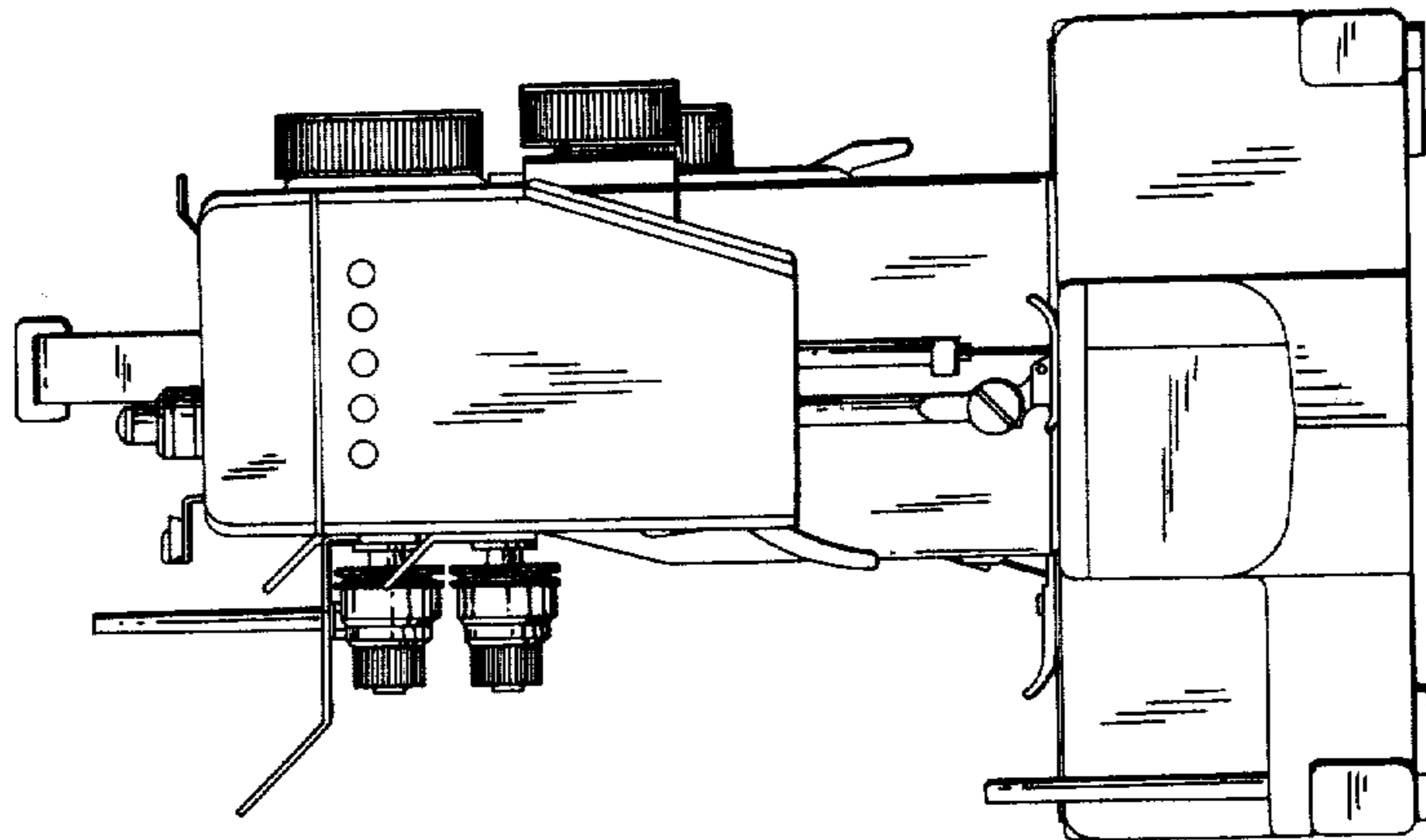


Fig. 4

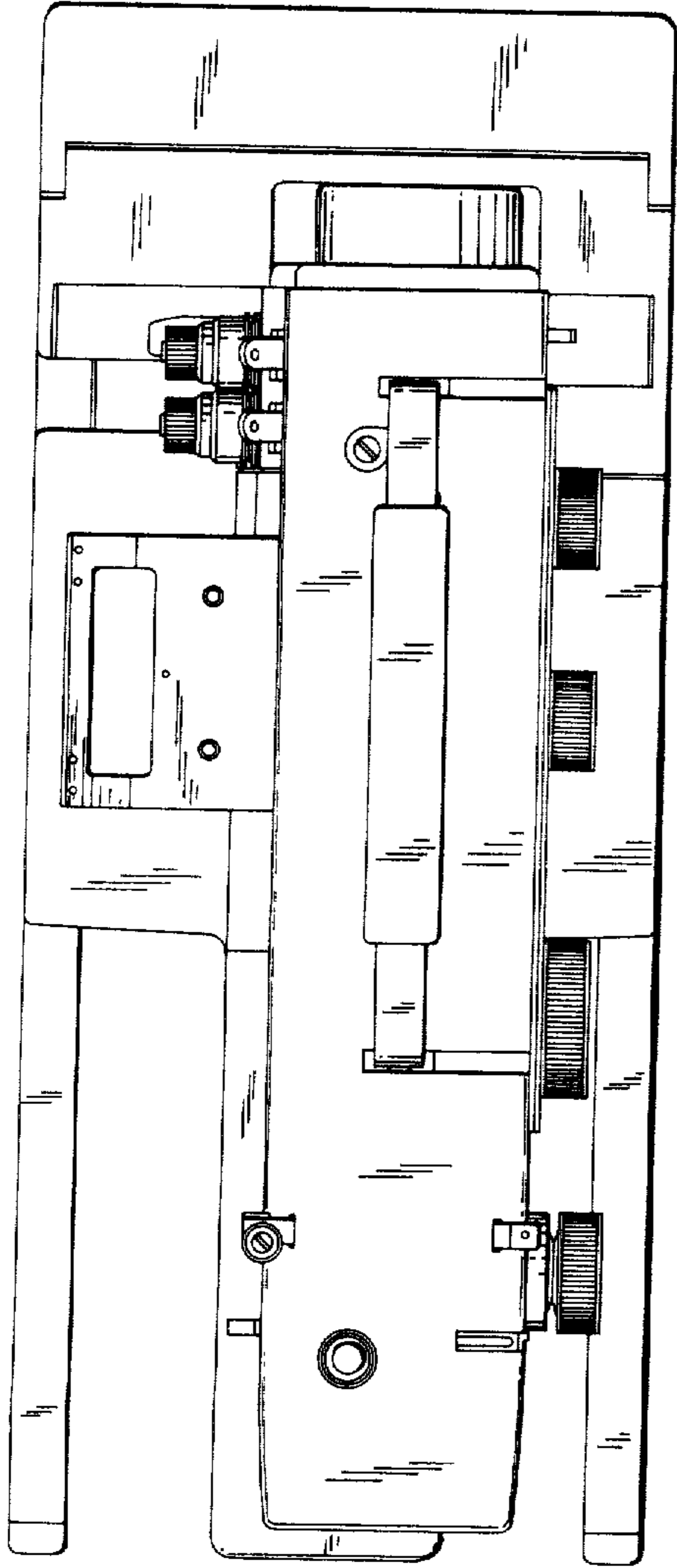


Fig. 5

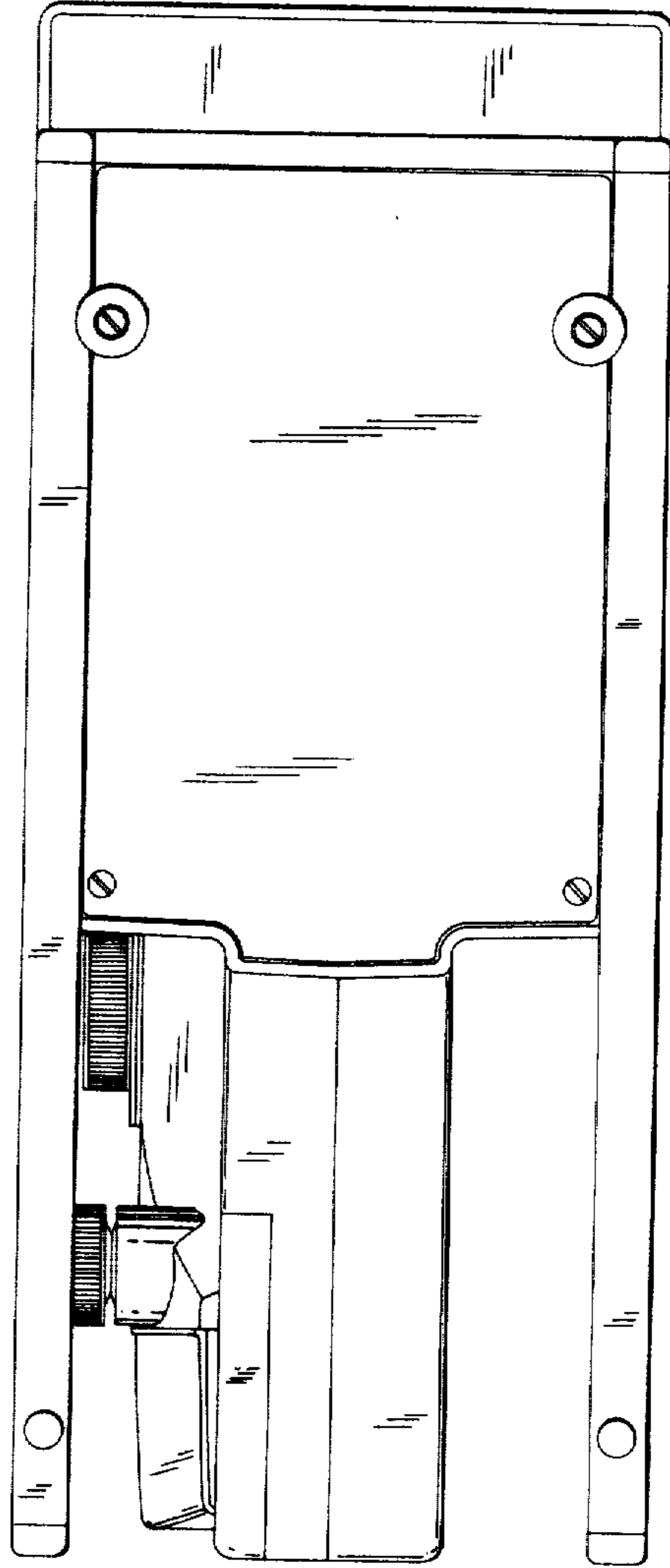


Fig. 6