

[54] RADIO RECEIVER

[75] Inventors: Masanori Hamada, Yao; Yoshiyuki Saigo, Hirakata, both of Japan

[73] Assignee: Matsushita Electric Industrial Co., Ltd., Osaka, Japan

[**] Term: 14 Years

[21] Appl. No.: 192,398

[22] Filed: Sep. 30, 1980

[30] Foreign Application Priority Data

Apr. 2, 1980 [JP] Japan 55-13172

[51] Int. Cl. D14-03

[52] U.S. Cl. D14/70; D14/6

[58] Field of Search D14/1, 5, 6, 68, 70-76, D14/79, 95, 96, 99

[56] References Cited

U.S. PATENT DOCUMENTS

- D. 247,780 4/1978 Kawano D14/70
- D. 252,992 9/1979 Hamada et al. D14/70

OTHER PUBLICATIONS

Heathkit Spring '76 Cat. 808, p. 71, item #HW-202.
Evans '79-'80 Cat., p. 245x, item #19, Magnavox Radio.
Best Products 1980 Buyer's Book, ©'79, p. 347, items "C" & F, respectively, Emerson & Panasonic Radios.

Primary Examiner—Jane E. Corrigan
Attorney, Agent, or Firm—Sughrue, Mion, Zinn, Macpeak & Seas

[57] CLAIM

The ornamental design for a radio receiver, as shown and described.

DESCRIPTION

FIG. 1 is a front, top and right side perspective view of a radio receiver showing our new design;
FIG. 2 is a rear, bottom and left side perspective view thereof;
FIG. 3 is a top plan view thereof; and
FIG. 4 is a right side elevational view thereof with the front two rows of rectangular buttons omitted for convenience of illustration.

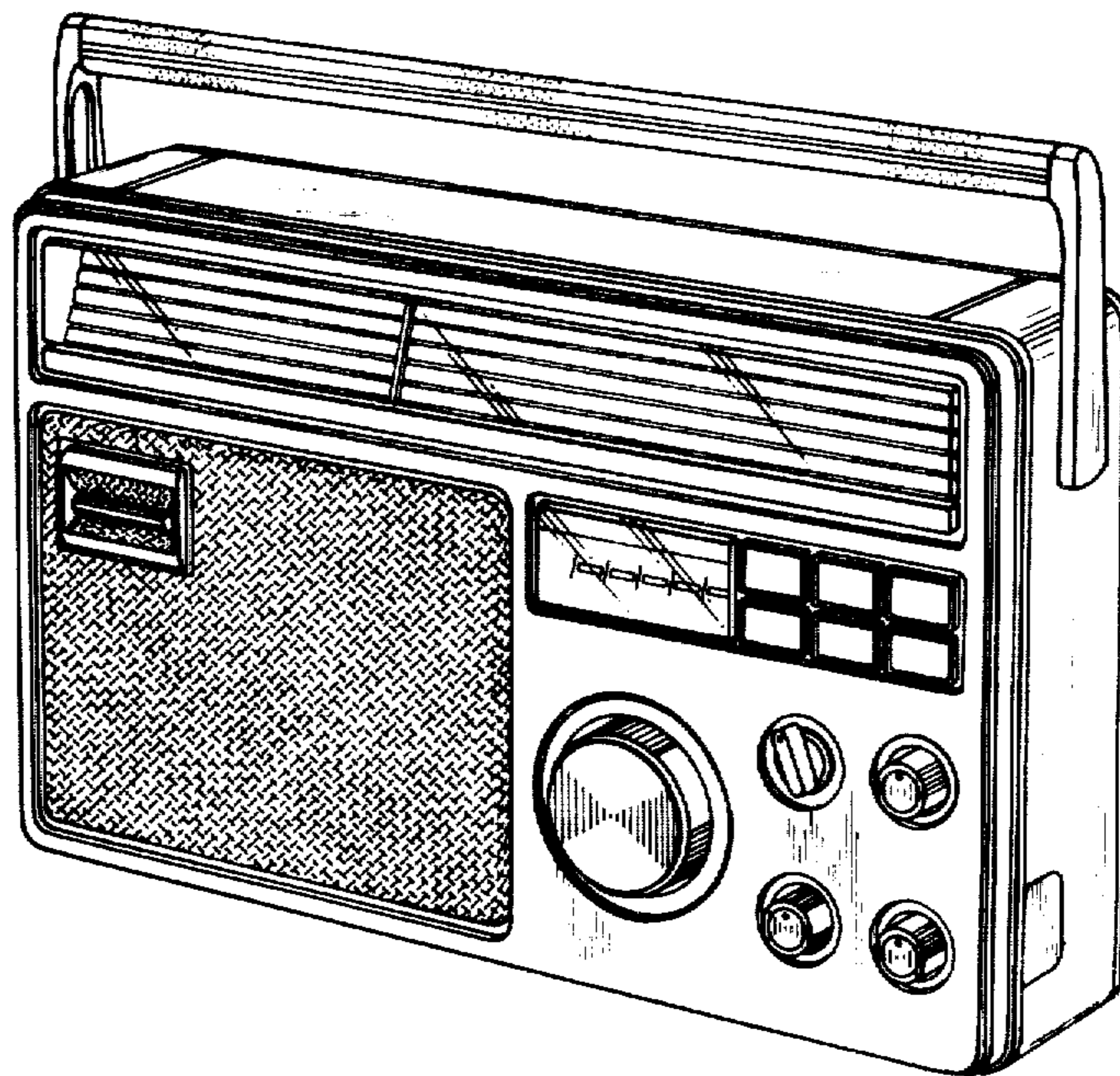


FIG. 1

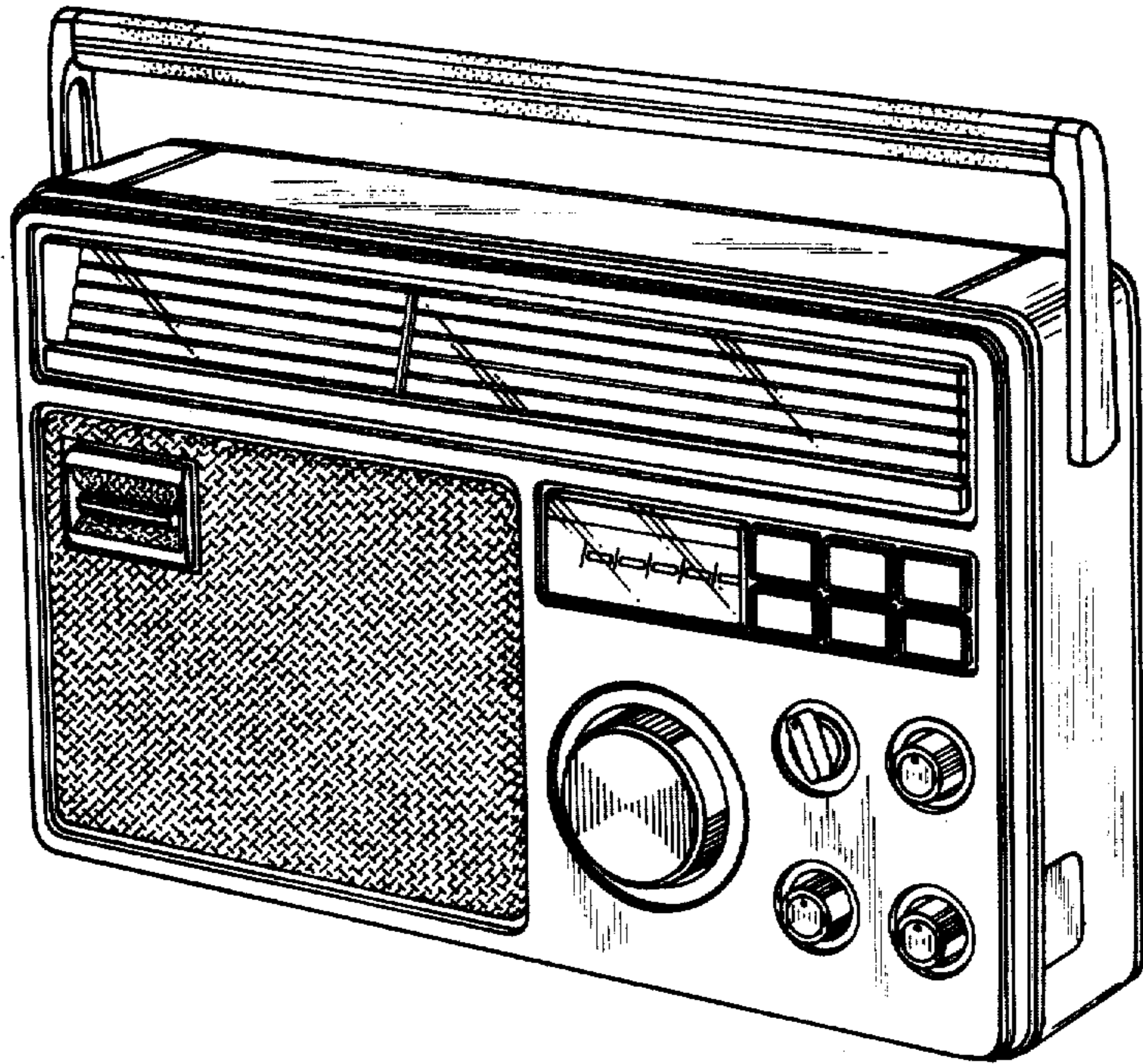


FIG. 2

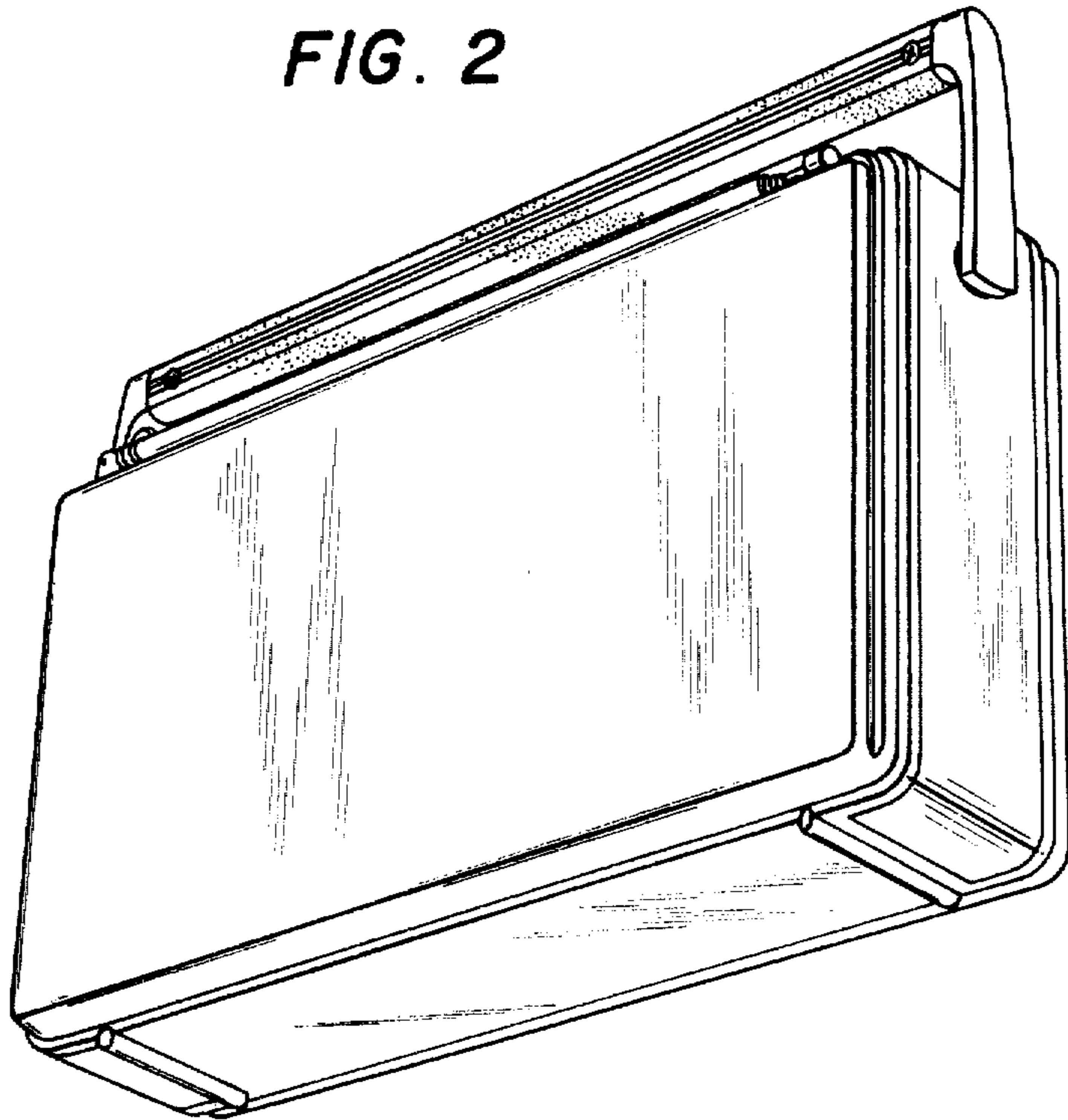


FIG. 3

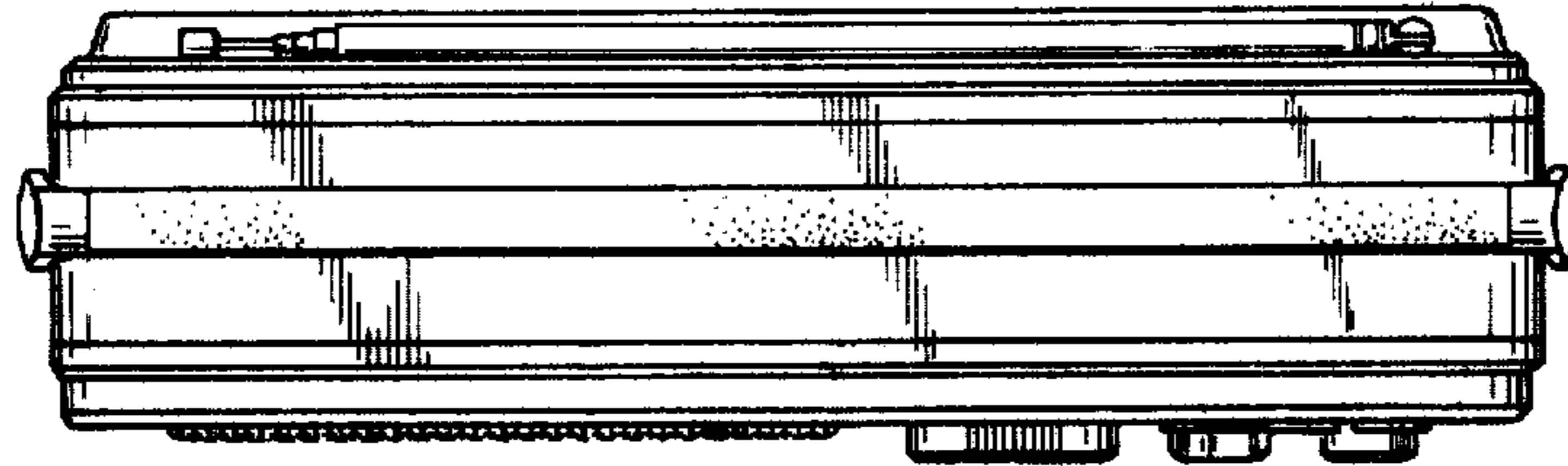


FIG. 4

