

[54] COMBINED BALL HITCH AND VEHICLE CARRIER FOR GOLF CLUB CARTS HAVING VERTICAL MOUNTING COUPLING

[76] Inventor: Auburn R. Hampton, 1307 Garth Ave., SW., Decatur, Ala. 35601

[\*\*] Term: 14 Years

[21] Appl. No.: 124,232

[22] Filed: Feb. 25, 1980

[51] Int. Cl. . . . . D12-16

[52] U.S. Cl. . . . . D12/157; D12/162

[58] Field of Search . . . . . D12/162, 157, 16, 169; 280/511, 504, DIG. 6; D34/15; 224/274, 42.03 R, 42.04; 293/117

[56] References Cited

U.S. PATENT DOCUMENTS

- D. 261,749 11/1981 Hampton . . . . . D34/15
- 1,410,343 3/1922 Nieschang . . . . . D12/169

OTHER PUBLICATIONS

Master Guard Catalog, © 11/29/77, rear cover, 70 Series Bumper, upper right side of page.

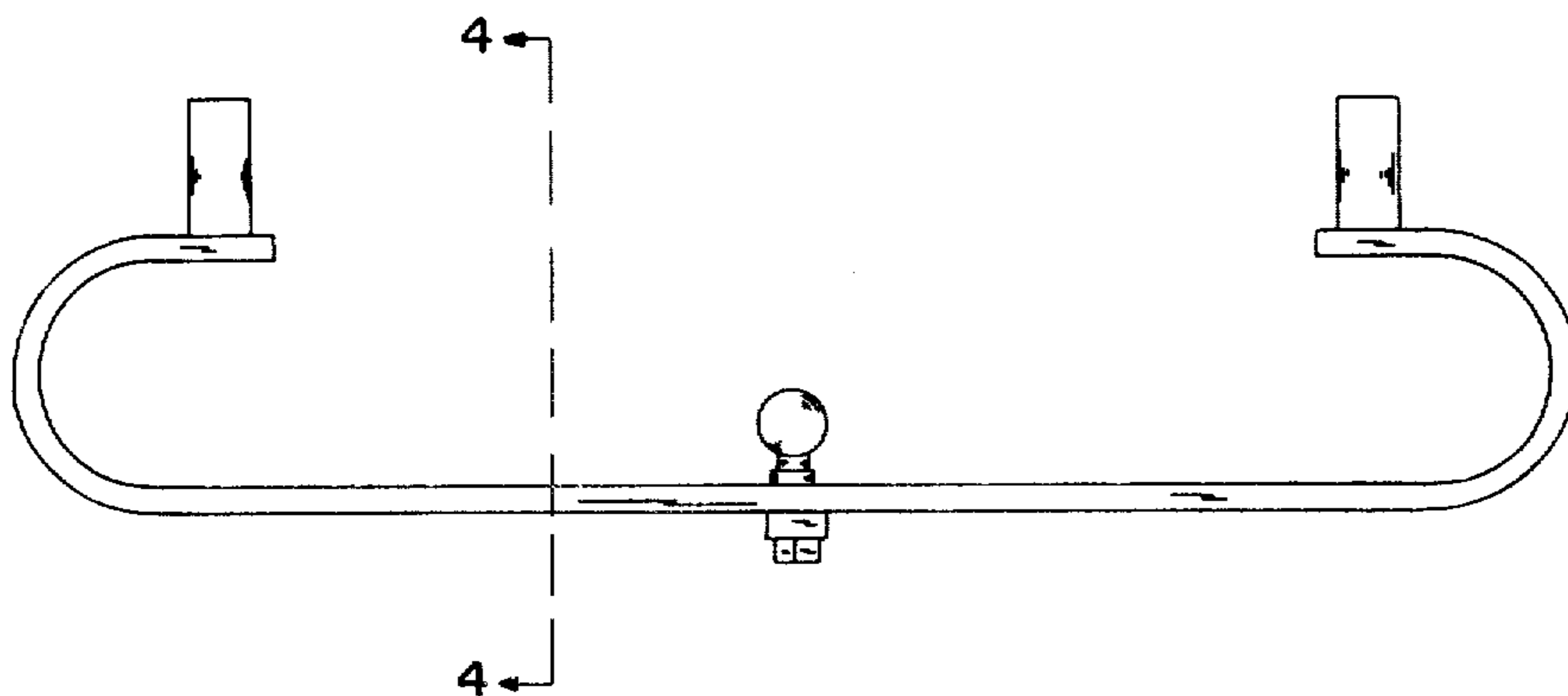
Primary Examiner—James M. Gandy  
Attorney, Agent, or Firm—C. A. Phillips

[57] CLAIM

The ornamental design for a combined ball hitch and vehicle carrier for golf club carts having vertical mounting coupling, substantially as shown and described.

DESCRIPTION

FIG. 1 is a top plan view of a combined ball hitch and vehicle carrier for golf club carts having vertical mounting coupling showing my new design; FIG. 2 is a rear elevational view thereof; FIG. 3 is a bottom plan view thereof; FIG. 4 is a sectional view thereof taken along line 4-4 in FIG. 2; and FIG. 5 is a side elevational view thereof.



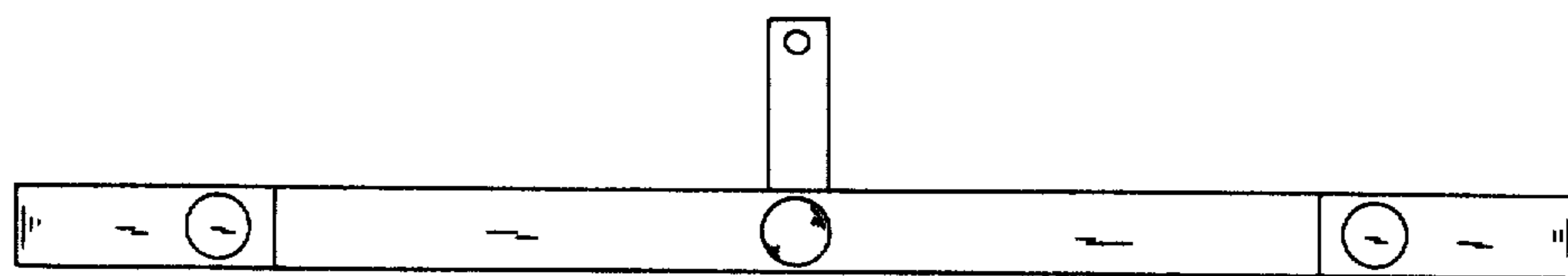


FIG. 1

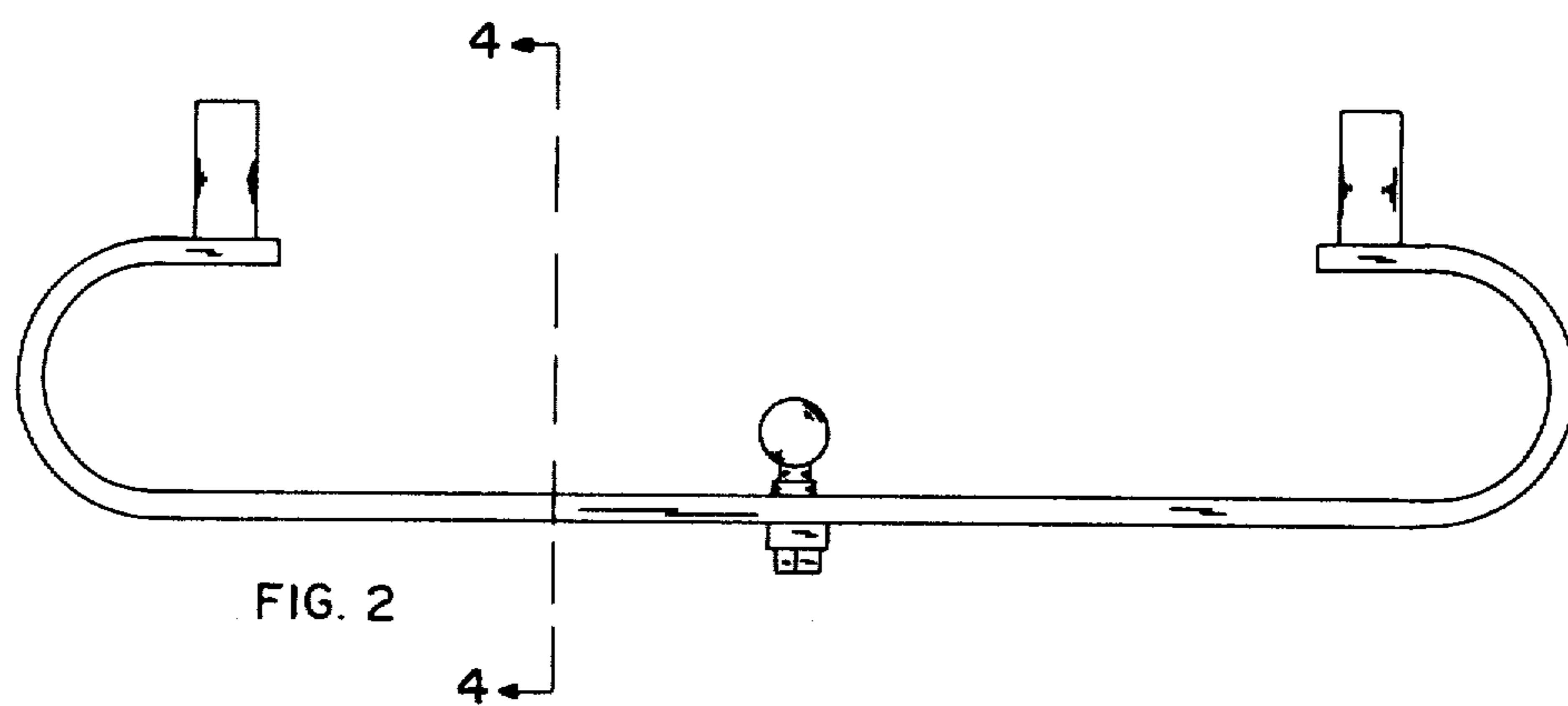


FIG. 2

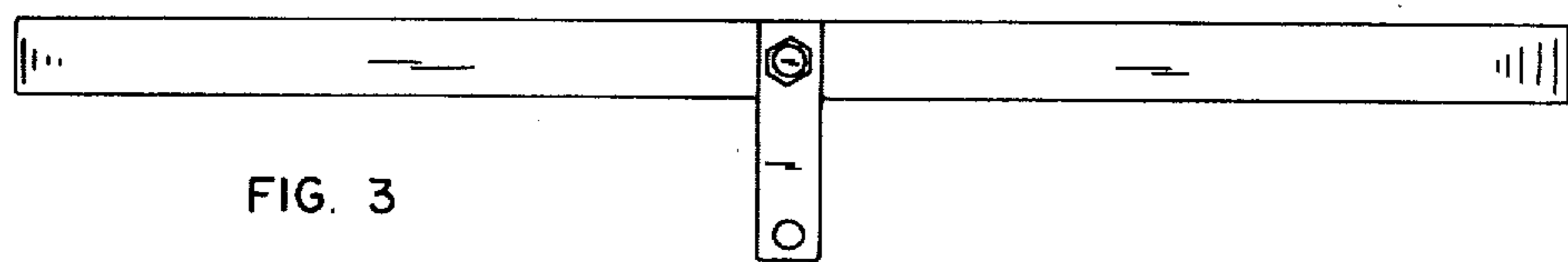


FIG. 3

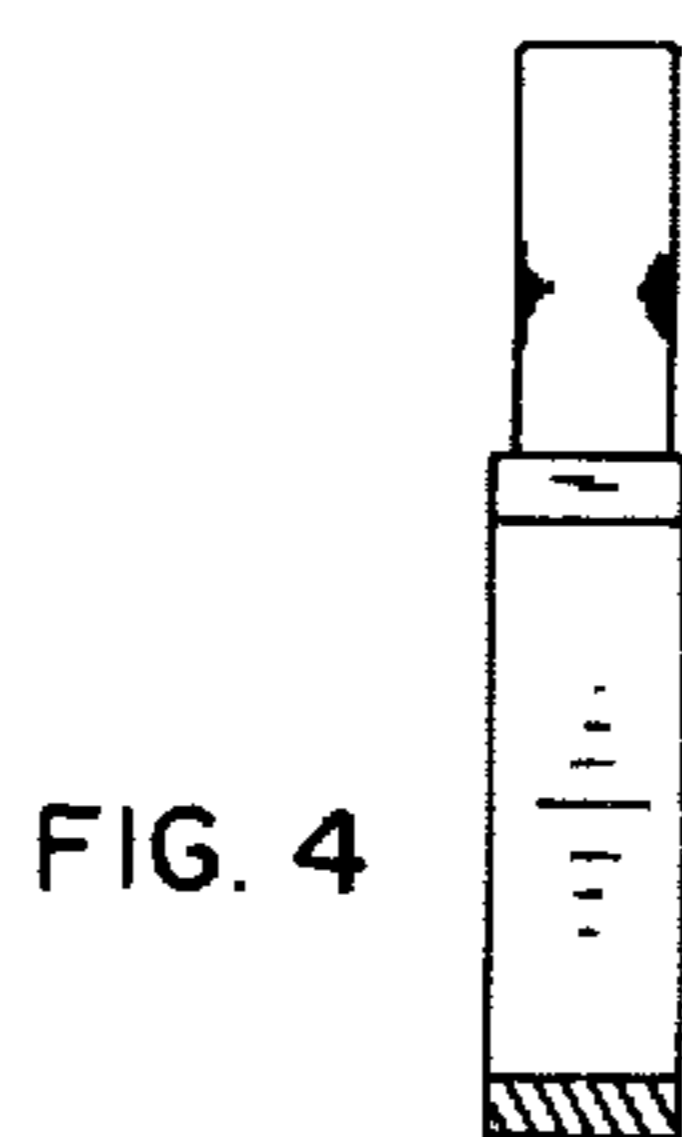


FIG. 4

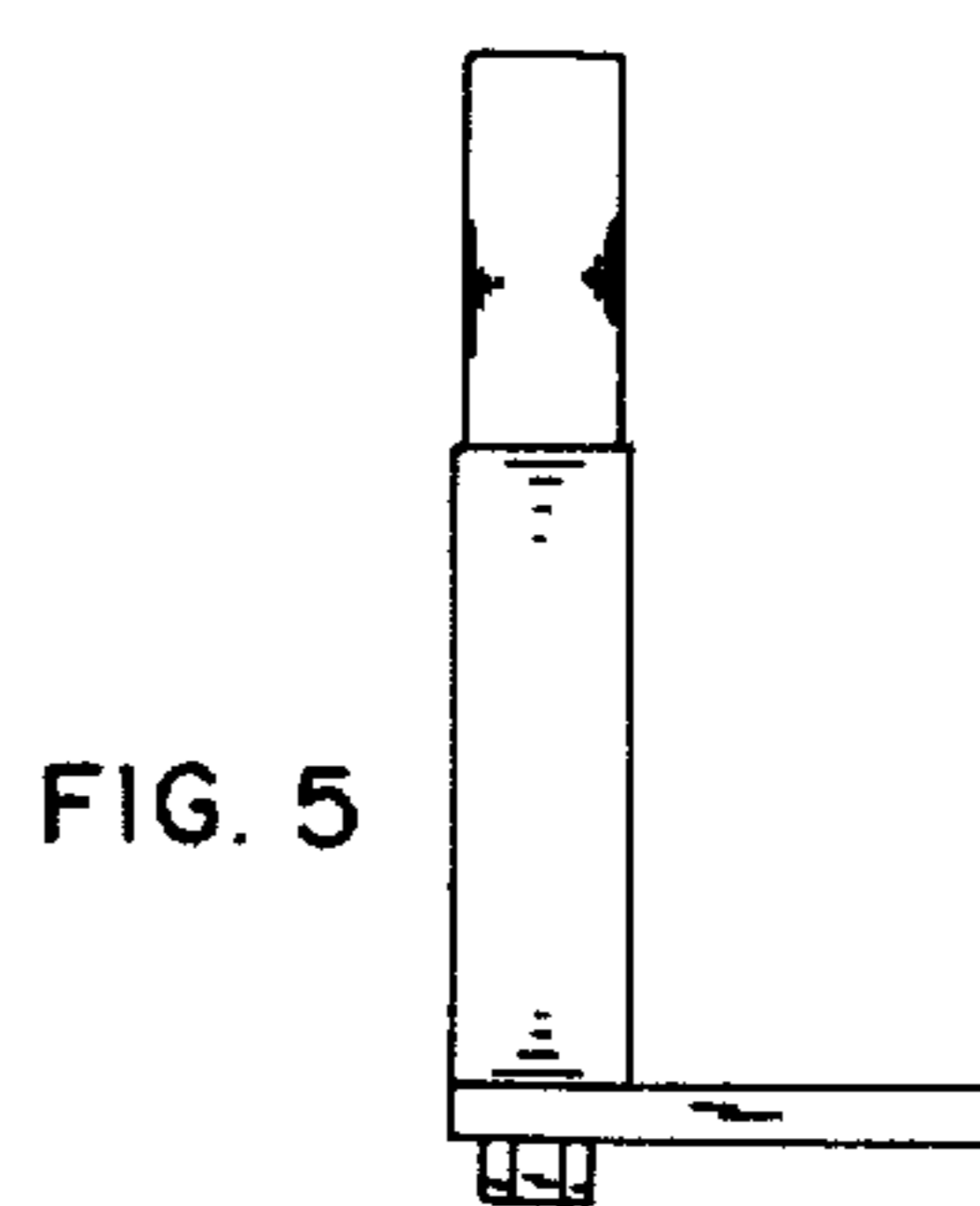


FIG. 5