

- [54] **VEHICLE VAN CORNER CAP MEMBER**
- [75] Inventor: **John R. Spence, La Habra, Calif.**
- [73] Assignee: **Pike Trailer Co., South Gate, Calif.**
- [**] Term: **14 Years**
- [21] Appl. No.: **141,875**
- [22] Filed: **Apr. 21, 1980**
- [51] Int. Cl. **12-16**
- [52] U.S. Cl. **D12/93; D12/97; D12/181**
- [58] Field of Search **D12/93, 97, 181; 296/1 S**

- 4,113,299 9/1978 Johnson et al. 296/1 S
- 4,113,302 9/1978 Bos 296/1 S

Primary Examiner—T. Tung
Attorney, Agent, or Firm—Whann & McManigal

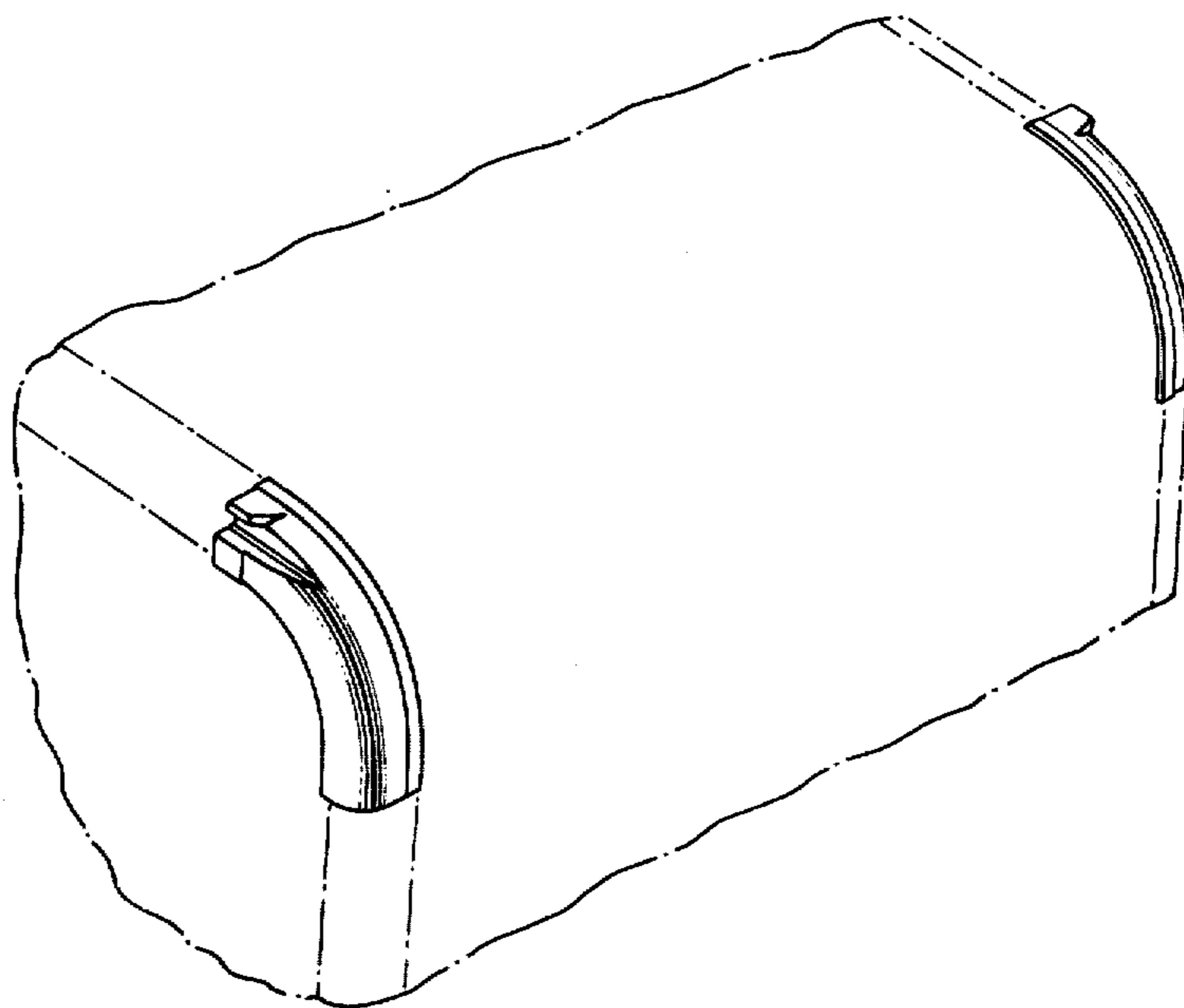
[57] **CLAIM**

The ornamental design for a vehicle van corner cap member, as shown and described.

DESCRIPTION

FIG. 1 is a perspective view of a vehicle van corner cap member showing my new design, with right and left hand embodiments illustrated in their positions of use, the portions shown in phantom lines being for illustrative purposes and forming no part of the claimed design; FIG. 2 is an enlarged front elevational view of the left hand embodiment illustrated in FIG. 1; FIG. 3 is an enlarged front elevational view of the right hand embodiment illustrated in FIG. 1; FIG. 4 is a side elevational view as seen from the left, in FIG. 2; FIG. 5 is a side elevational view as seen from the right in FIG. 2; FIG. 6 is a top plan view of FIG. 4; FIG. 7 is a bottom plan view of FIG. 6; and FIG. 8 is a rear elevational view of FIG. 2.

- [56] **References Cited**
- U.S. PATENT DOCUMENTS**
- D. 134,525 12/1942 Black D12/97
- D. 179,559 1/1957 Chisholm D12/97
- D. 243,450 2/1977 MacCready et al. D12/181
- 2,570,744 10/1951 Anderson D12/181
- 3,072,431 1/1963 Shumaker 296/1 S
- 3,729,223 4/1973 Leissa 296/1 S
- 3,785,699 1/1974 Molaskey et al. D12/181
- 3,999,797 12/1976 Kirsch et al. 296/1 S



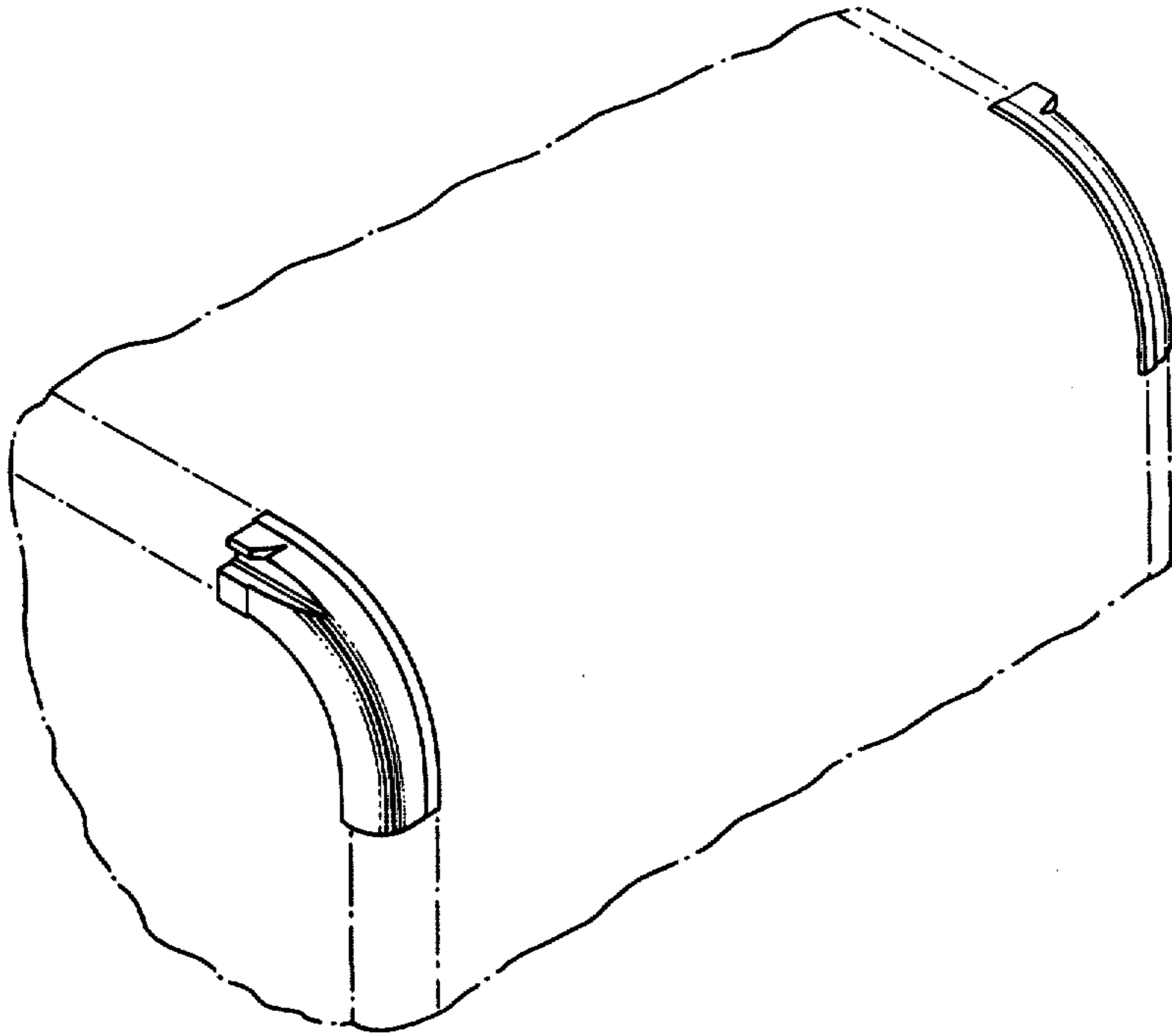


FIG. 1.

FIG. 3.

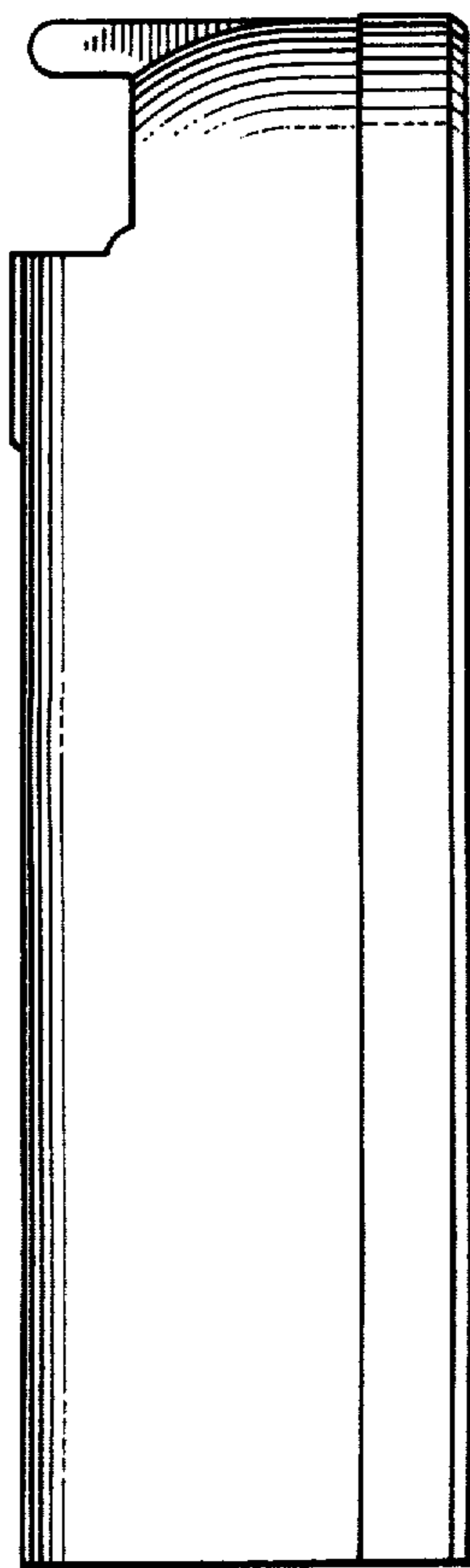
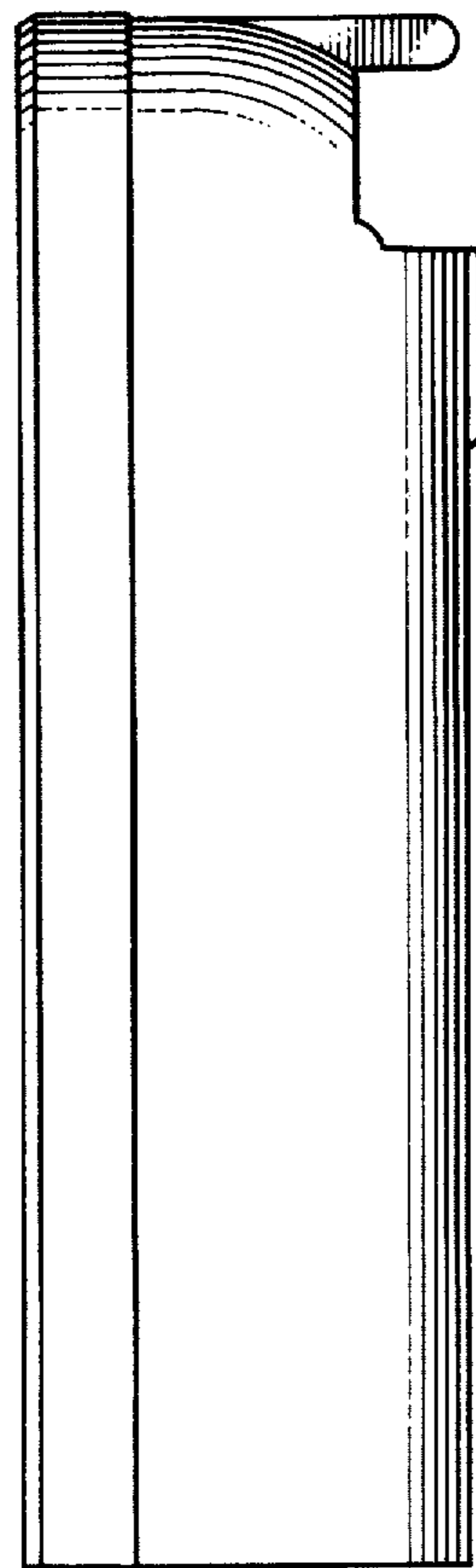


FIG. 2.



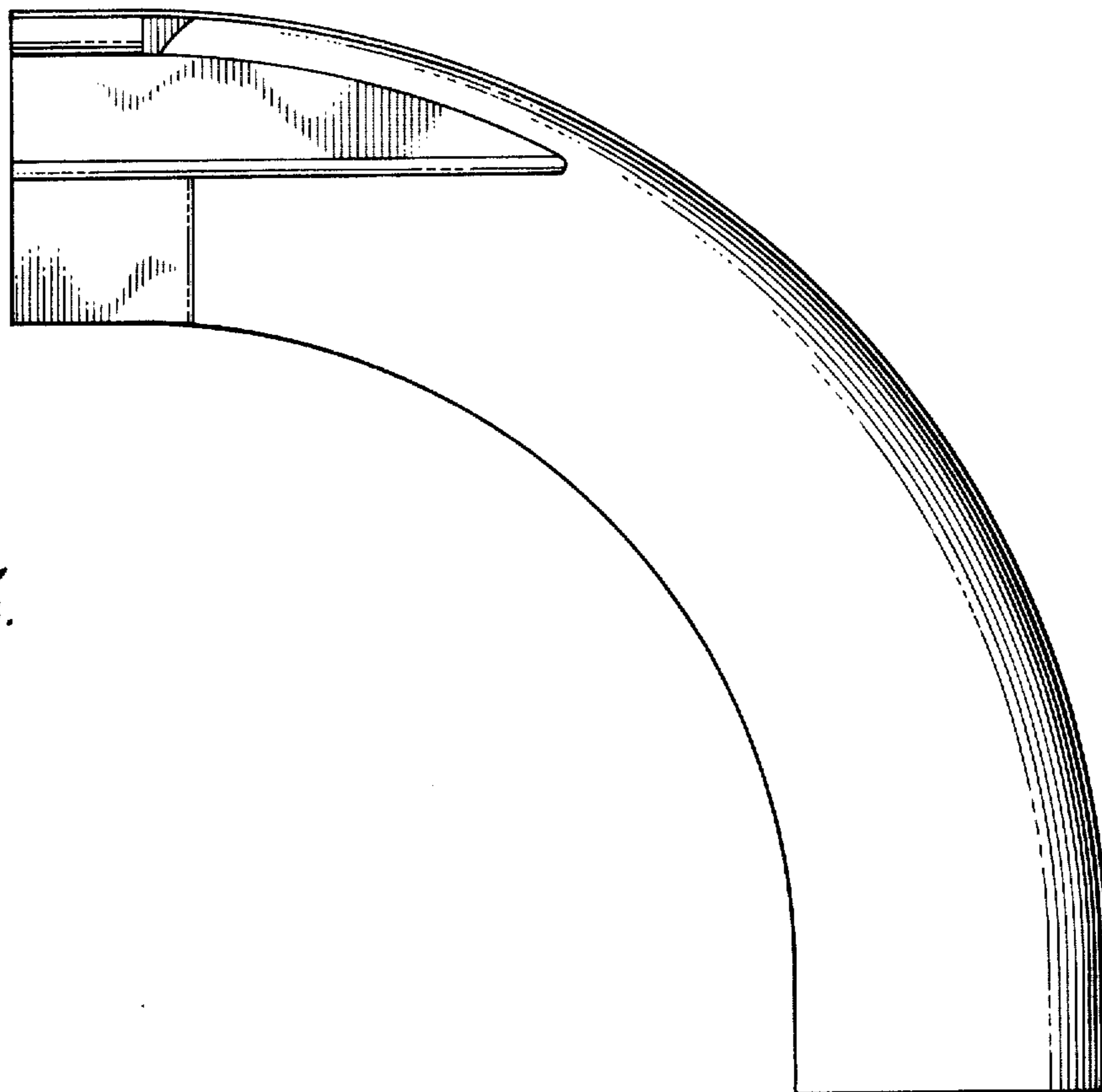


FIG. 4.

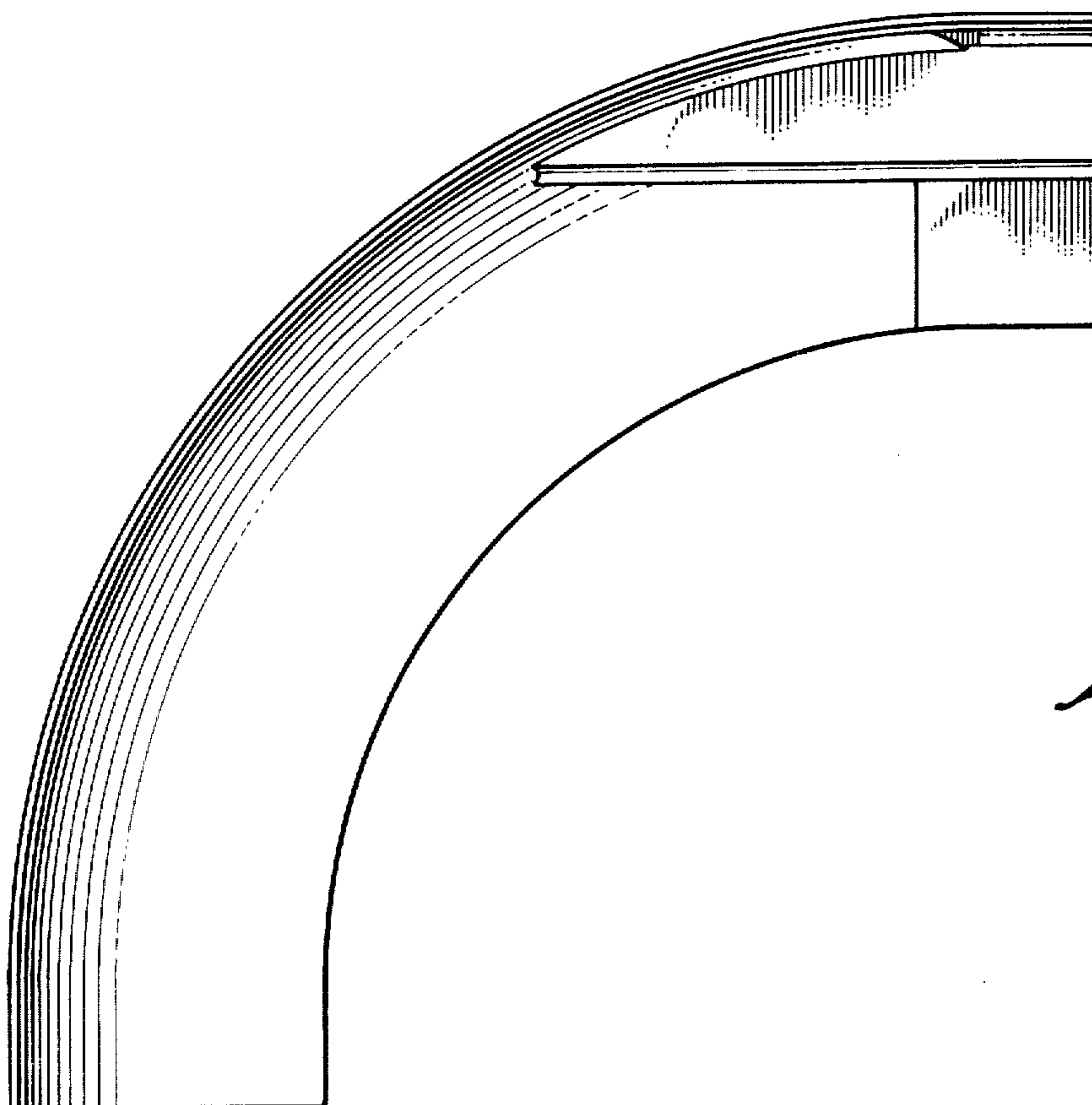


FIG. 5.

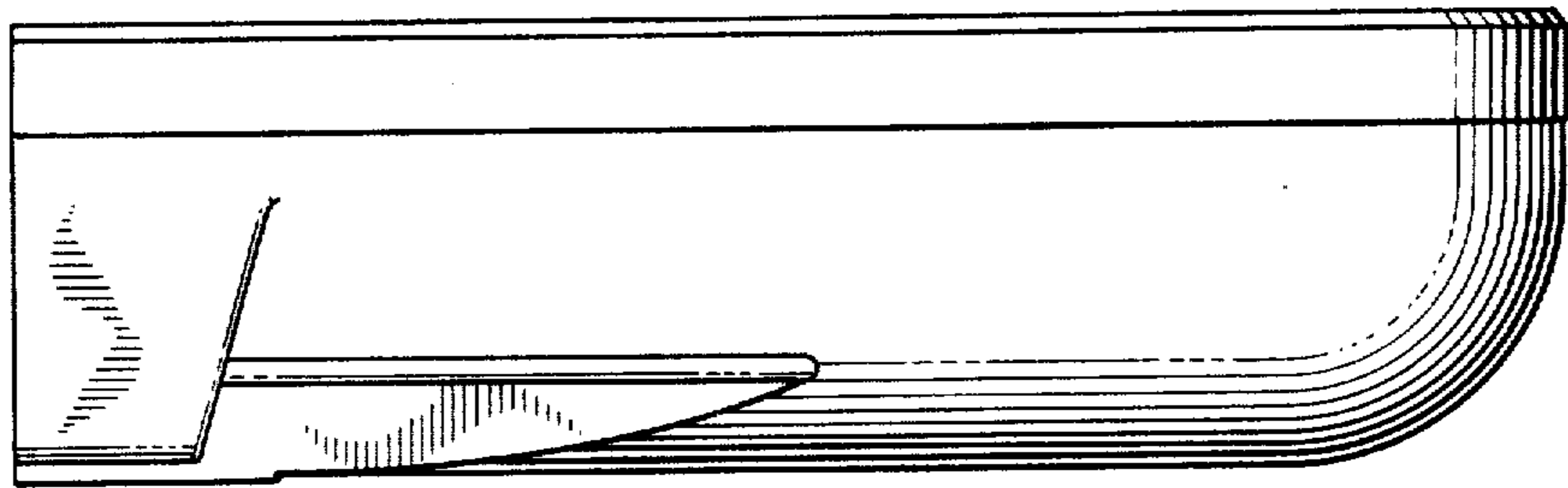


FIG. 6.

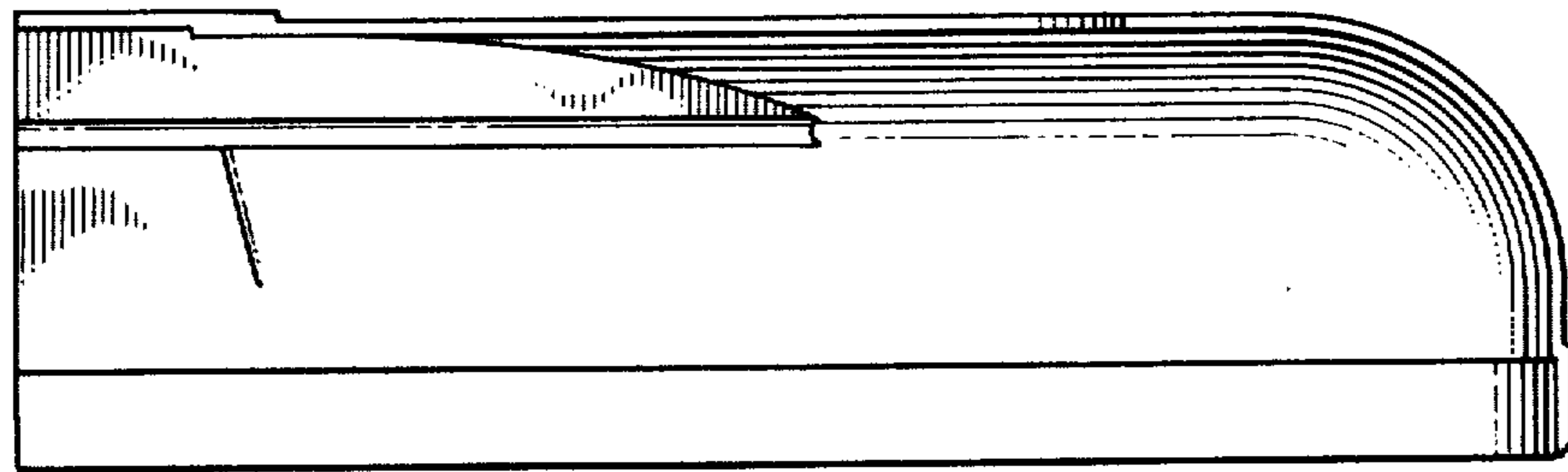


FIG. 7.

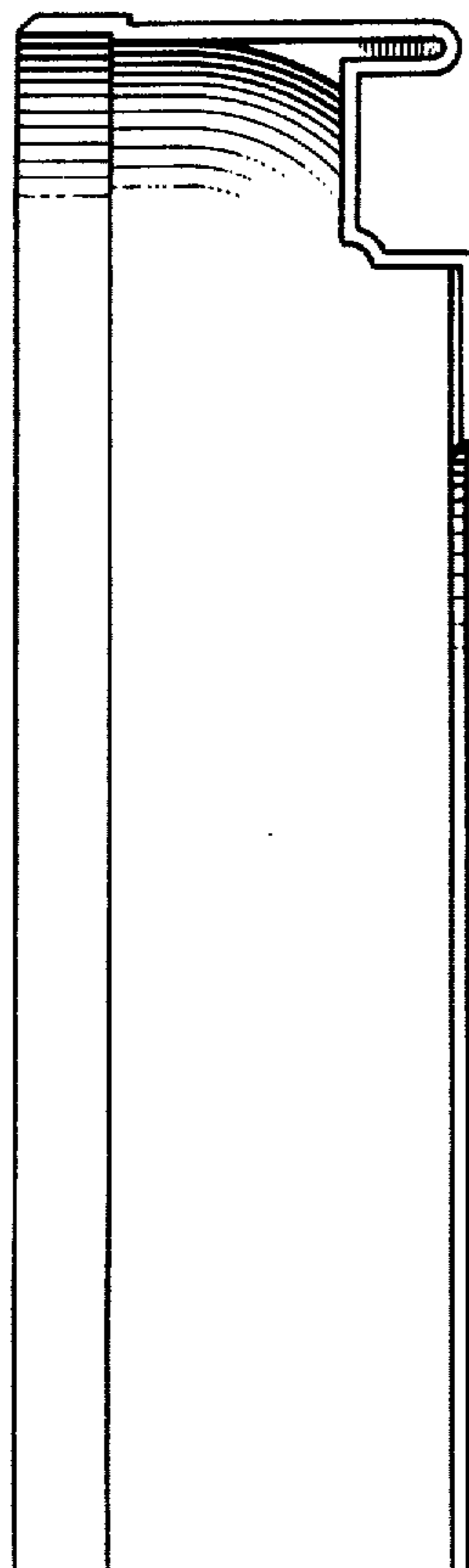


FIG. 8.