

[54] CLOCK

[76] Inventor: Billy R. Newton, 3604 Belmont Dr., Hood River, Oreg. 97031

[\*\*] Term: 14 Years

[21] Appl. No.: 175,248

[22] Filed: Aug. 4, 1980

[51] Int. Cl. .... D10-01

[52] U.S. Cl. .... D10/6

[58] Field of Search ..... D10/1, 2, 6, 7, 8, 12, D10/21; 368/276, 272, 280, 285

[56] References Cited

U.S. PATENT DOCUMENTS

D. 197,662 3/1964 Levy ..... D10/22 X

D. 257,232 10/1980 Hoke ..... D10/6  
3,062,491 11/1962 Green ..... 368/285 X

Primary Examiner—Nelson C. Holtje  
Attorney, Agent, or Firm—Lee R. Schermerhorn

[57] CLAIM

The ornamental design for a clock, substantially as shown and described.

DESCRIPTION

FIG. 1 is a front elevational view of a clock showing my new design;

FIG. 2 is a top plan view thereof;

FIG. 3 is a right side elevational view thereof, the left side being a mirror image thereto;

FIG. 4 is a rear elevational view thereof;

FIG. 5 is a bottom plan view thereof.

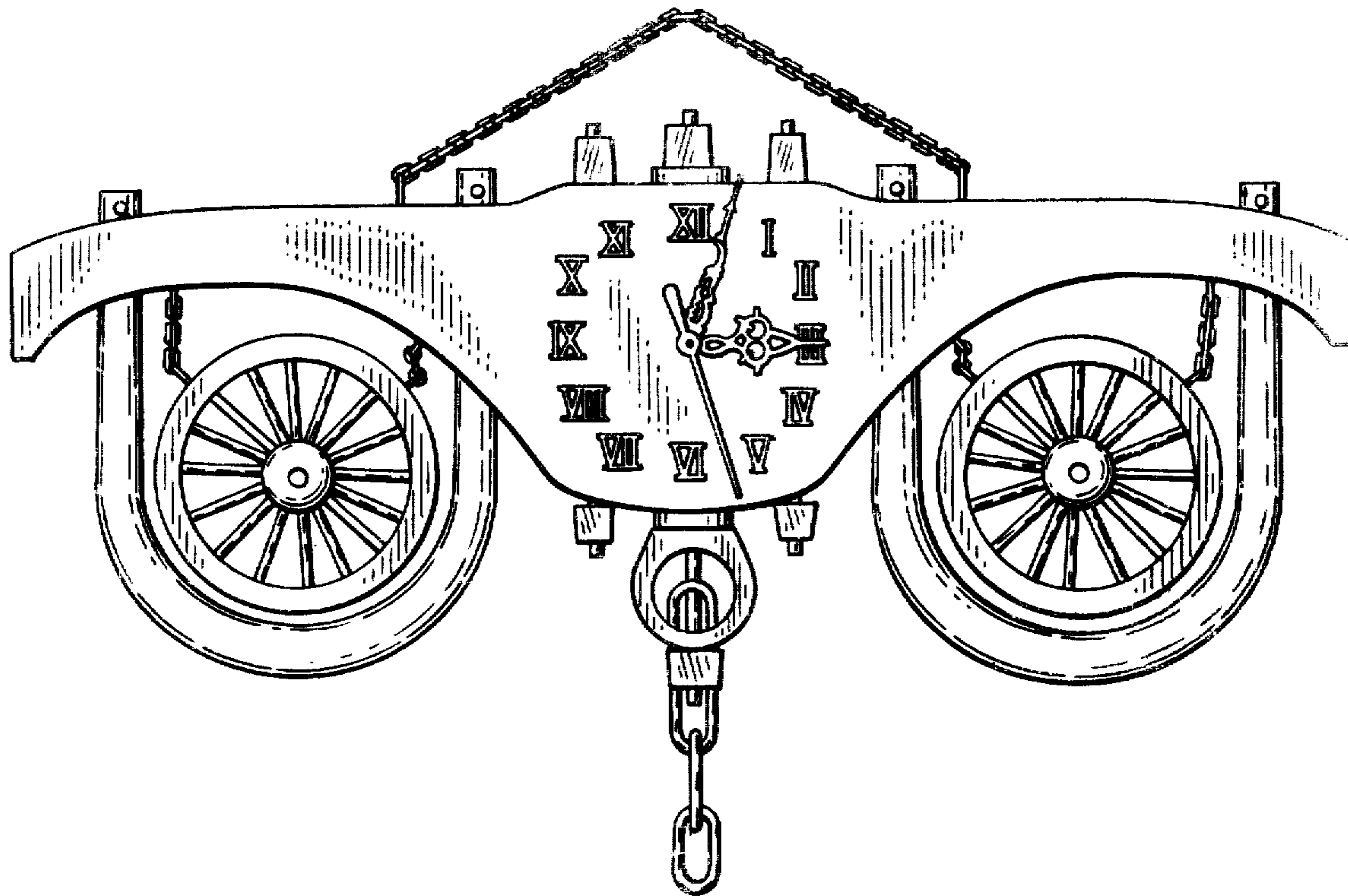


FIG. 2

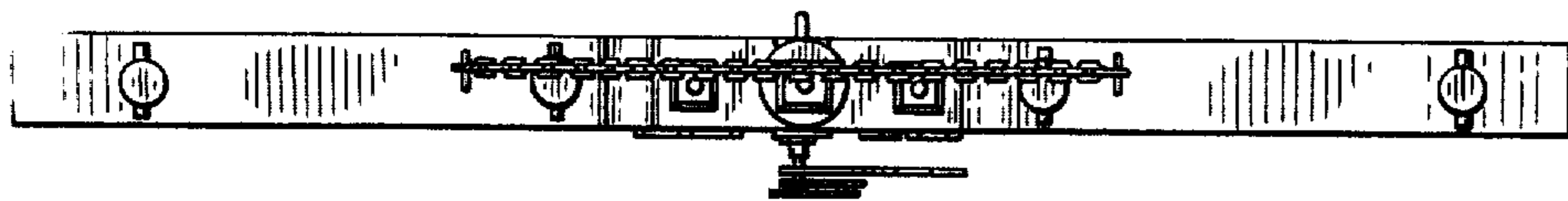


FIG. 3

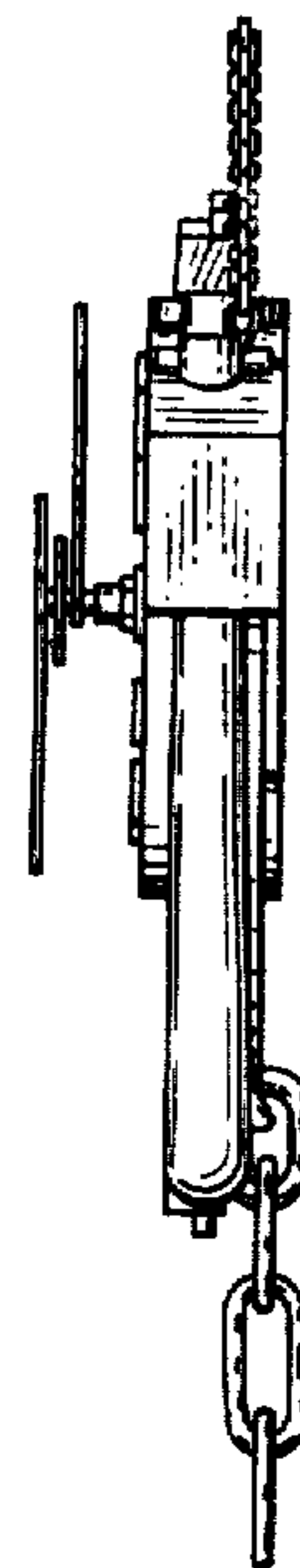


FIG. 1

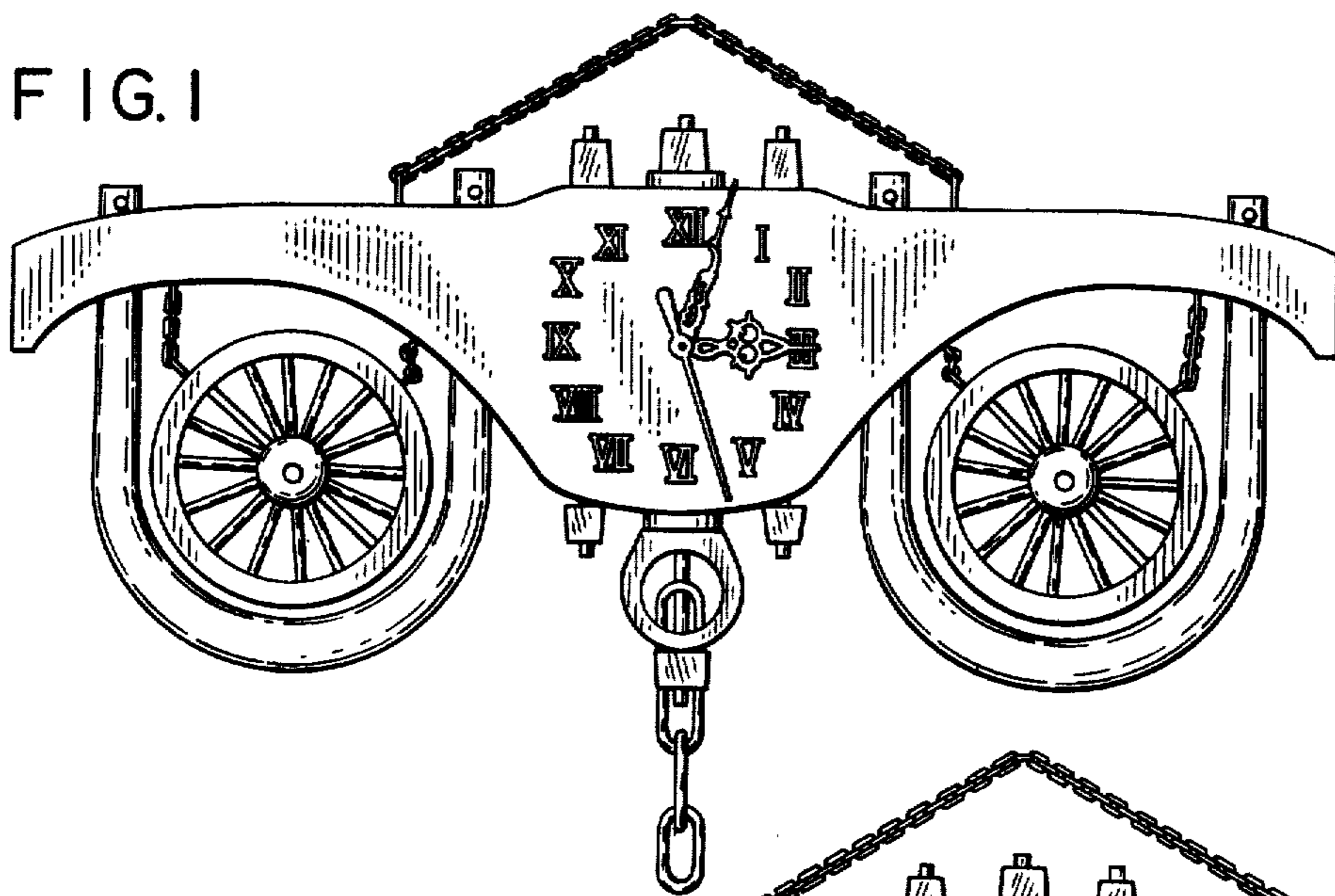


FIG. 4

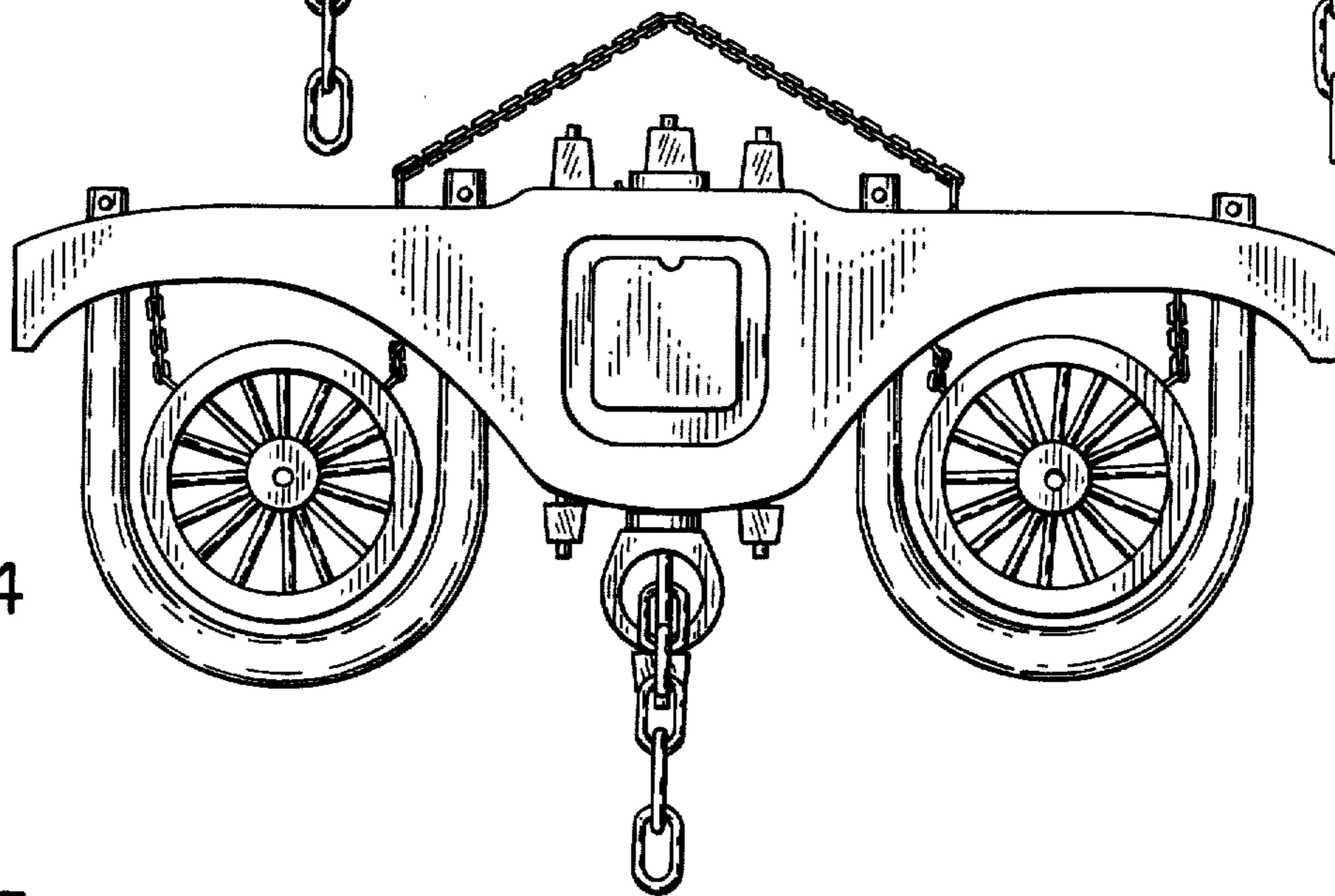


FIG. 5

