

[54] CARDBOARD BOX FOR PACKING AND DISPLAY

[76] Inventors: Birgitta Wahlberg; Lars Wahlberg, both of Mora Tuna, S-755 90 Uppsala, Sweden

[**] Term: 14 Years

[21] Appl. No.: 171,036

[22] Filed: Jul. 22, 1980

[30] Foreign Application Priority Data

Feb. 1, 1980 [SE] Sweden 80-0221

[51] Int. Cl. D9-03

[52] U.S. Cl. D9/456; D9/432

[58] Field of Search 206/45.14, 44 R; 229/52 BC, 27, 28 R, 30; D9/432, 337, 433, 418, 455, 456; D34/40

[56] References Cited

U.S. PATENT DOCUMENTS

D. 259,335	5/1981	Gillespie	D9/337
2,998,909	9/1961	Anderson, Jr. et al.	229/27 X
3,434,649	3/1969	Goings	229/28 R
3,499,597	3/1970	Katzman	206/45.31 X
3,812,957	5/1974	Forbes, Jr.	206/45.14
4,146,127	3/1979	Bayer	206/45.14

Primary Examiner—Robert C. Spangler
Attorney, Agent, or Firm—Witherspoon & Hargest

[57] CLAIM

The ornamental design for a cardboard box for packing and display, as shown and described.

DESCRIPTION

FIG. 1 is a top perspective view of a cardboard box for packing and display embodying our new design; FIG. 2 is another perspective view showing the same side but opposite end to that seen in FIG. 1; FIG. 3 is a bottom perspective view; and FIG. 4 is a plan view of the cardboard box in a completely unfolded condition.

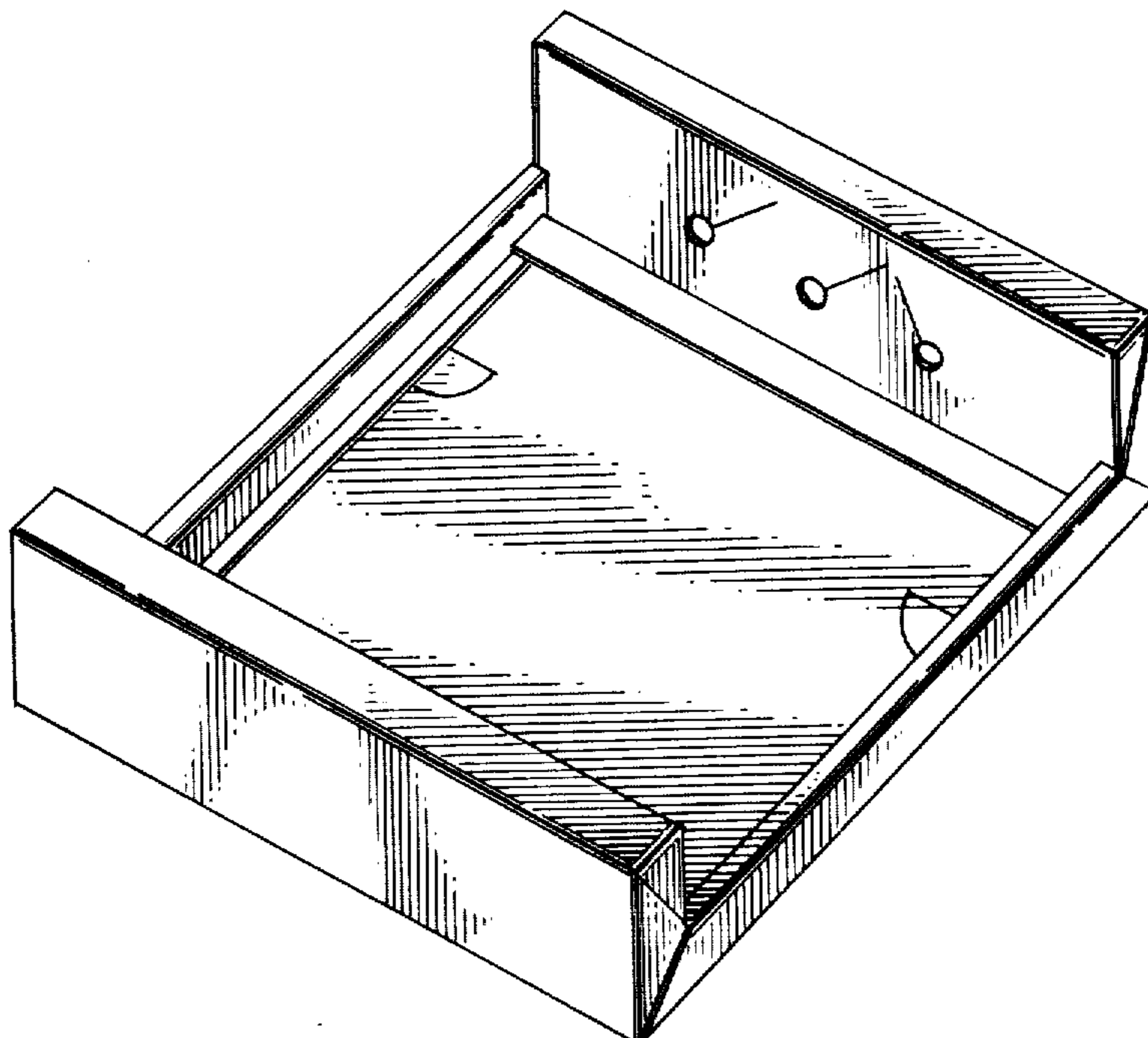


FIG. 1.

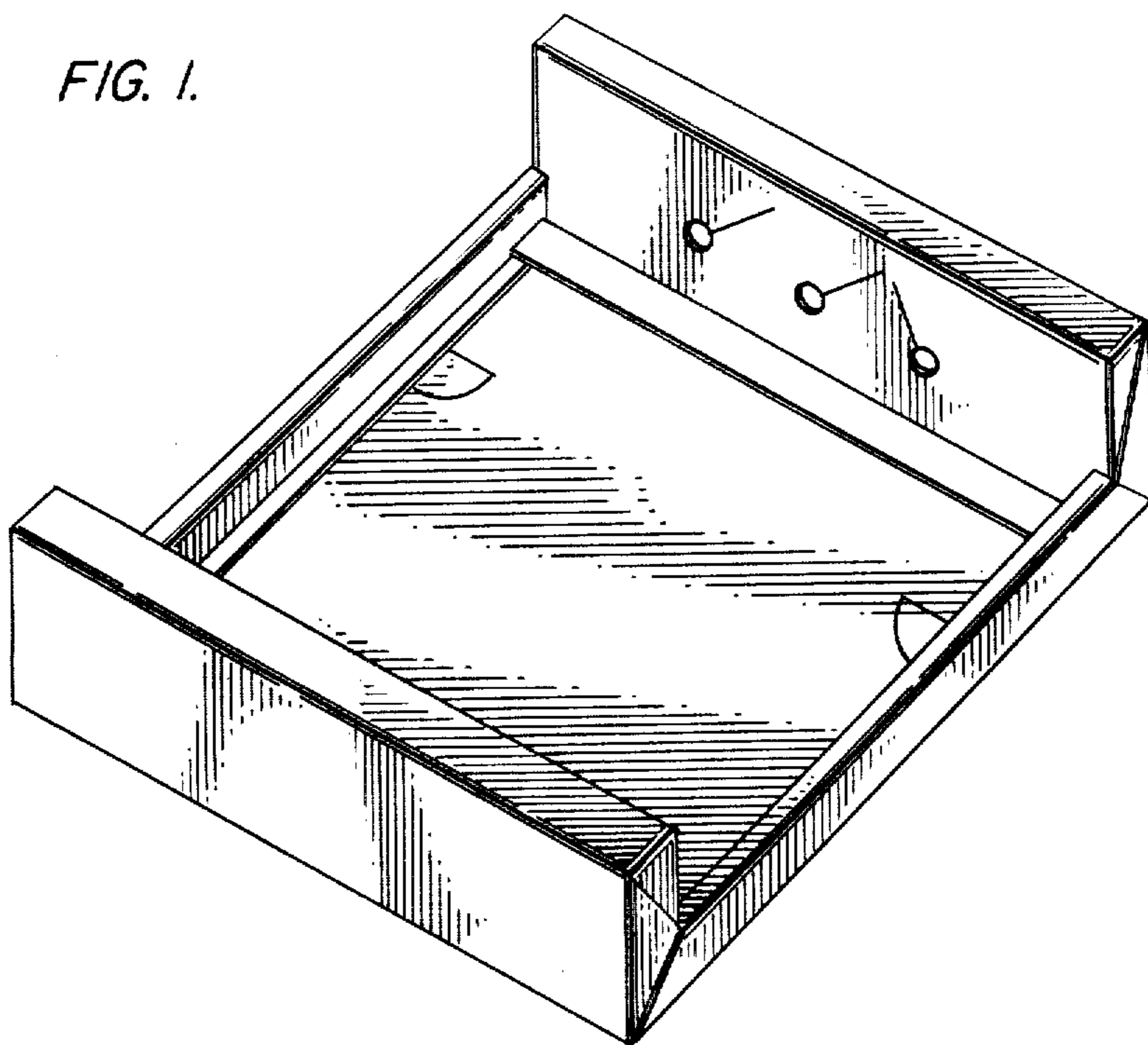


FIG. 2.

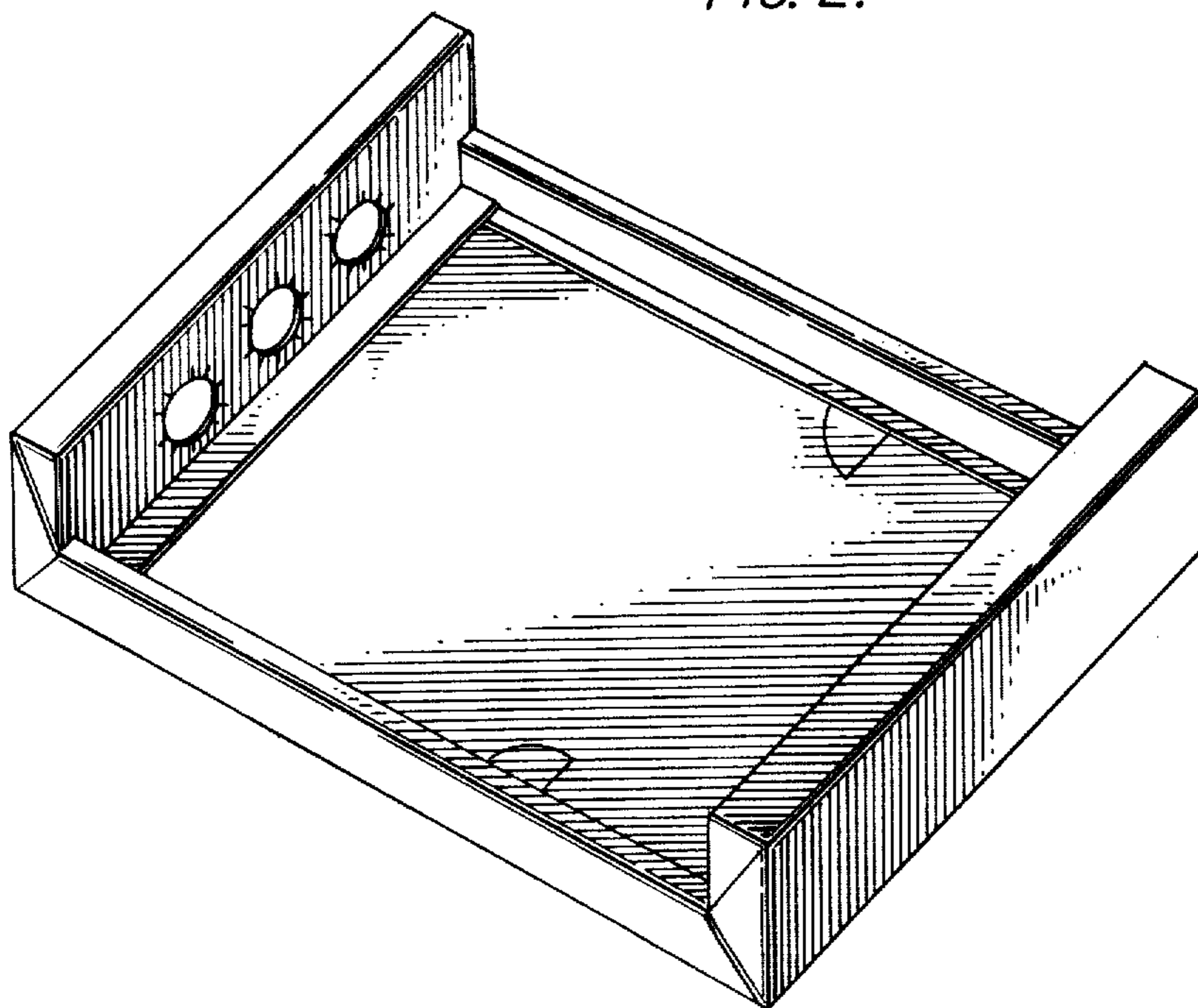


FIG. 3.

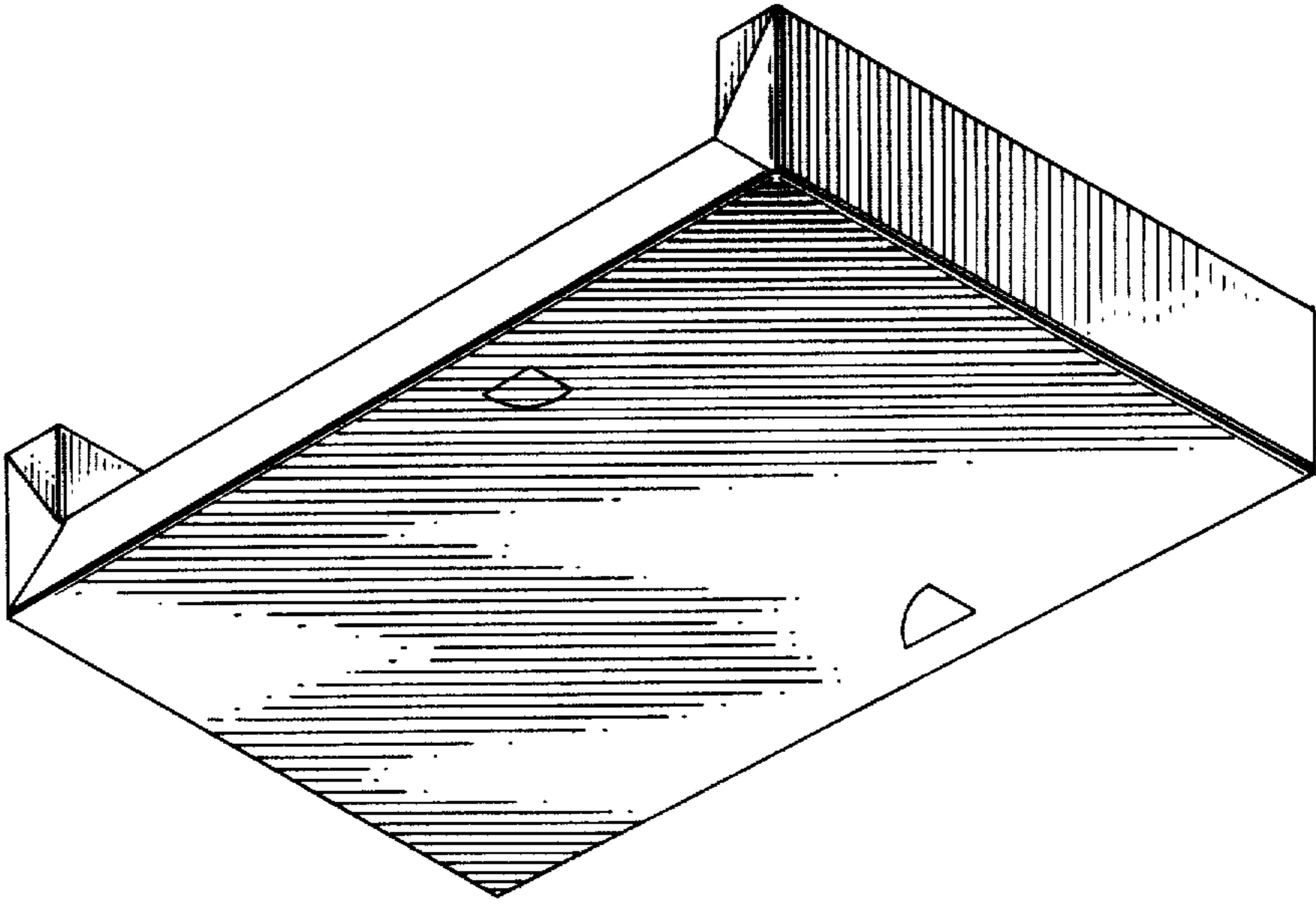


FIG. 4.

