

[54] TRAY FOR HOLDING TYPEWRITER FILM RIBBON CASSETTE

[75] Inventor: Darrell D. Fish, Timonium, Md.

[73] Assignee: T.H.E.M., Inc., Pennsauken, N.J.

[\*\*] Term: 14 Years

[21] Appl. No.: 157,269

[22] Filed: Jun. 9, 1980

[51] Int. Cl. D9-03

[52] U.S. Cl. D9/425; D3/35

[58] Field of Search D3/35; D18/12, 22; D9/345, 424, 425; 206/387, 482, 563-565; 400/144.1, 144.2

[56]

References Cited

U.S. PATENT DOCUMENTS

D. 259,884 7/1981 Harvey et al. D18/12  
4,132,311 1/1979 Glinery D3/35

Primary Examiner—George P. Word  
Attorney, Agent, or Firm—Duffield & Lehrer

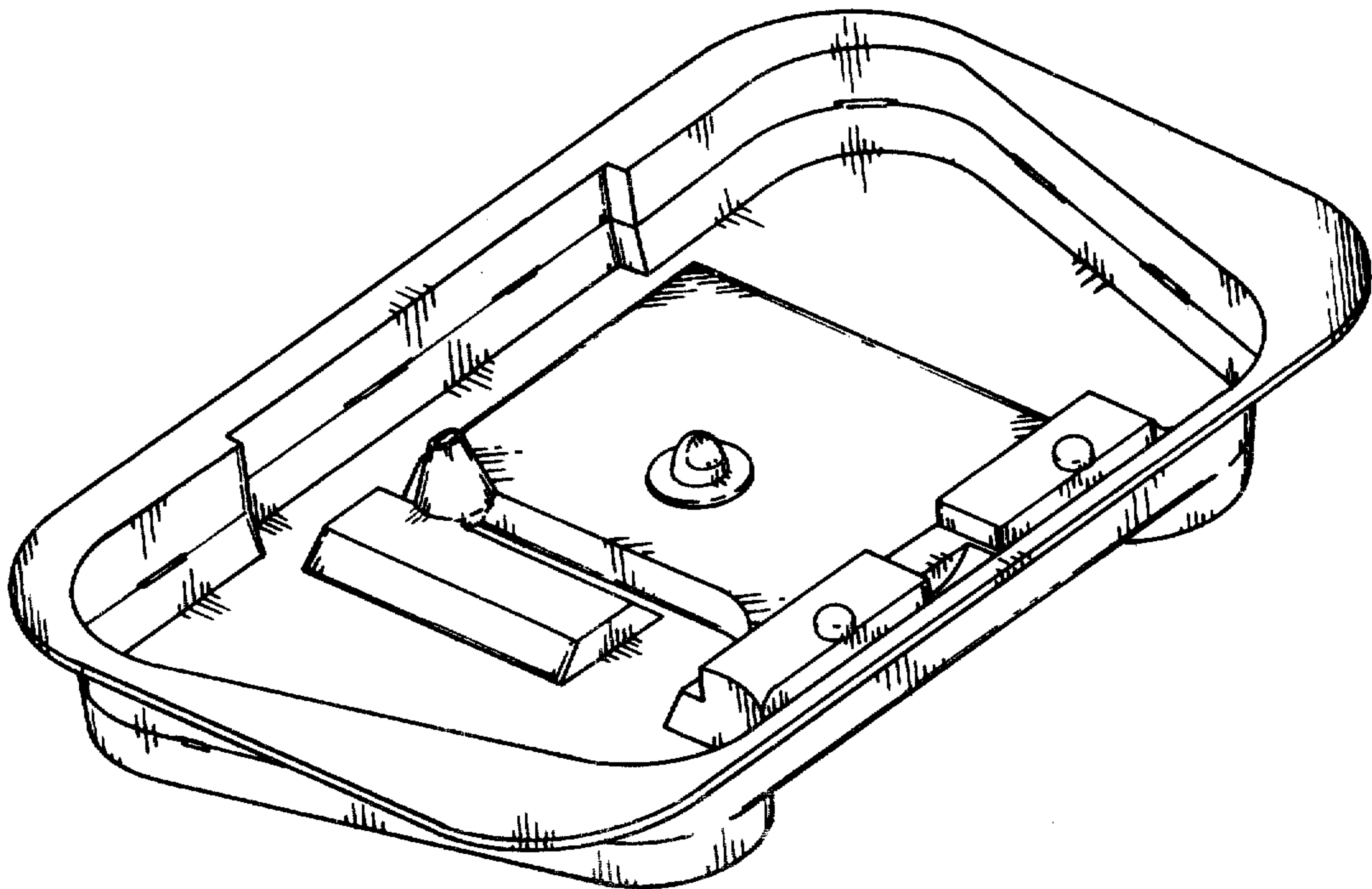
[57]

CLAIM

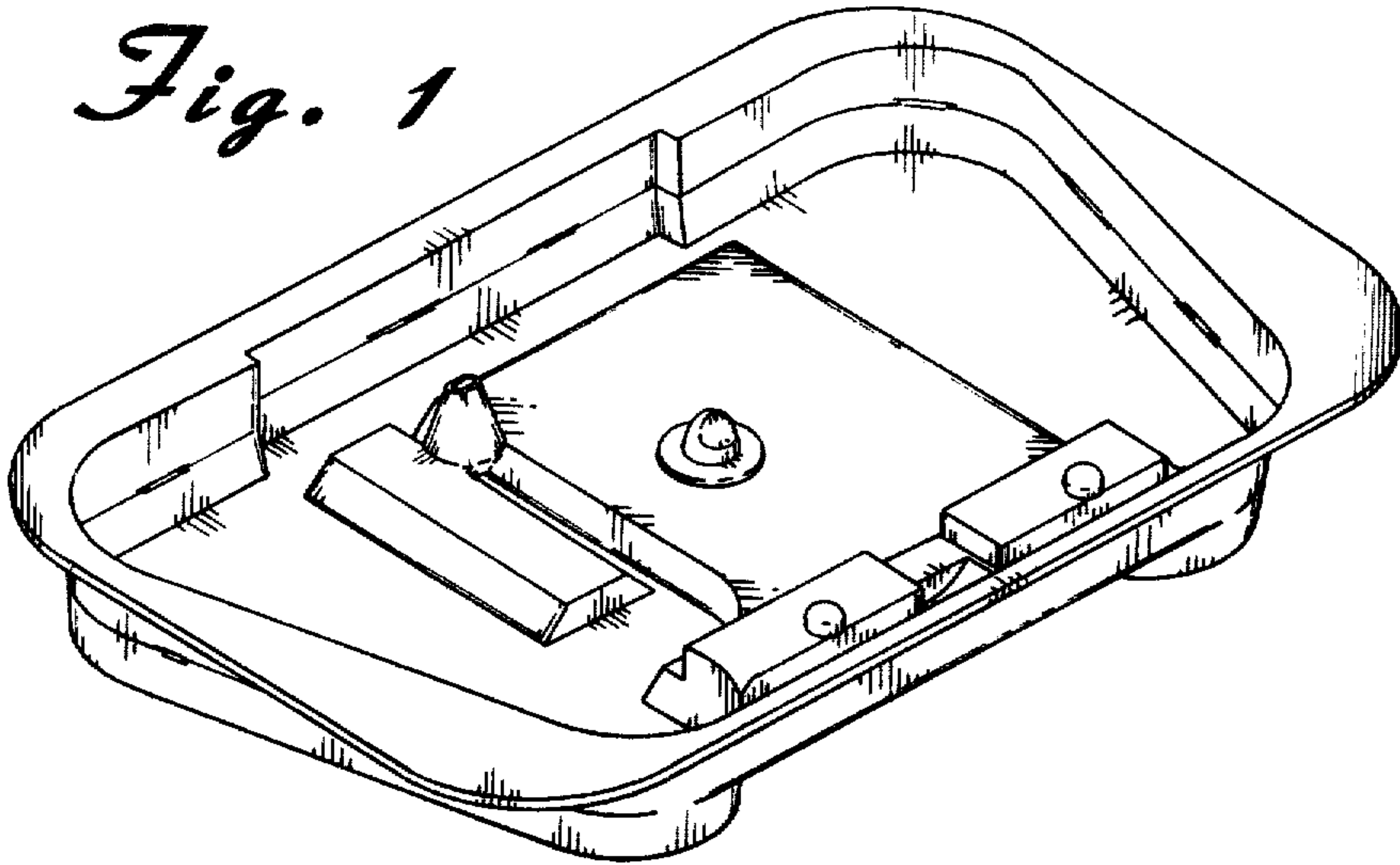
The ornamental design for a tray for holding typewriter film ribbon cassette, substantially as shown and described.

DESCRIPTION

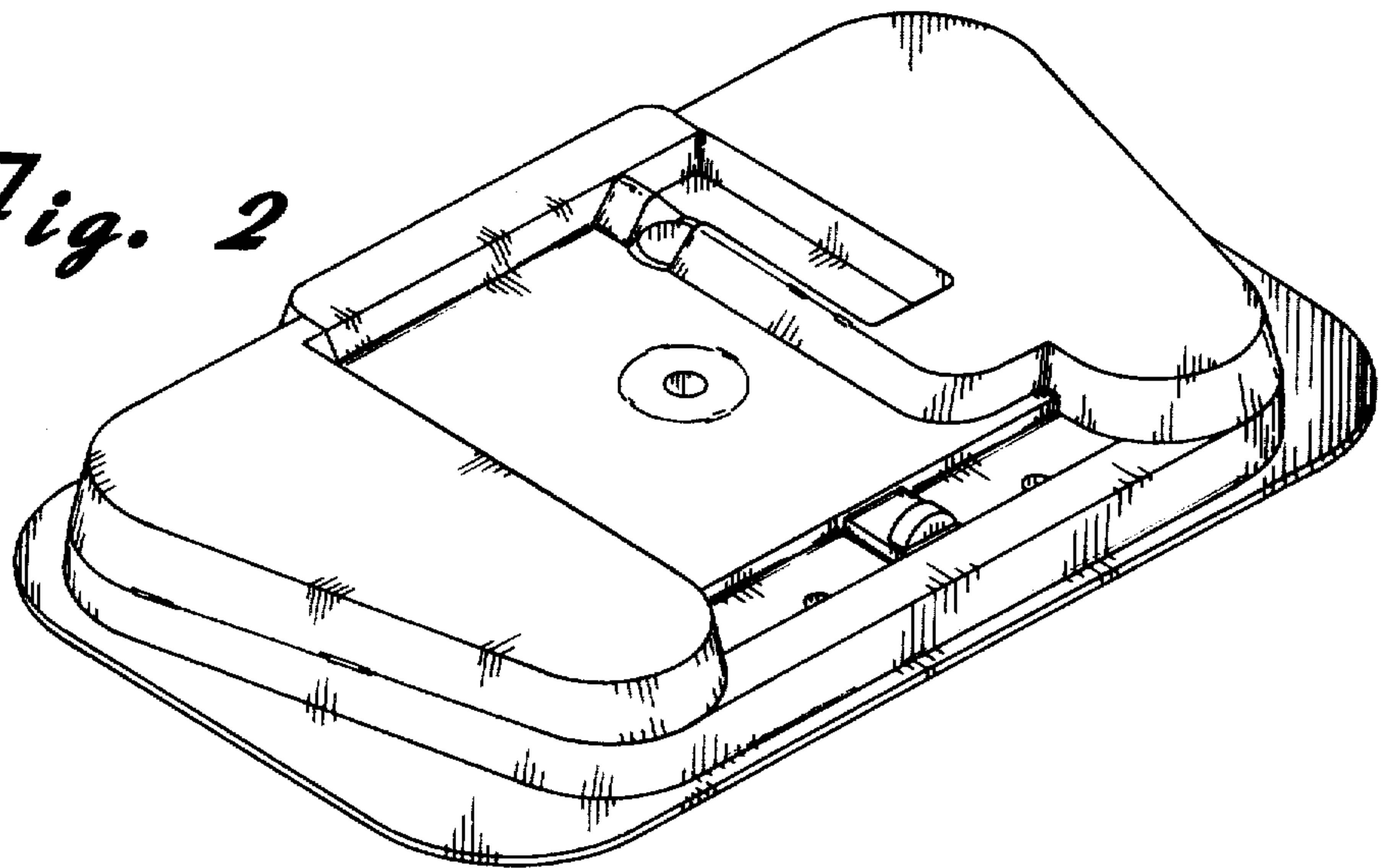
FIG. 1 is a top front perspective view of a "tray for holding typewriter film ribbon cassette" showing my new design;  
FIG. 2 is a bottom front perspective view thereof;  
FIG. 3 is a left side elevational view thereof; and  
FIG. 4 is a rear elevational view thereof.



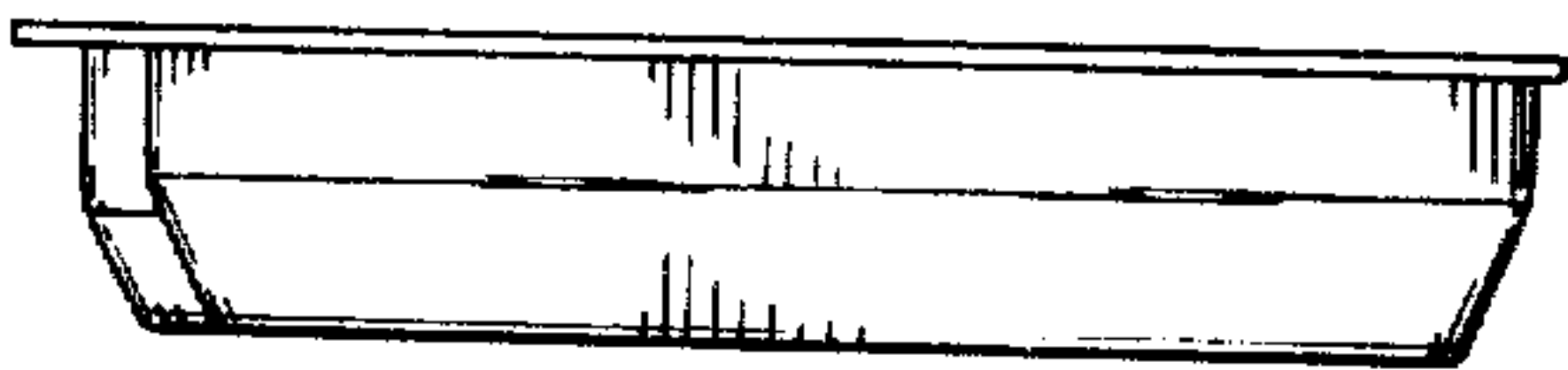
*Fig. 1*



*Fig. 2*



*Fig. 3*



*Fig. 4*

