

[54] VALANCE BRACKET FOR VENETIAN BLIND

[75] Inventor: Basil Buck, Middlesex, N.J.

[73] Assignee: Hunter Douglas, Inc., Totowa, N.J.

[\*\*] Term: 14 Years

[21] Appl. No.: 163,502

[22] Filed: Jun. 27, 1980

[51] Int. Cl. .... D8-08

[52] U.S. Cl. .... D8/354; D8/363; D8/366

[58] Field of Search ..... 248/262, 251, 273, 252; 160/38, 19; D8/363, 354, 376, 377, 366, 373

[56] References Cited

U.S. PATENT DOCUMENTS

D. 257,322	10/1980	Pichelman et al. ....	D8/354
3,435,876	4/1969	Toti .....	160/38
4,228,980	10/1980	Beauchamp et al. ....	248/262
4,254,813	3/1981	Vecchiarelli .....	160/38 X
4,254,814	3/1981	Vecchiarelli .....	160/38 X

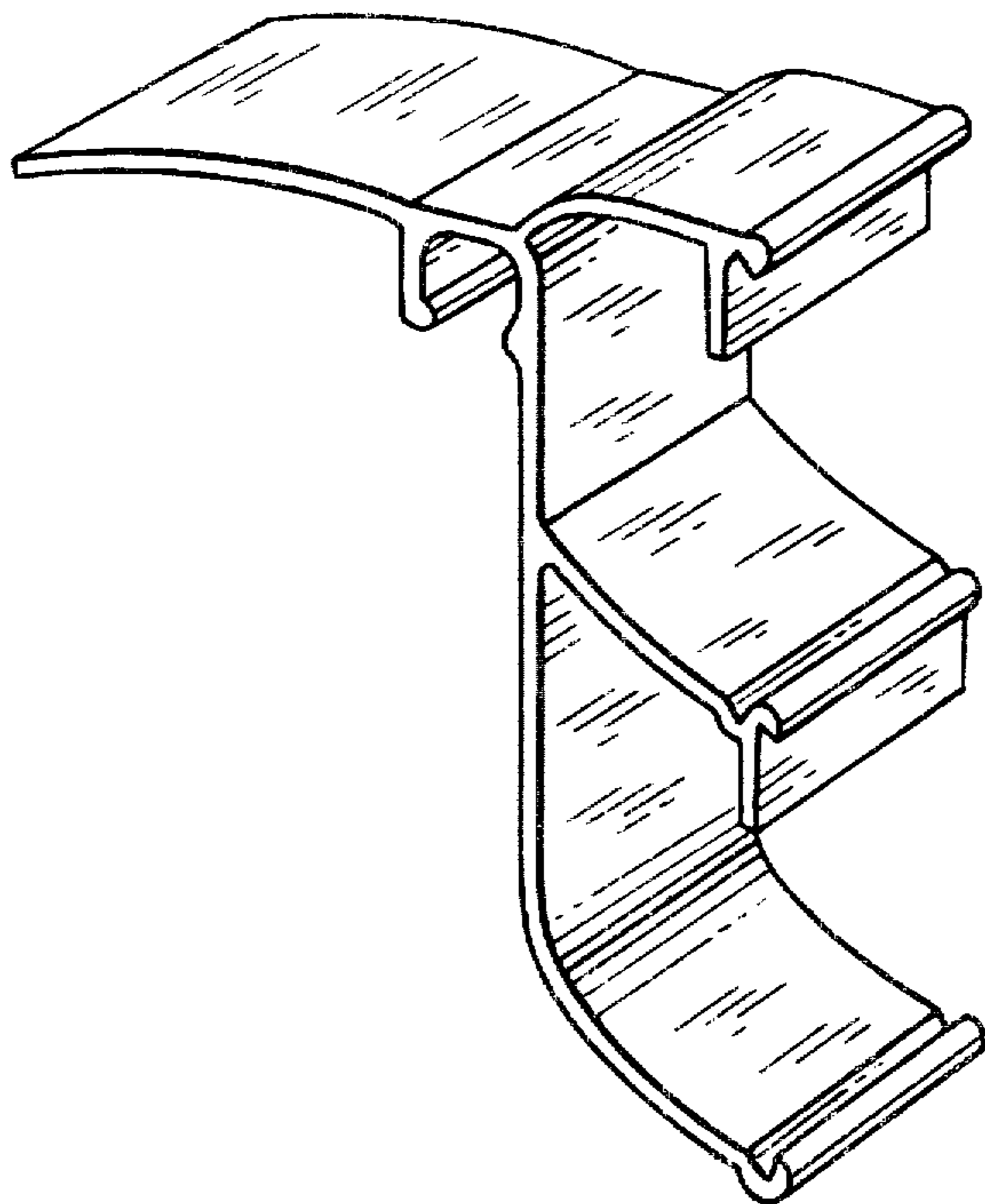
Primary Examiner—A. Hugo Word  
Attorney, Agent, or Firm—Pennie & Edmonds

[57] CLAIM

The ornamental design for a valance bracket for venetian blind, substantially as shown and described.

DESCRIPTION

FIG. 1 shows a perspective view of the invention; FIG. 2 is a plan view looking downward on the invention; FIG. 3 is a front view; FIG. 4 is a rear view; FIG. 5 is an end view; and FIG. 6 is a plan view looking upward.



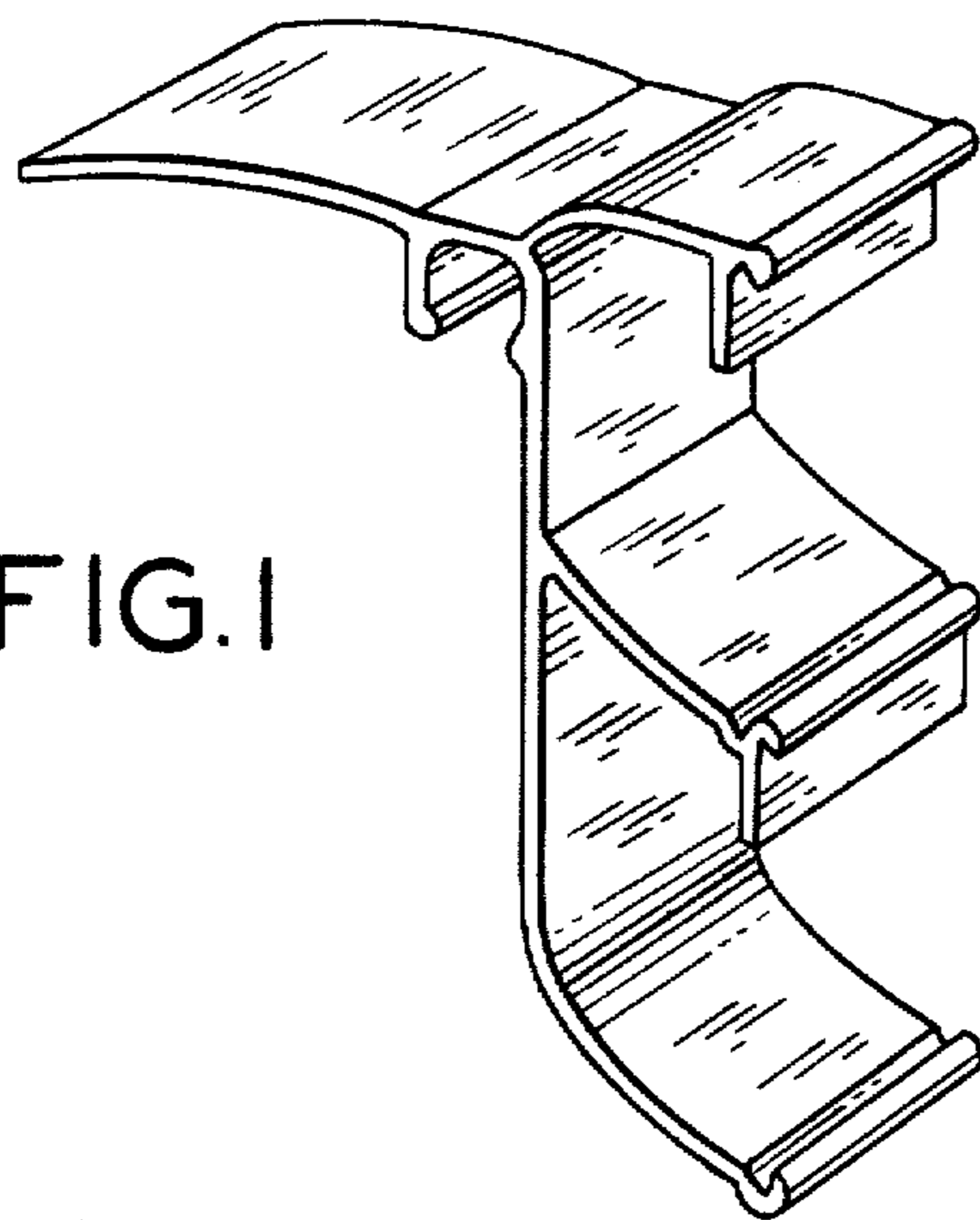


FIG. 2

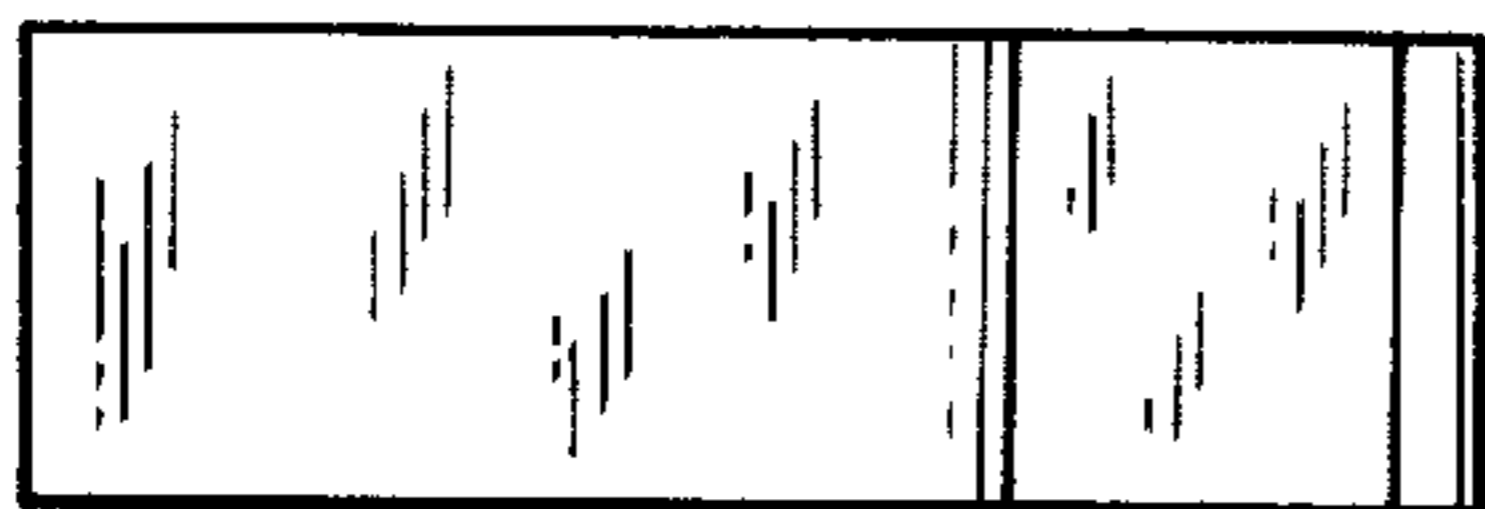


FIG. 6

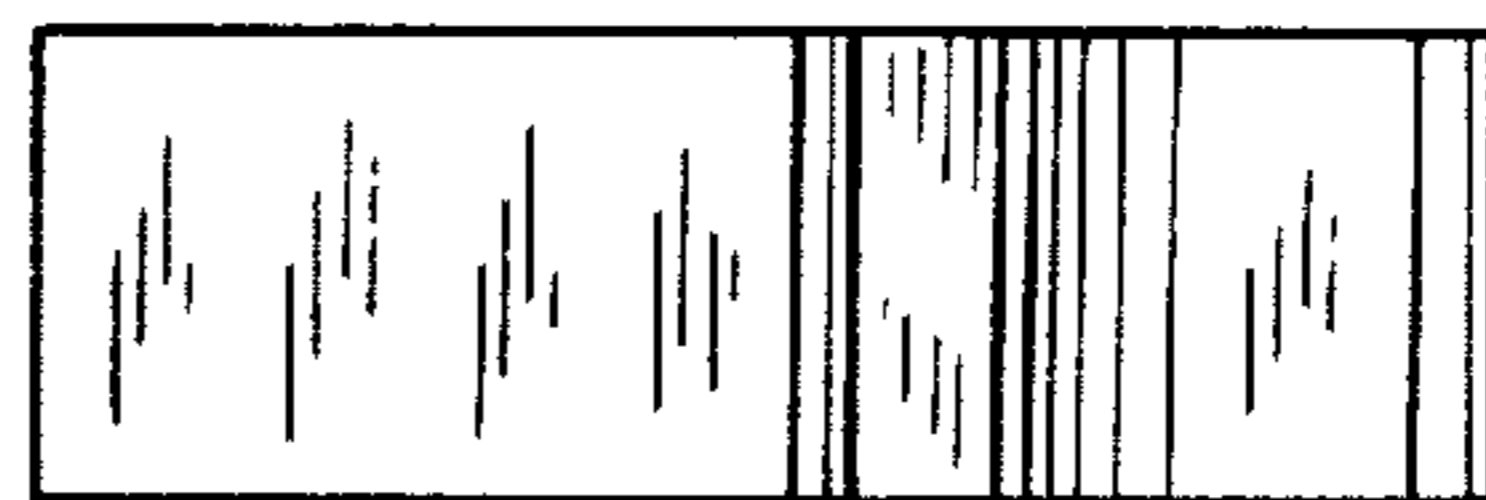


FIG. 4

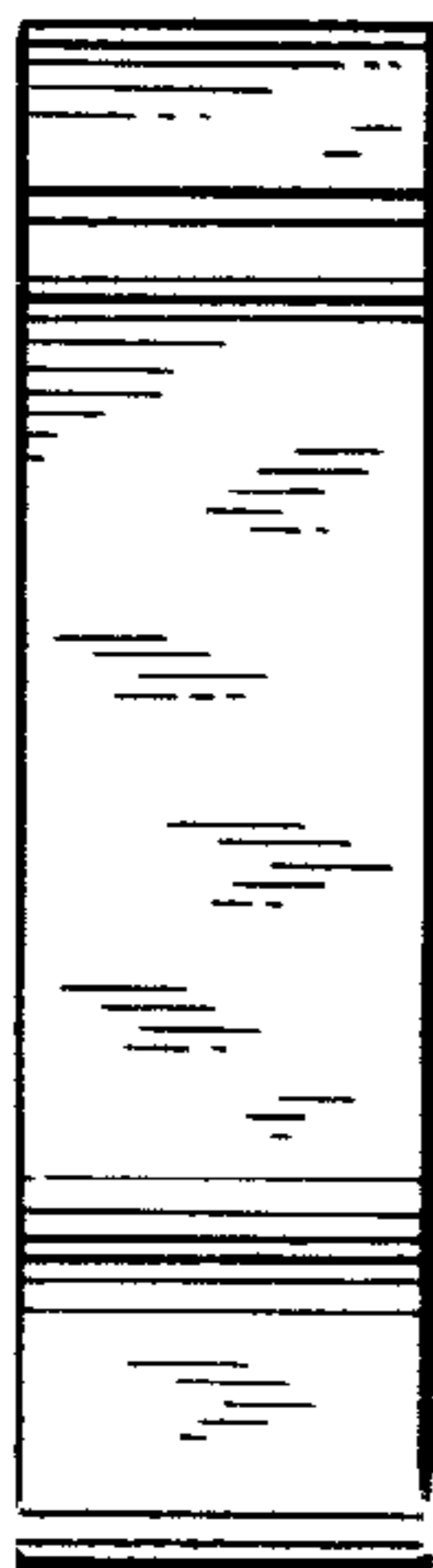


FIG. 3



FIG. 5

