

[54] SERVICE BOOTH FOR STORES AND THE LIKE

[75] Inventors: Henry N. Saurage, III; Donna M. Saurage; Janette D. Waddelow, all of Baton Rouge, La.

[73] Assignee: Community Coffee Company, Inc., Baton Rouge, La.

[\*\*] Term: 14 Years

[21] Appl. No.: 144,639

[22] Filed: Apr. 28, 1980

[51] Int. Cl. .... D6-04

[52] U.S. Cl. .... D6/144; D6/157; D6/181; D25/16

[58] Field of Search ..... D6/144, 146, 157, 183, D6/181; D25/1, 16, 33, 56; 52/66, 79.1, 64, 72

[56] References Cited

U.S. PATENT DOCUMENTS

D. 197,766	3/1964	Roxburgh	.....	D25/16 X
D. 241,735	10/1976	Goetz	.....	D6/144 X
D. 250,159	11/1978	Pool et al.	.....	D6/144 X
589,971	9/1897	Kephart	.....	D25/16 X
4,236,359	12/1980	Woolford	.....	D25/16 X

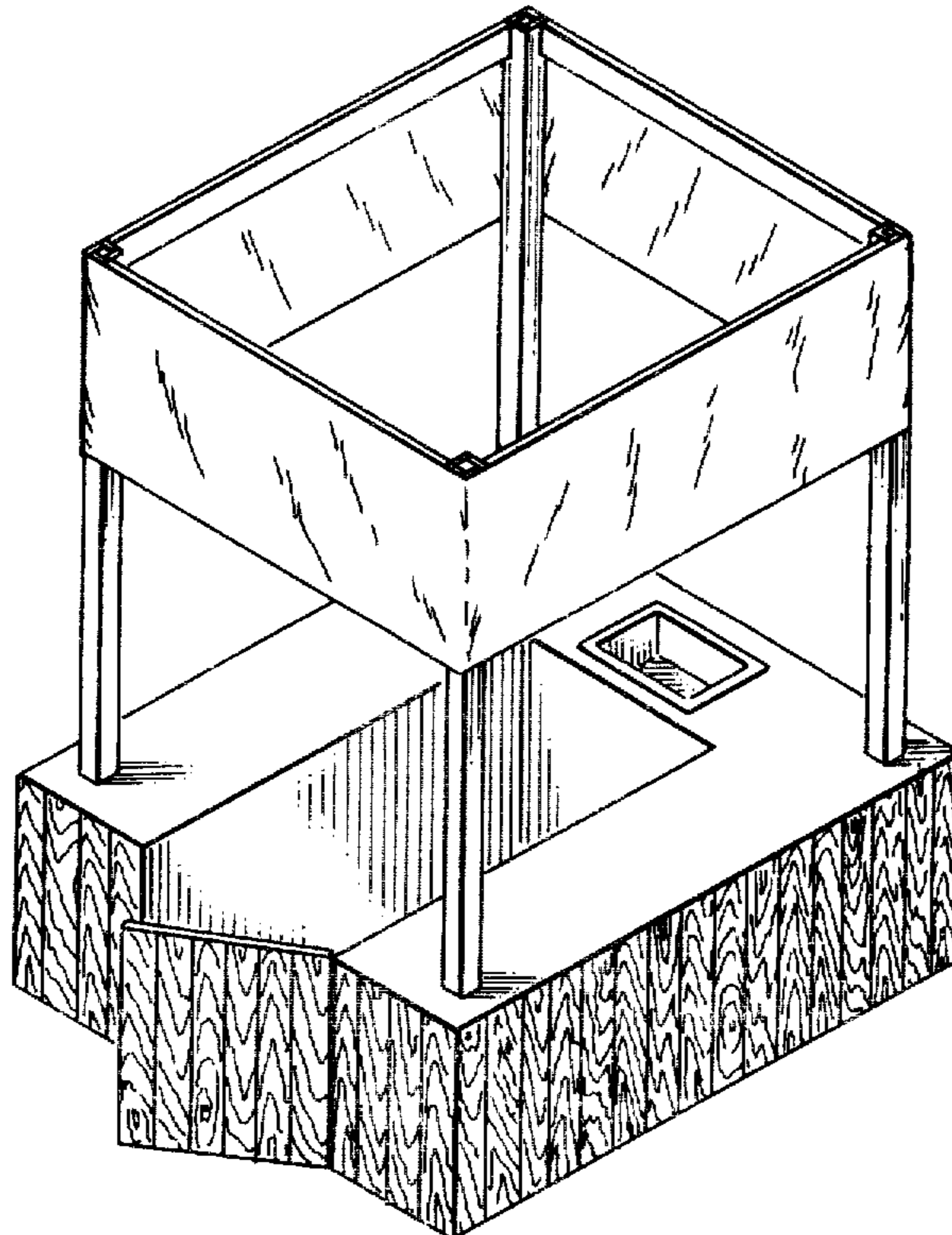
Primary Examiner—A. Hugo Word  
Attorney, Agent, or Firm—Edgar E. Spielman, Jr.

[57] CLAIM

The ornamental design for a service booth for stores and the like, as shown.

DESCRIPTION

FIG. 1 is a perspective view of a service booth for stores and the like showing our new design; FIG. 2 is a top plan view thereof; FIG. 3 is a rear elevational view thereof; and FIG. 4 is a left side elevational view thereof.



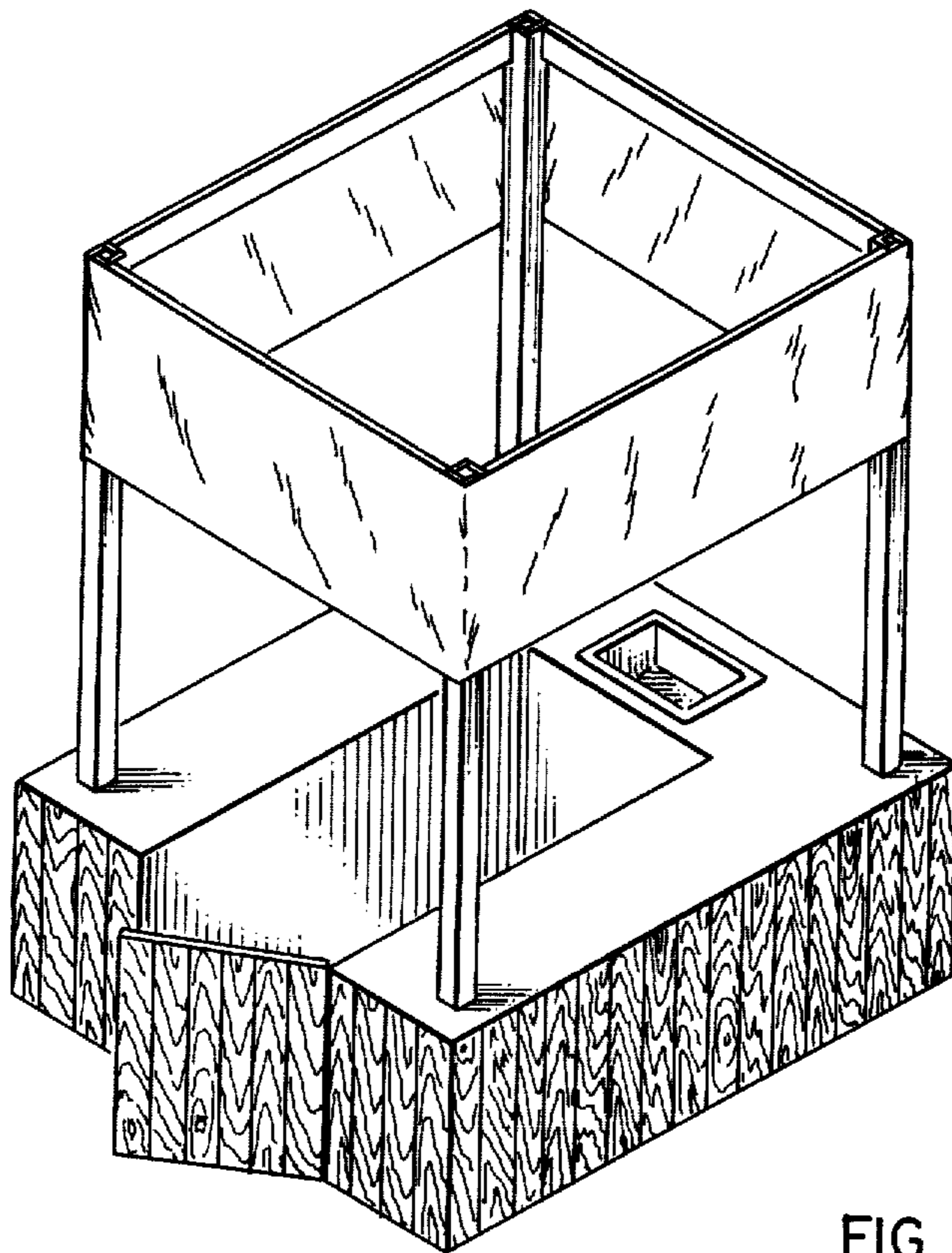


FIG. 1.

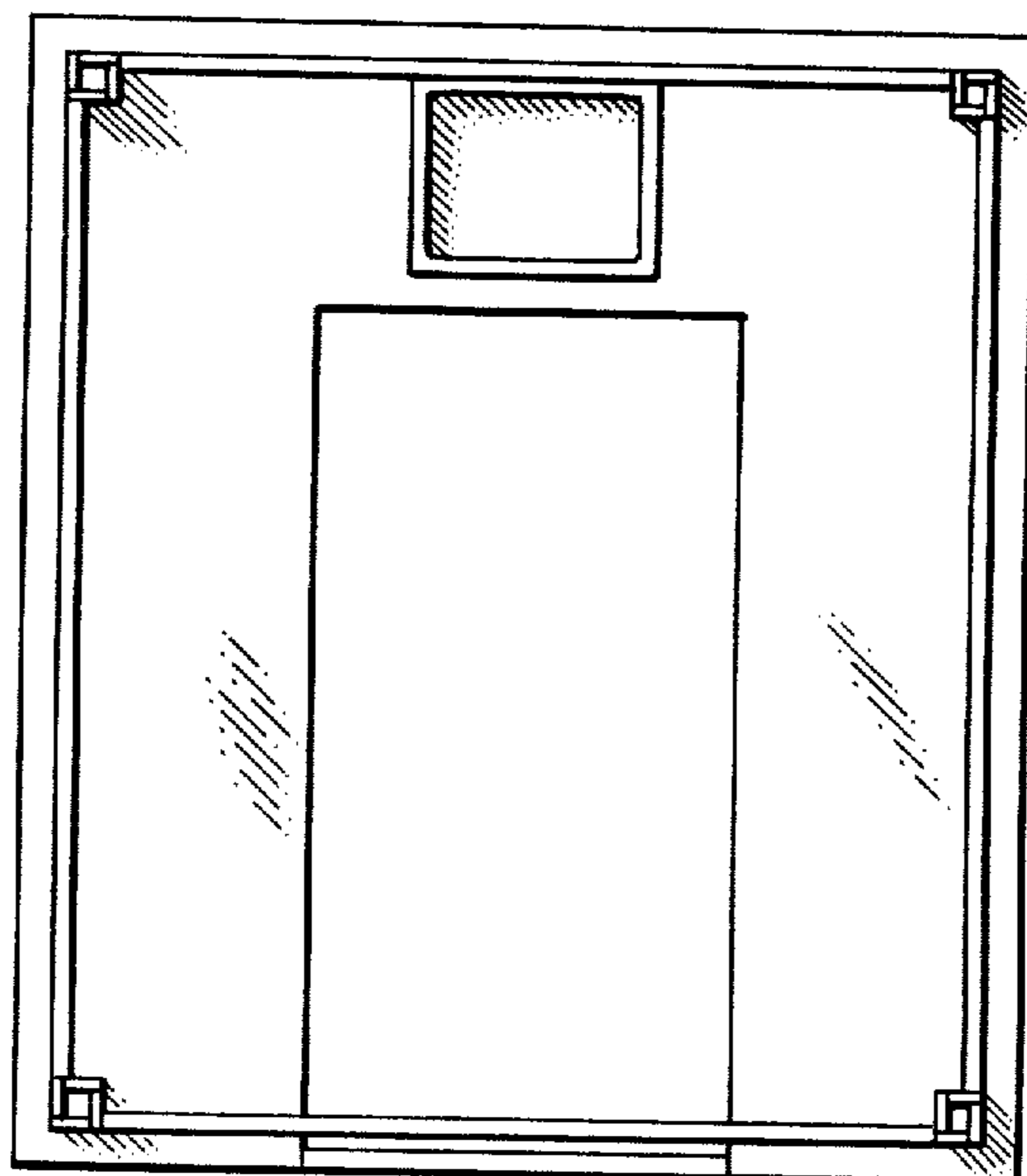


FIG. 2.

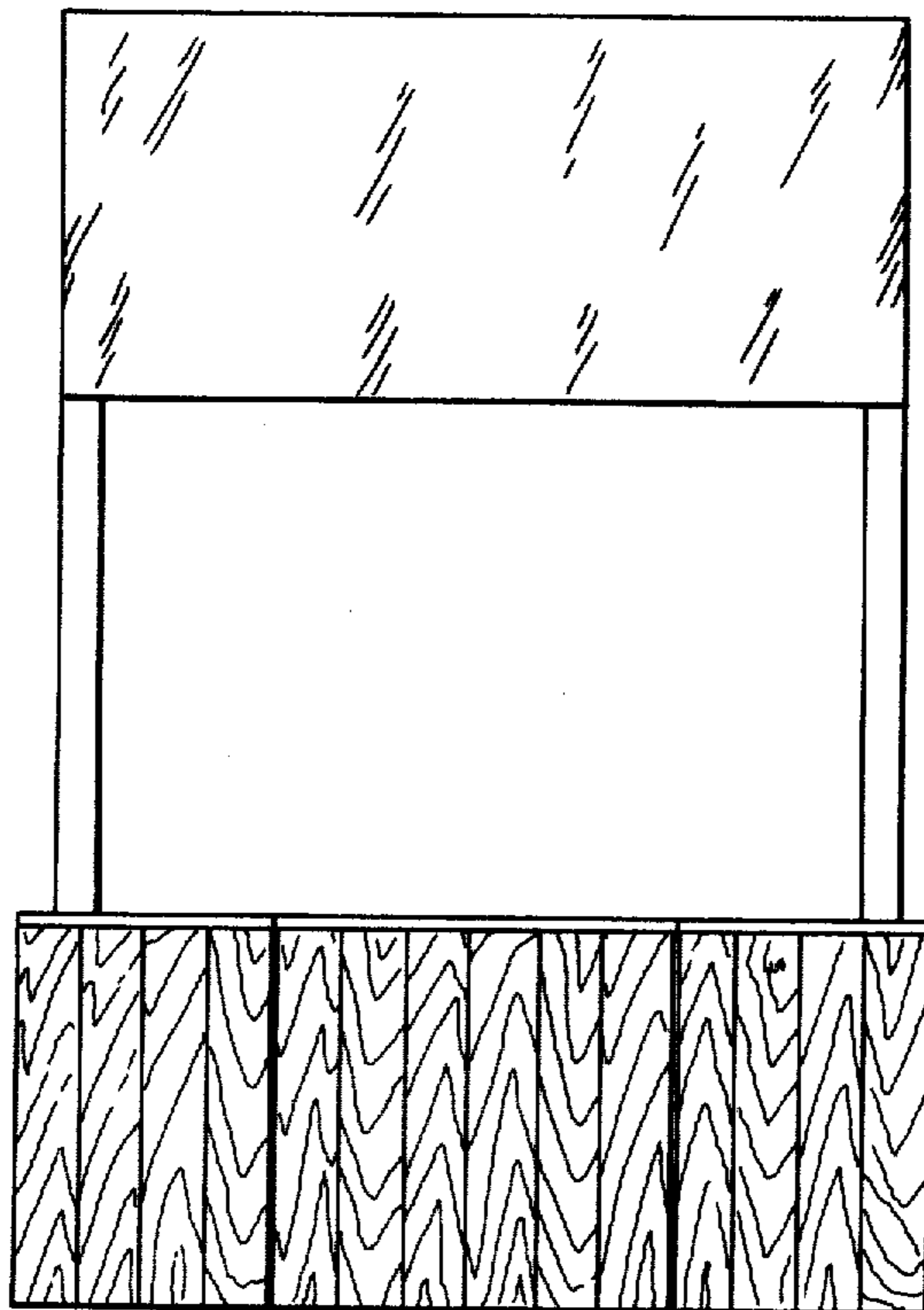


FIG. 3.

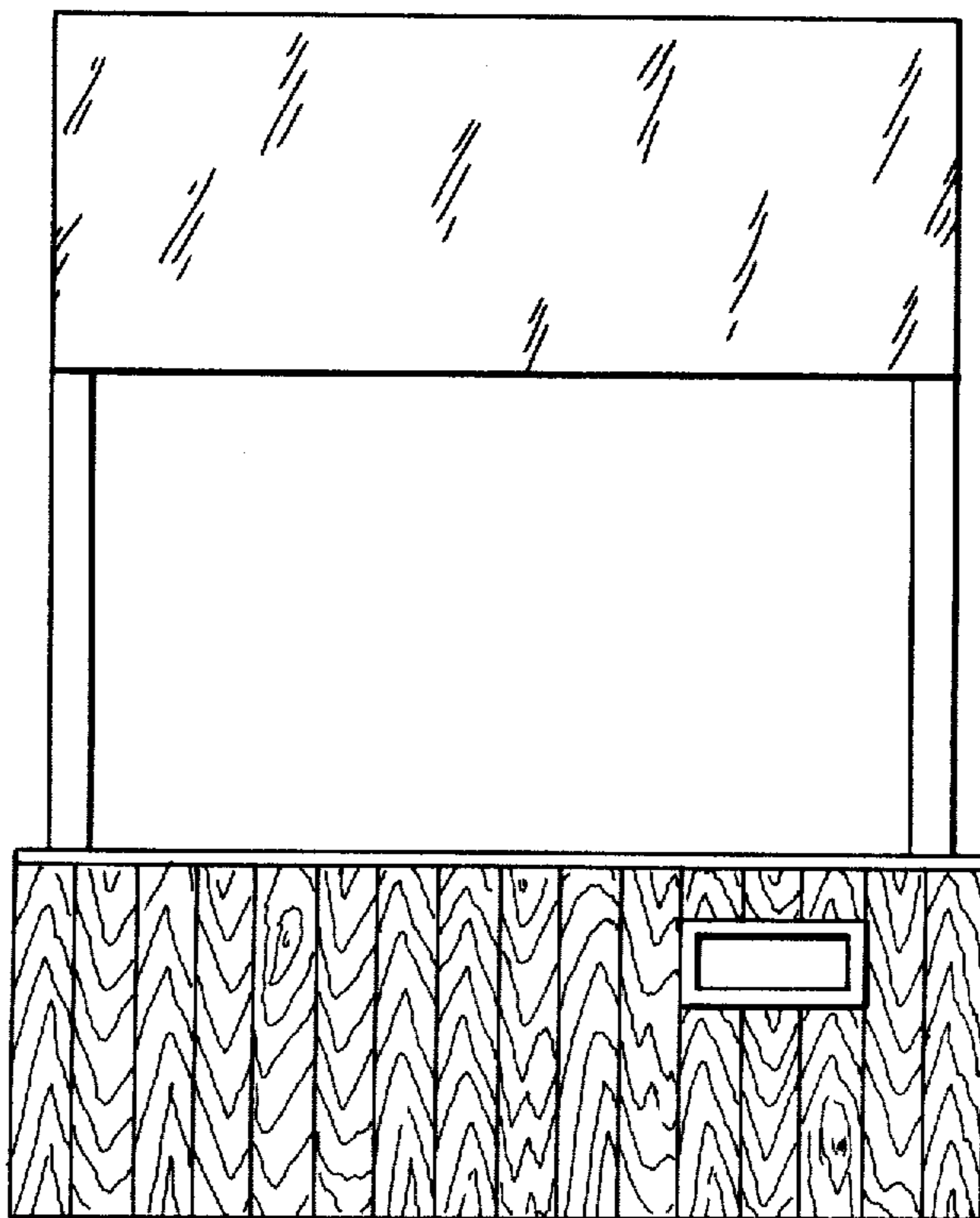


FIG. 4.