

[54] DISPLAY TRAY

[75] Inventors: Jean Virte, Domont; Laurent Costa, Ville D'Avray, both of France

[73] Assignee: Union Carbide Corporation, Danbury, Conn.

[**] Term: 14 Years

[21] Appl. No.: 134,708

[22] Filed: Mar. 27, 1980

[51] Int. Cl. D08-08; D06-06

[52] U.S. Cl. D6/114; D6/125; D8/373

[58] Field of Search D6/85, 114, 120, 124, D6/157, 181, 125; 211/106, 88, 49, 59; 248/220.4, 214, 242; D8/373, 380

[56] References Cited

U.S. PATENT DOCUMENTS

- 754,858 3/1904 Edison .
- 856,593 6/1907 Lee .
- 1,255,444 2/1918 Leon et al. .
- 1,703,987 3/1929 Butler .

- 1,758,098 5/1930 Williams .
- 1,921,462 8/1933 Graham 211/88
- 2,932,544 4/1960 Lambert .
- 3,089,597 5/1963 Kaplan 211/88
- 3,161,295 12/1964 Chesley 211/49
- 3,265,246 8/1966 Messenger .
- 3,986,649 10/1976 Heimstra 211/88 X
- 4,027,799 6/1977 Stucker 211/106 X

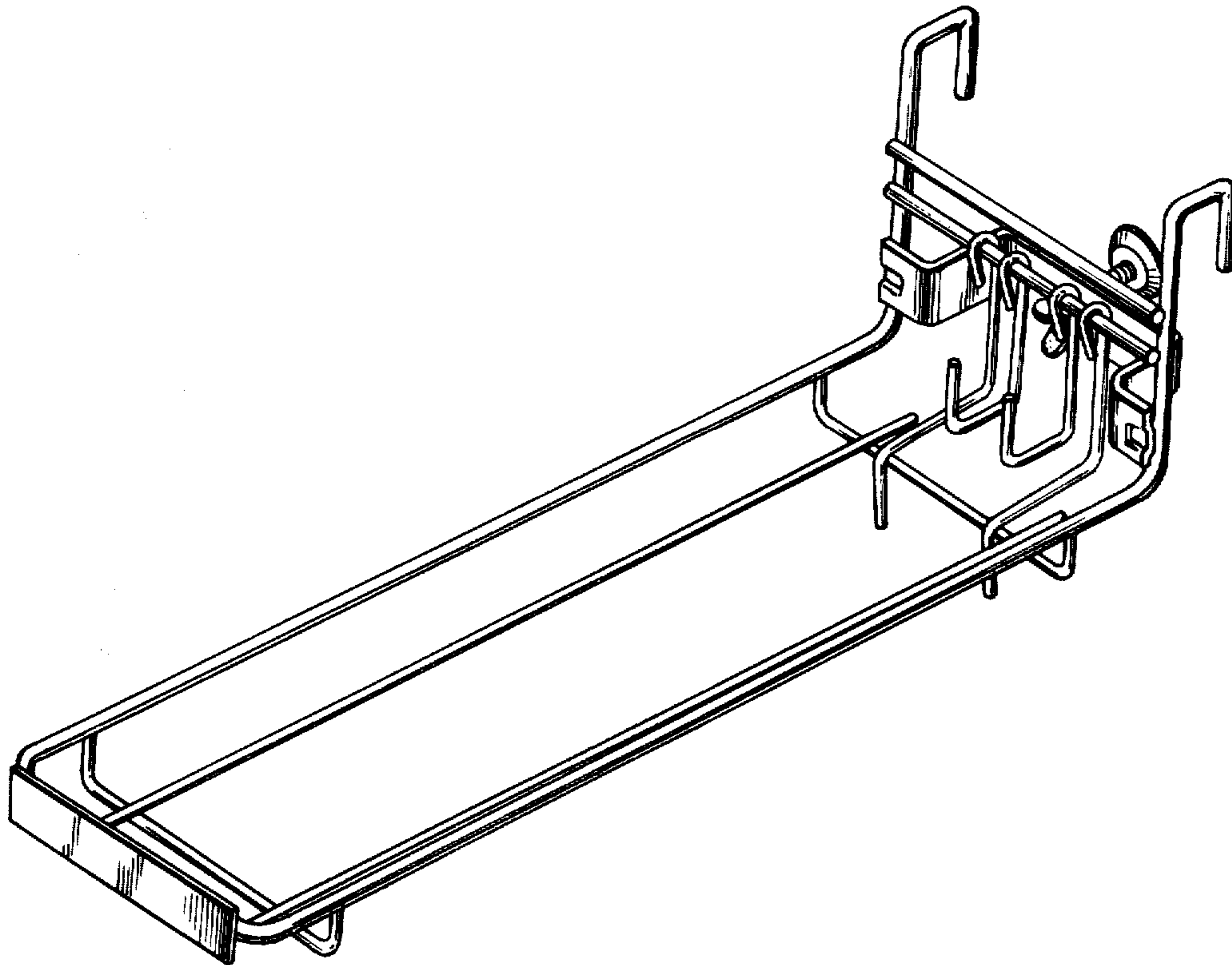
Primary Examiner—Joel Stearman
Assistant Examiner—Carmen H. Vales
Attorney, Agent, or Firm—Cornelius F. O'Brien

[57] CLAIM

The ornamental design for a display tray, as shown and described.

DESCRIPTION

FIG. 1 is a perspective view of the display tray showing our new design;
FIG. 2 is a top plan view thereof;
FIG. 3 is a side elevational view thereof, the opposite side being a mirror image thereof;
FIG. 4 is a front elevational view thereof;
FIG. 5 is a rear elevational view thereof; and
FIG. 6 is a bottom plan view thereof.



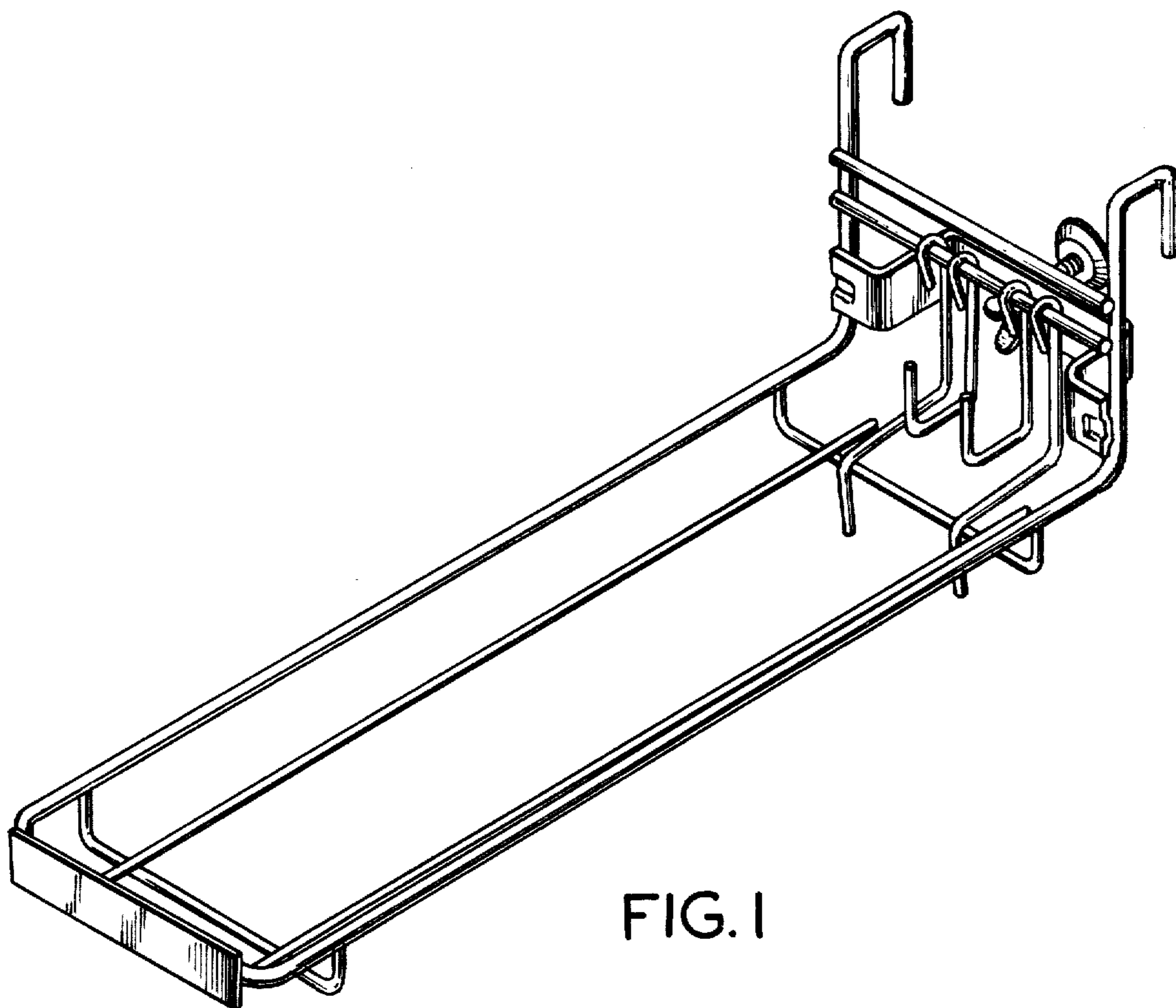


FIG. 1

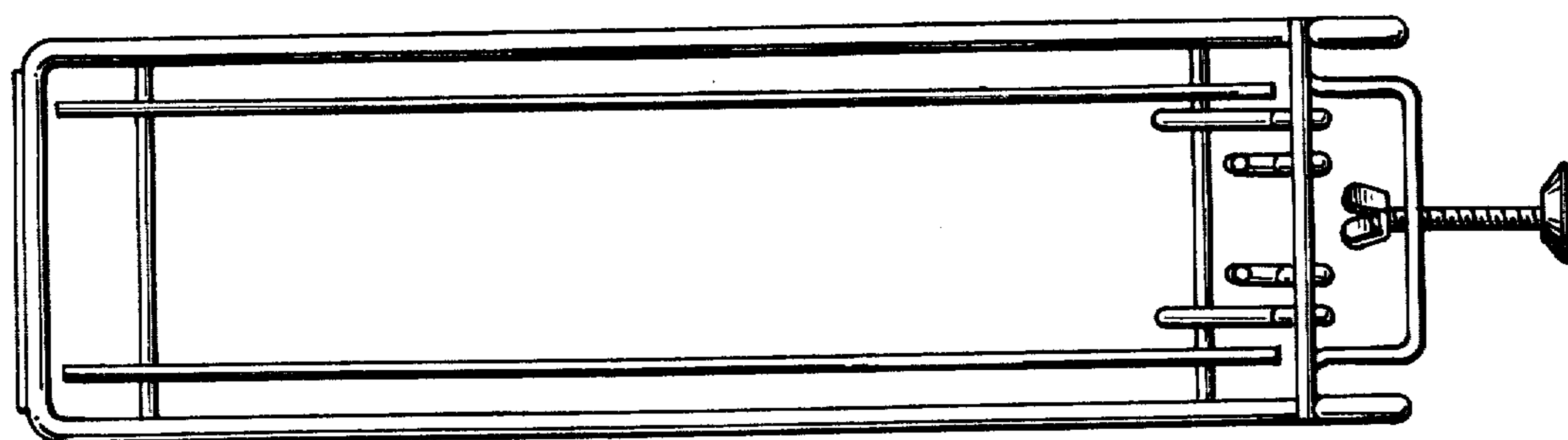


FIG. 2

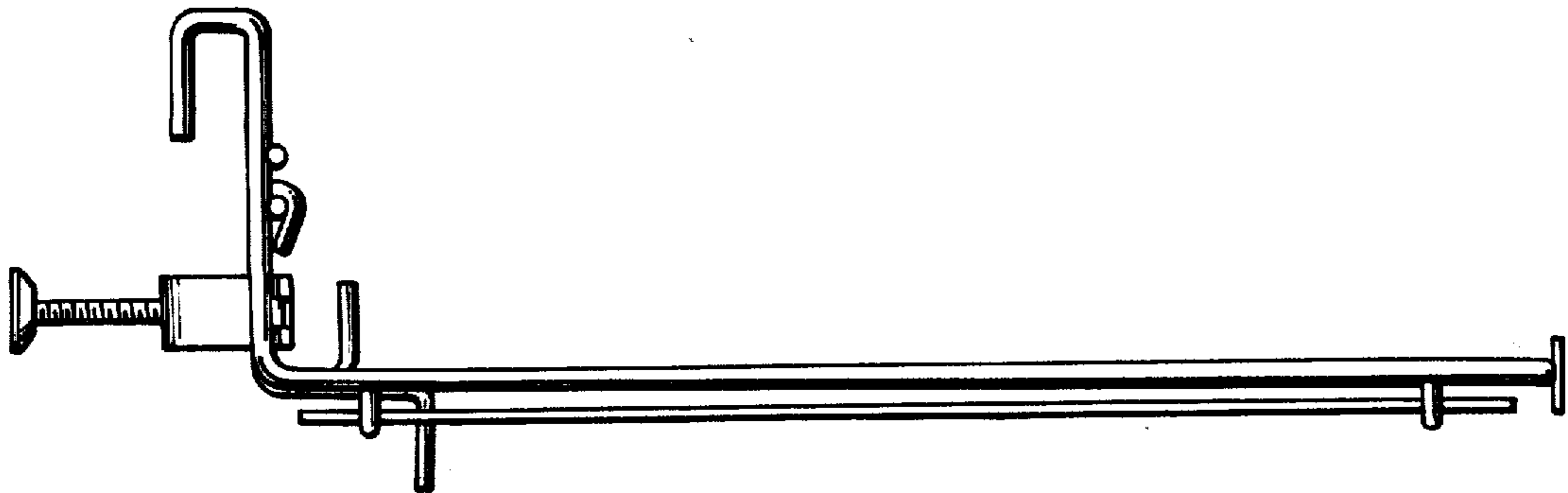


FIG.3

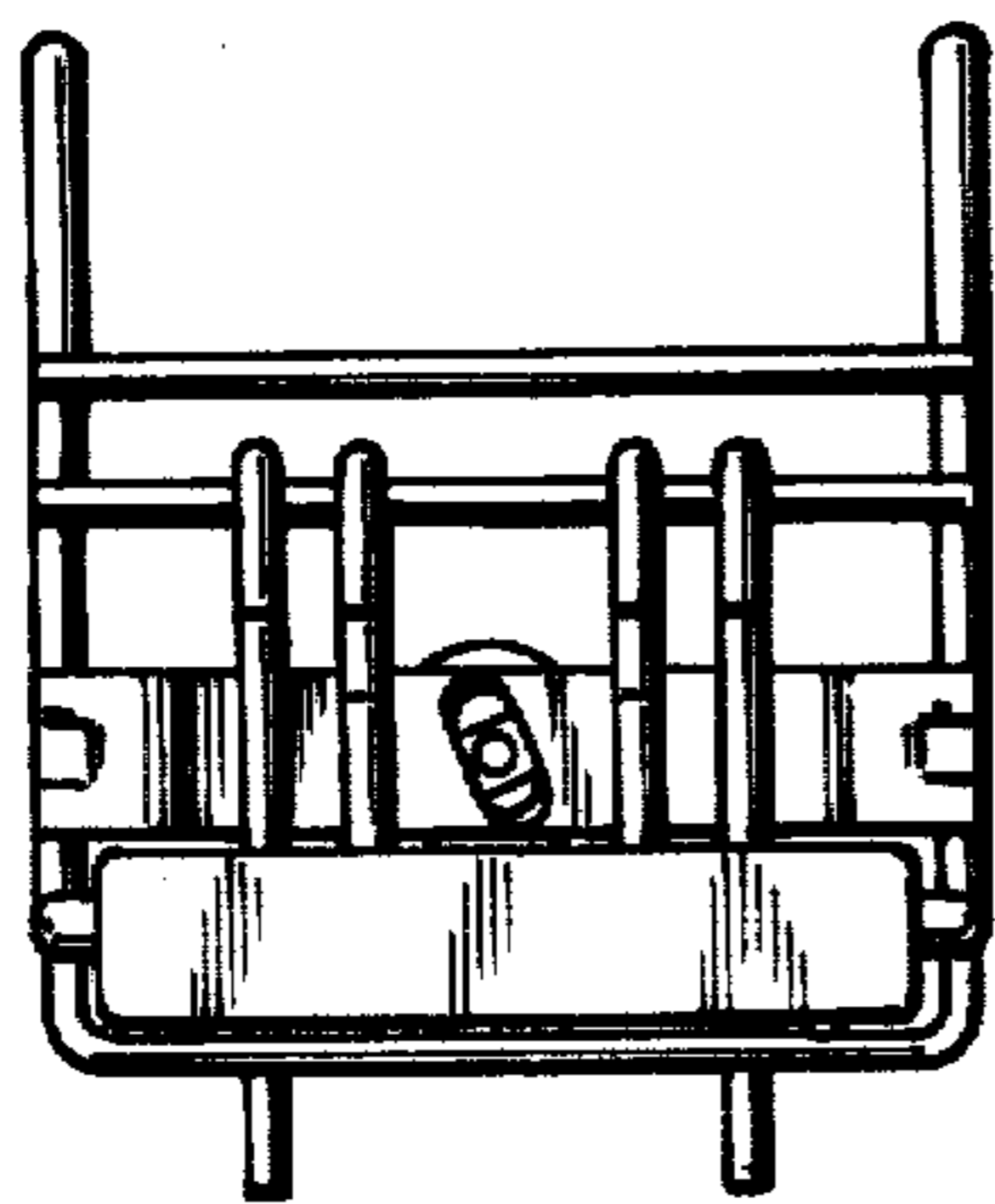


FIG.4

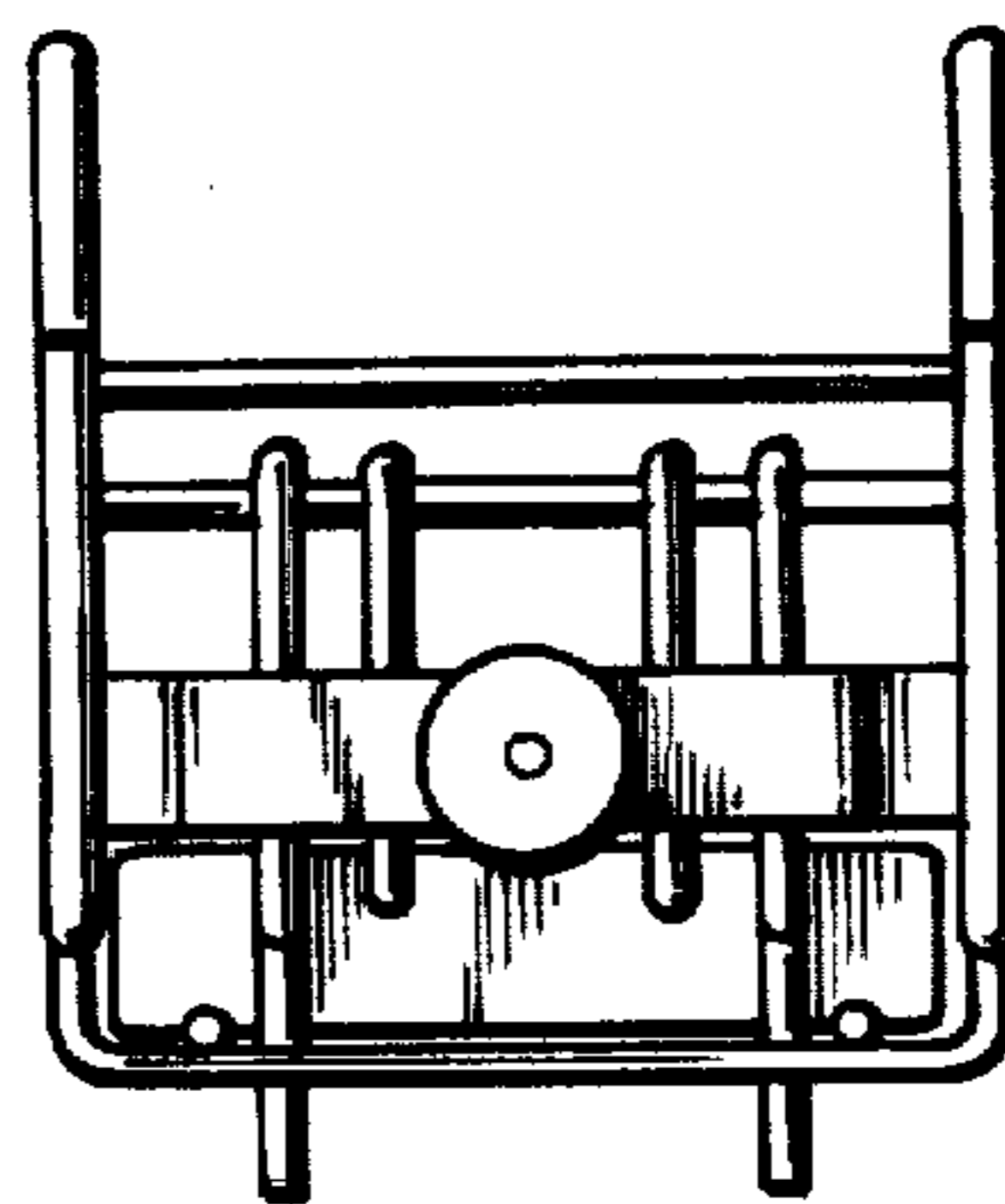


FIG.5

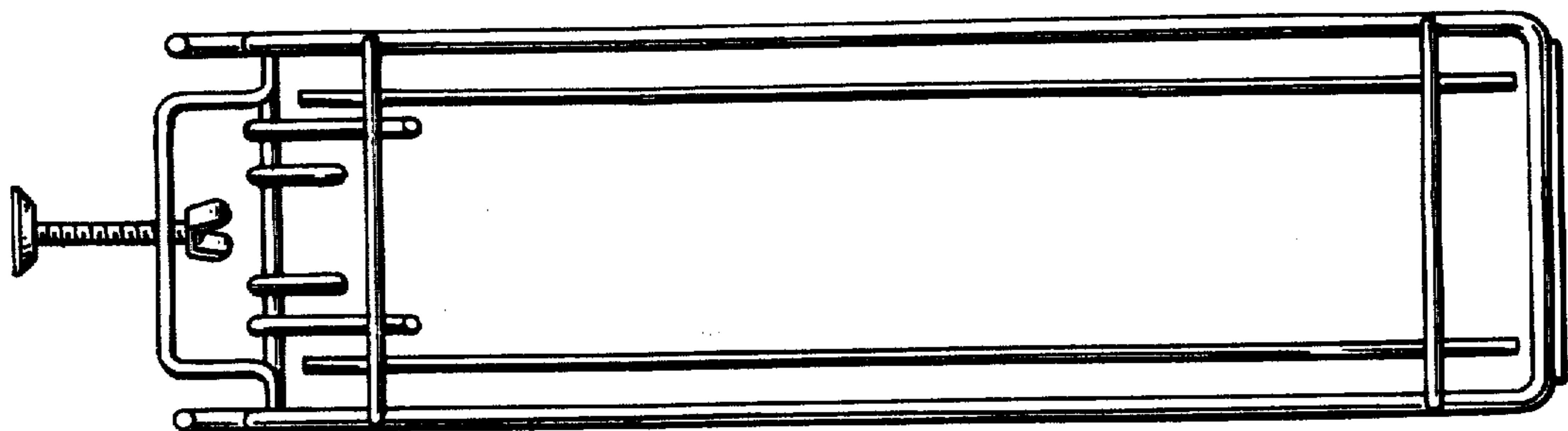


FIG.6