

[54] **BATTERY OPERATED LANTERN**

[75] Inventor: **Kittson Mann, Kowloon, Hong Kong**

[73] Assignee: **Chung Mei Metal and Plastic Factory, Ltd., Kowloon, Hong Kong**

[**] Term: **7 Years**

[21] Appl. No.: **133,543**

[22] Filed: **Mar. 24, 1980**

[30] **Foreign Application Priority Data**
Feb. 22, 1980 [GB] United Kingdom 993749

[51] Int. Cl. **D26—02**

[52] U.S. Cl. **D26/37**

[58] Field of Search **D26/37, 42, 46, 49, D26/50; 362/157, 184, 189, 190, 194, 195, 196, 197, 202**

[56] **References Cited**

U.S. PATENT DOCUMENTS

D. 251,268 3/1979 Zelina D26/42
D. 259,059 4/1981 Se-Kit D26/42

FOREIGN PATENT DOCUMENTS

430873 8/1967 Switzerland 362/205

Primary Examiner—Catherine E. Kemper
Attorney, Agent, or Firm—Marvin Feldman; Stephen E. Feldman

[57] **CLAIM**

The ornamental design for a battery operated lantern, substantially as shown and described.

DESCRIPTION

FIG. 1 is a top front perspective view of a battery operated lantern, showing my new design;
FIG. 2 is a side elevational view thereof;
FIG. 3 is a front elevational view thereof;
FIG. 4 is a rear elevational view thereof; and
FIG. 5 is a bottom plan view thereof.

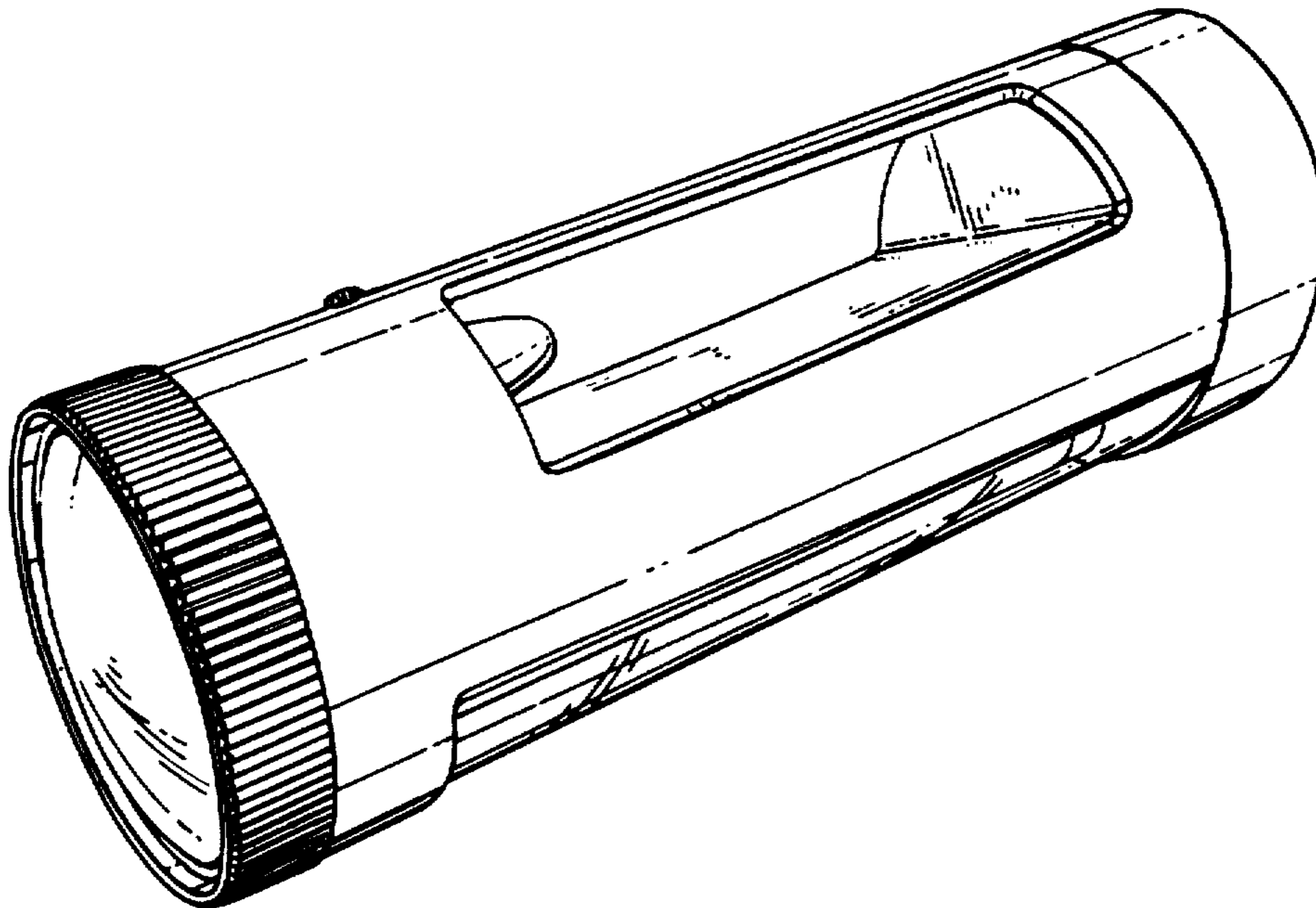


FIG. 1.

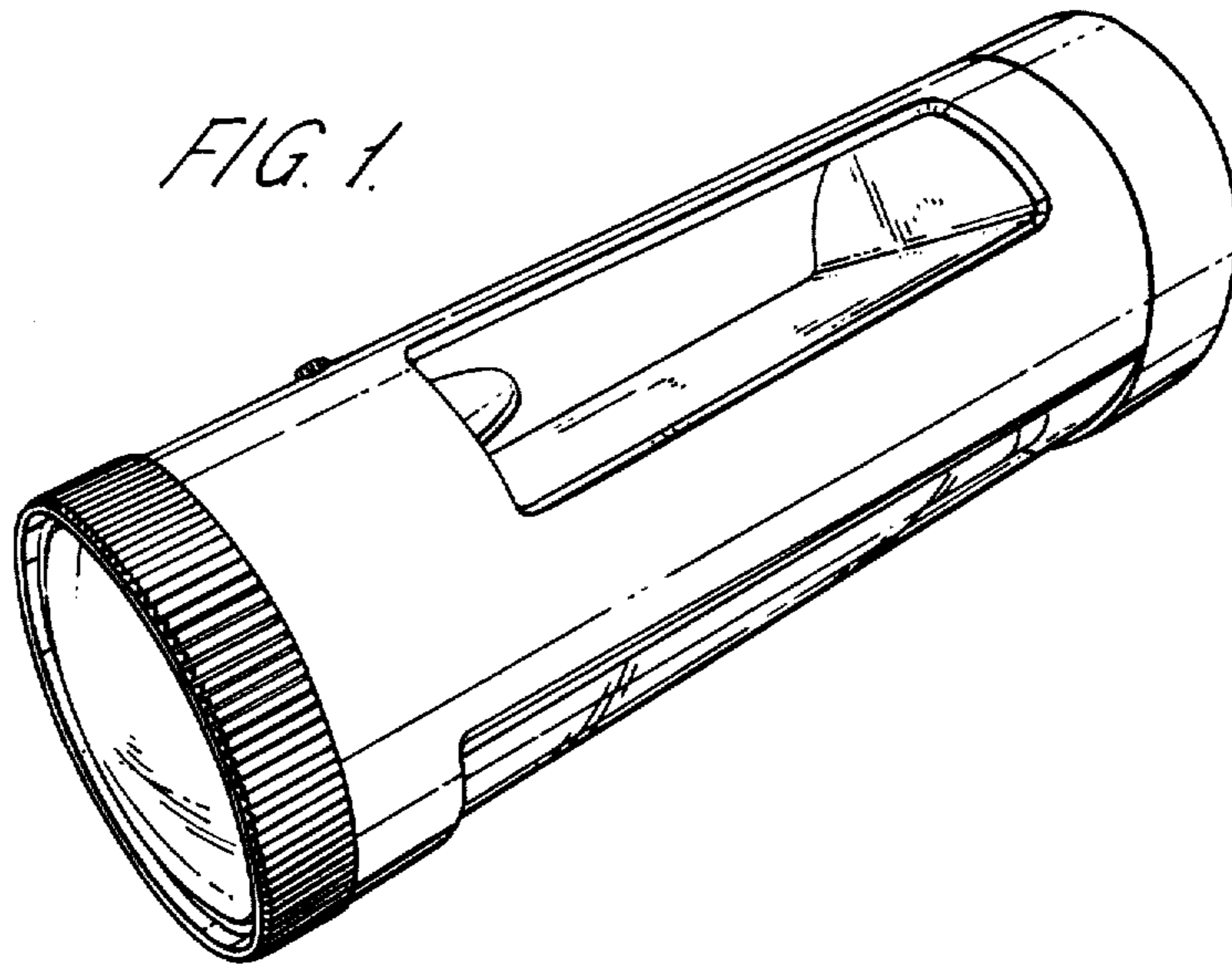


FIG. 2.

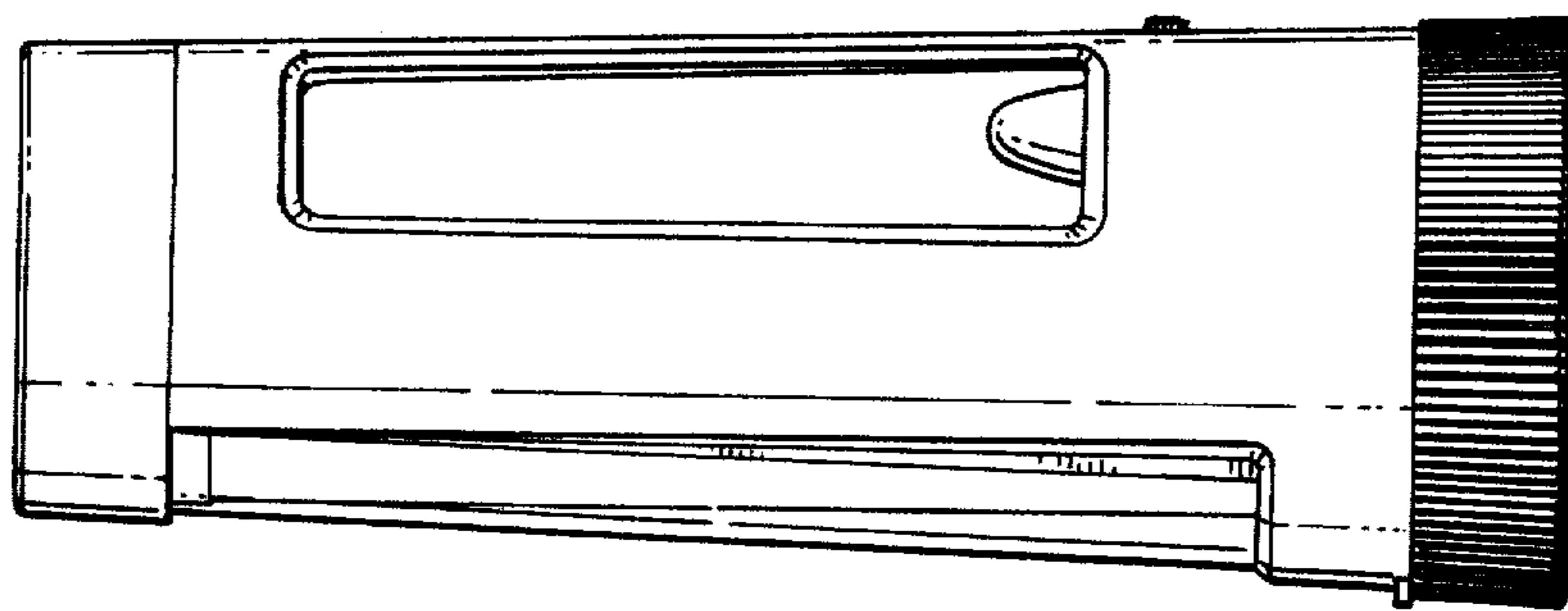


FIG. 3.

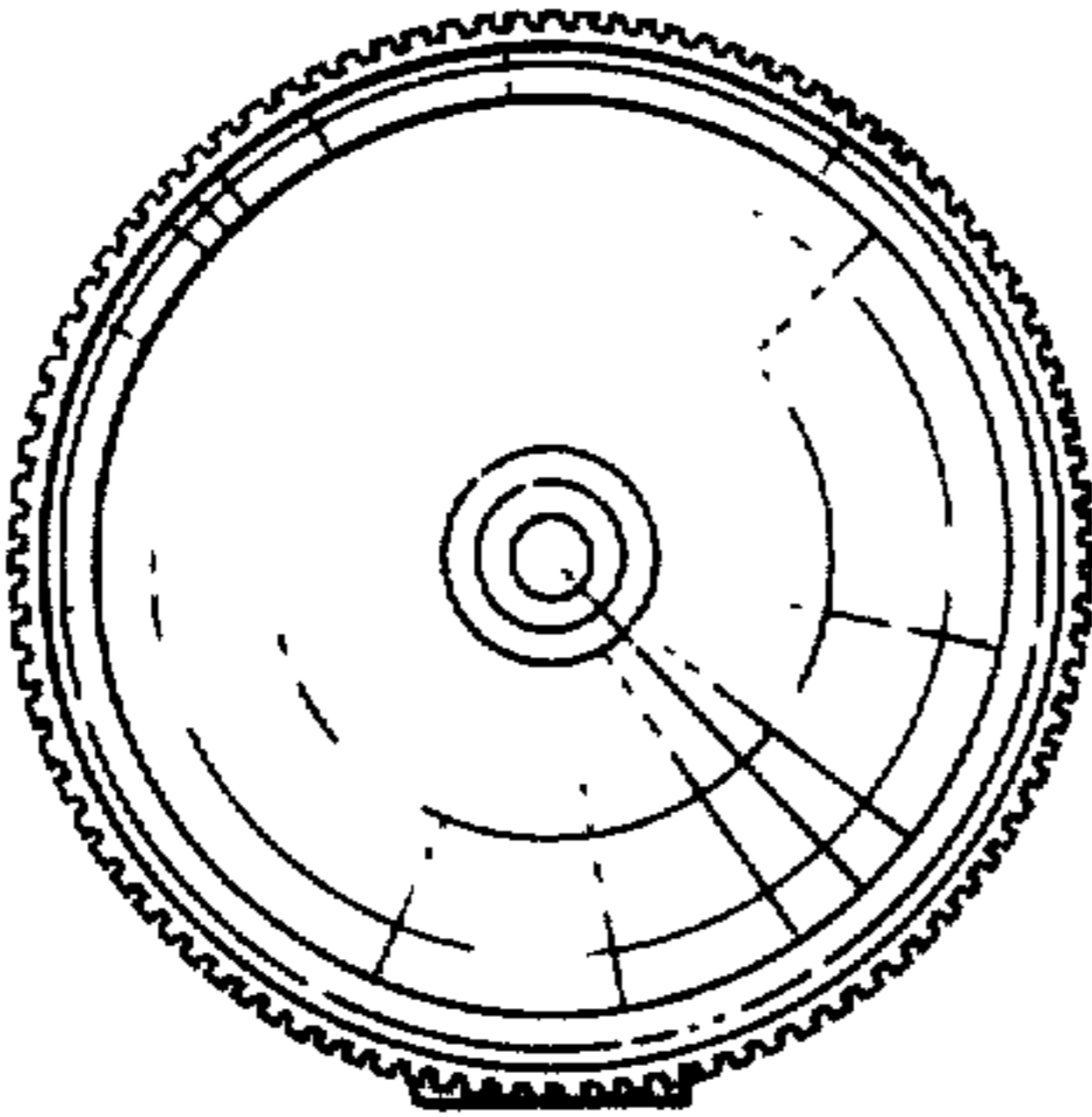


FIG. 4.

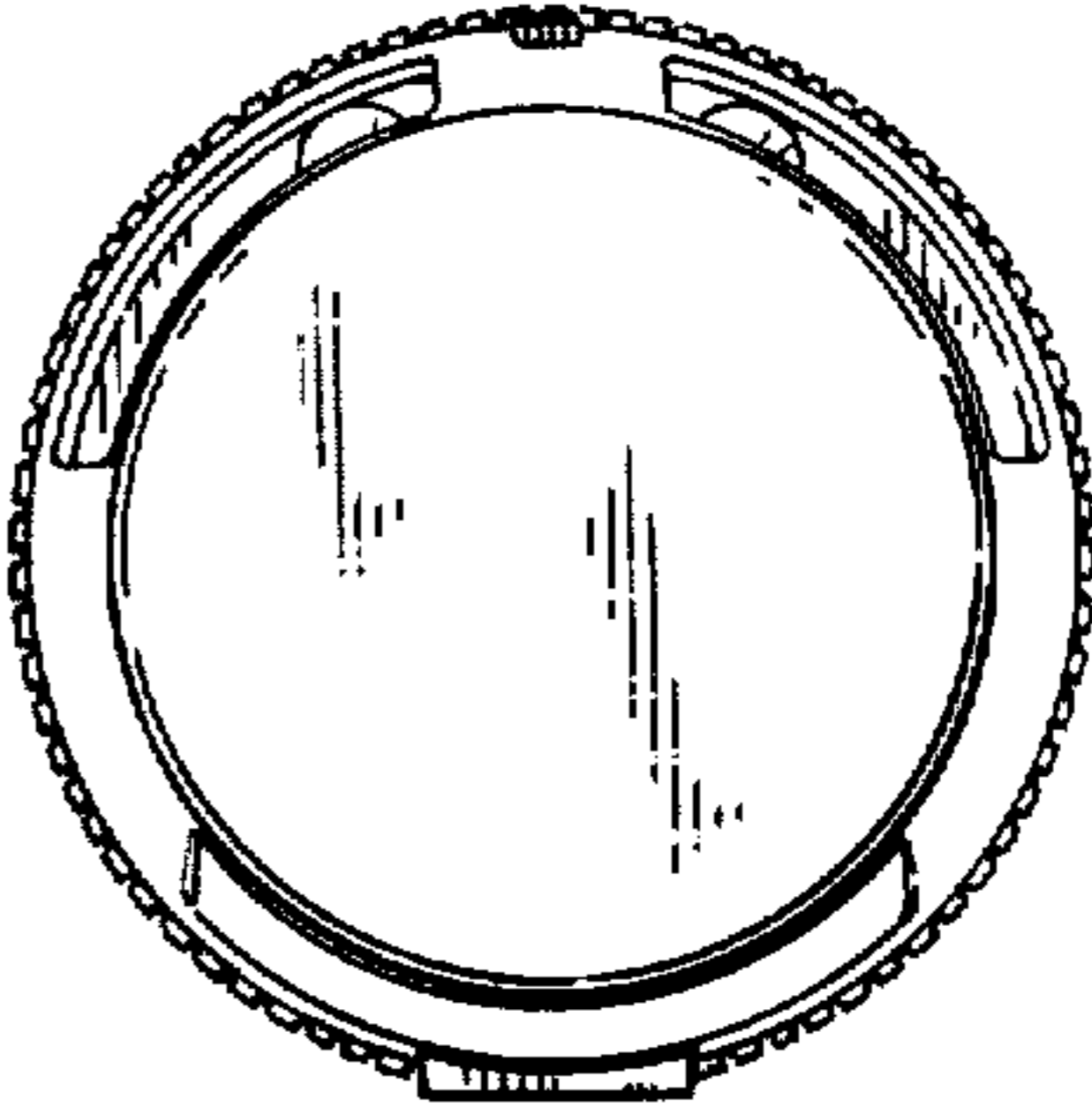


FIG. 5.

