

[54] URINE COLLECTION DEVICE OR THE LIKE

[75] Inventor: Charles A. Lahay, Fayette, Ala.

[73] Assignee: Dart Industries Inc., Northbrook, Ill.

[**] Term: 14 Years

[21] Appl. No.: 131,602

[22] Filed: Mar. 19, 1980

[51] Int. Cl. D24-02

[52] U.S. Cl. D24/59; D24/54; D24/56; D24/58

[58] Field of Search 128/275, 760, 767, 272, 128/DIG. 24, DIG. 25, 761; D24/58, 59, 56, 54; 220/1 R, 461; D3/30, 73; D9/426, 415, 378, 383

[56] References Cited

U.S. PATENT DOCUMENTS

D. 211,839 7/1968 Ericson et al. D24/58

D. 219,429 12/1970 Poppleton et al. D9/426
D. 242,958 1/1977 Manschot D24/58
D. 259,167 5/1981 Daenen D3/73 X
3,683,894 8/1972 Villari 128/767
4,000,649 1/1977 Hanifl 128/762
4,085,755 4/1978 Burrage 128/DIG. 24 X
4,086,925 5/1978 Dodge 128/275 X
4,212,299 7/1980 Yokokoji et al. 128/272

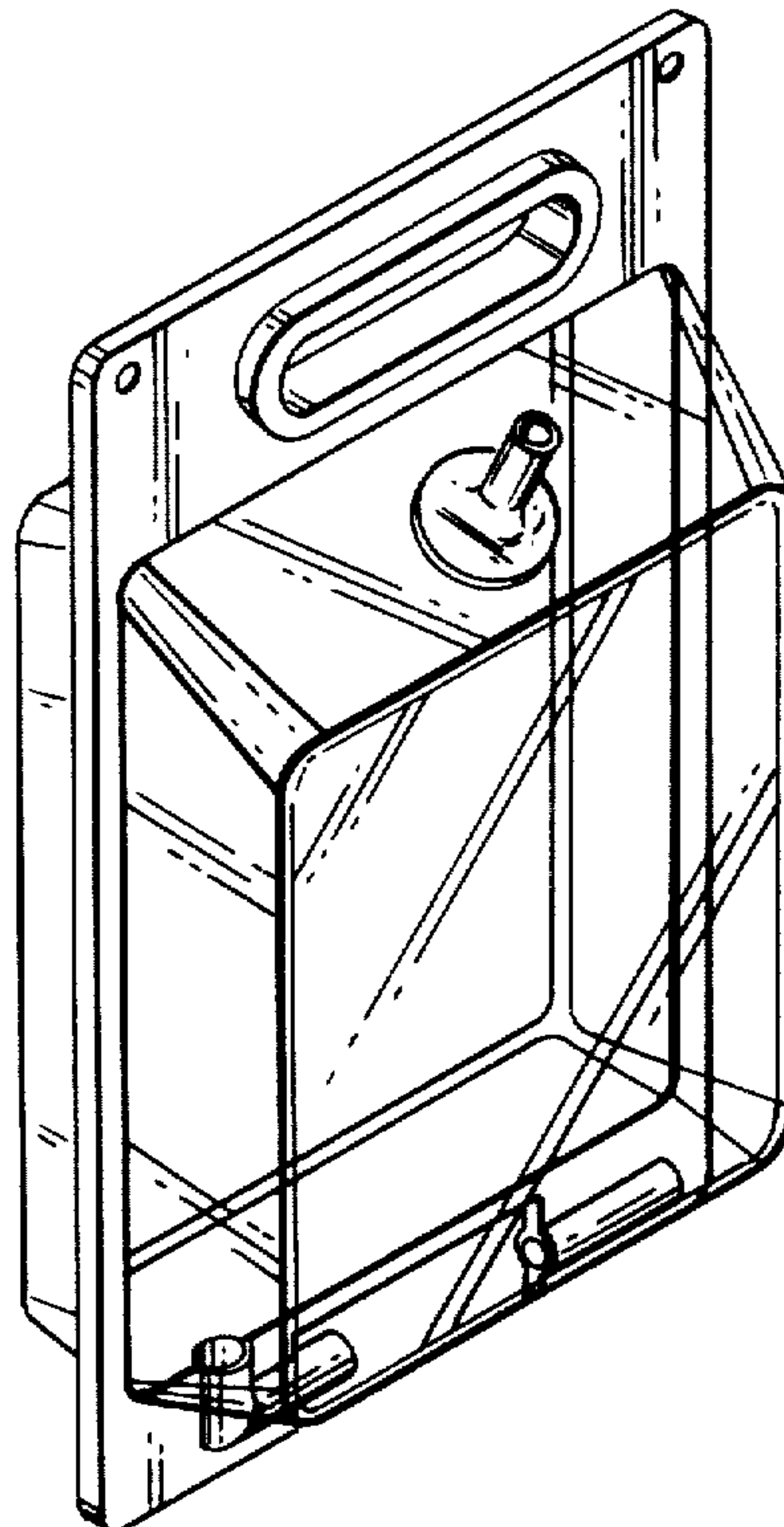
Primary Examiner—Bernard Ansher
Attorney, Agent, or Firm—John A. Doninger

[57] CLAIM

The ornamental design for a urine collection device or the like, substantially as is shown.

DESCRIPTION

FIG. 1 is a top perspective view of a urine collection device showing my new design; FIG. 2 is a side elevational view thereof; FIG. 3 is a front elevational view thereof; FIG. 4 is a rear elevational view thereof; FIG. 5 is a top plan view thereof; and FIG. 6 is a bottom plan view thereof.



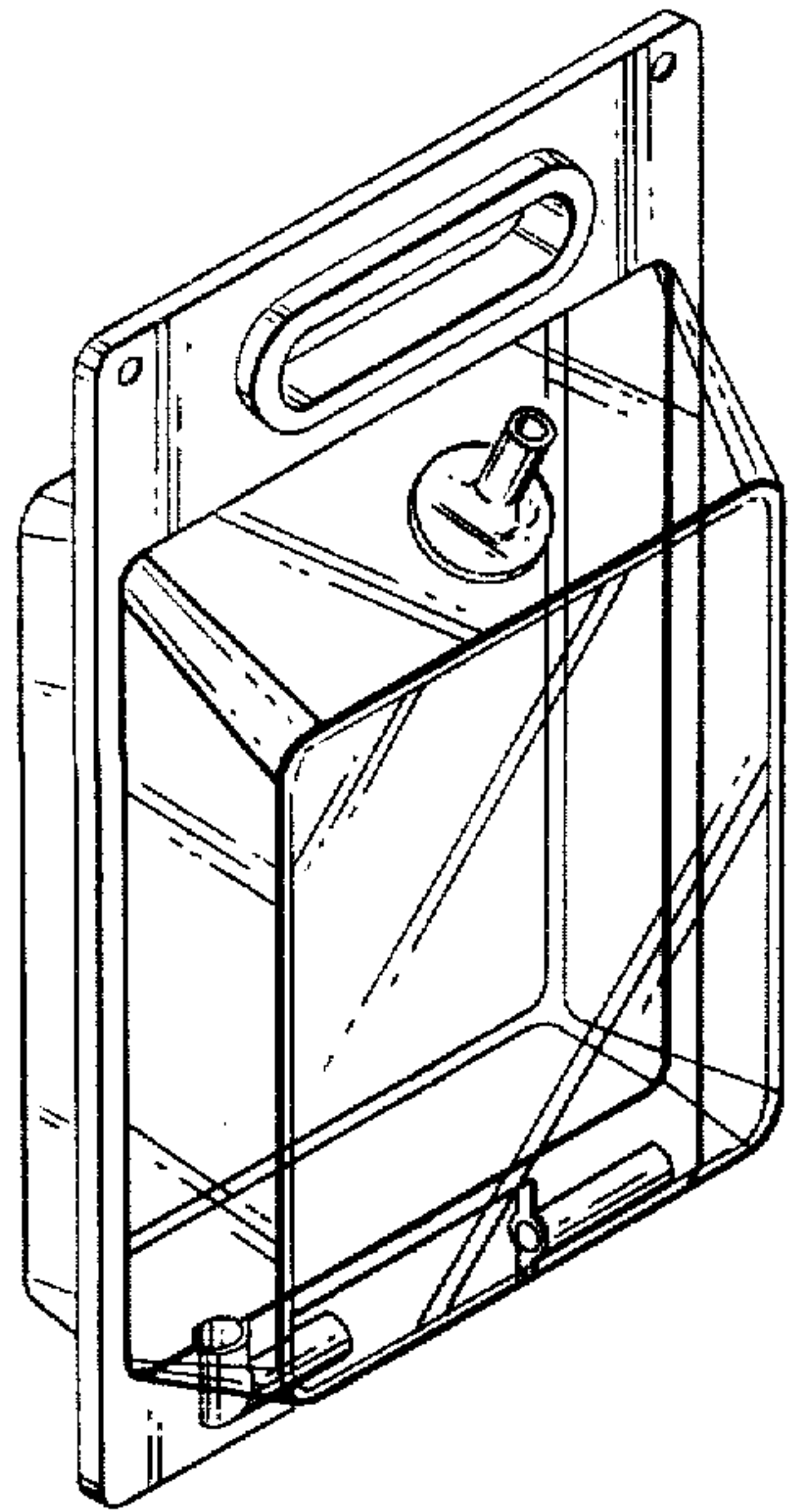


FIG. 1

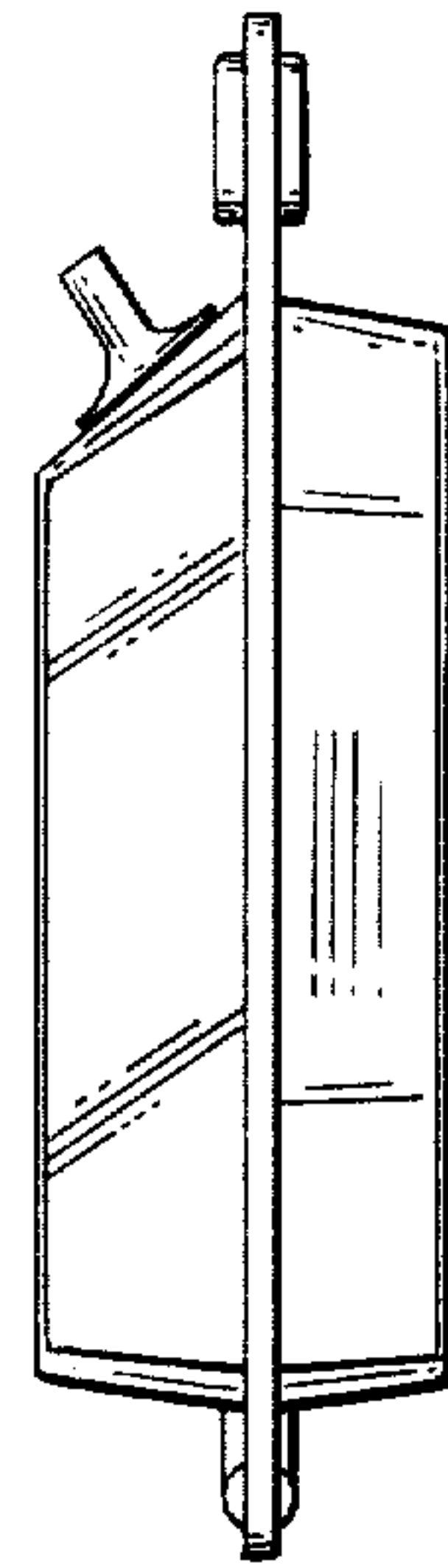


FIG. 2

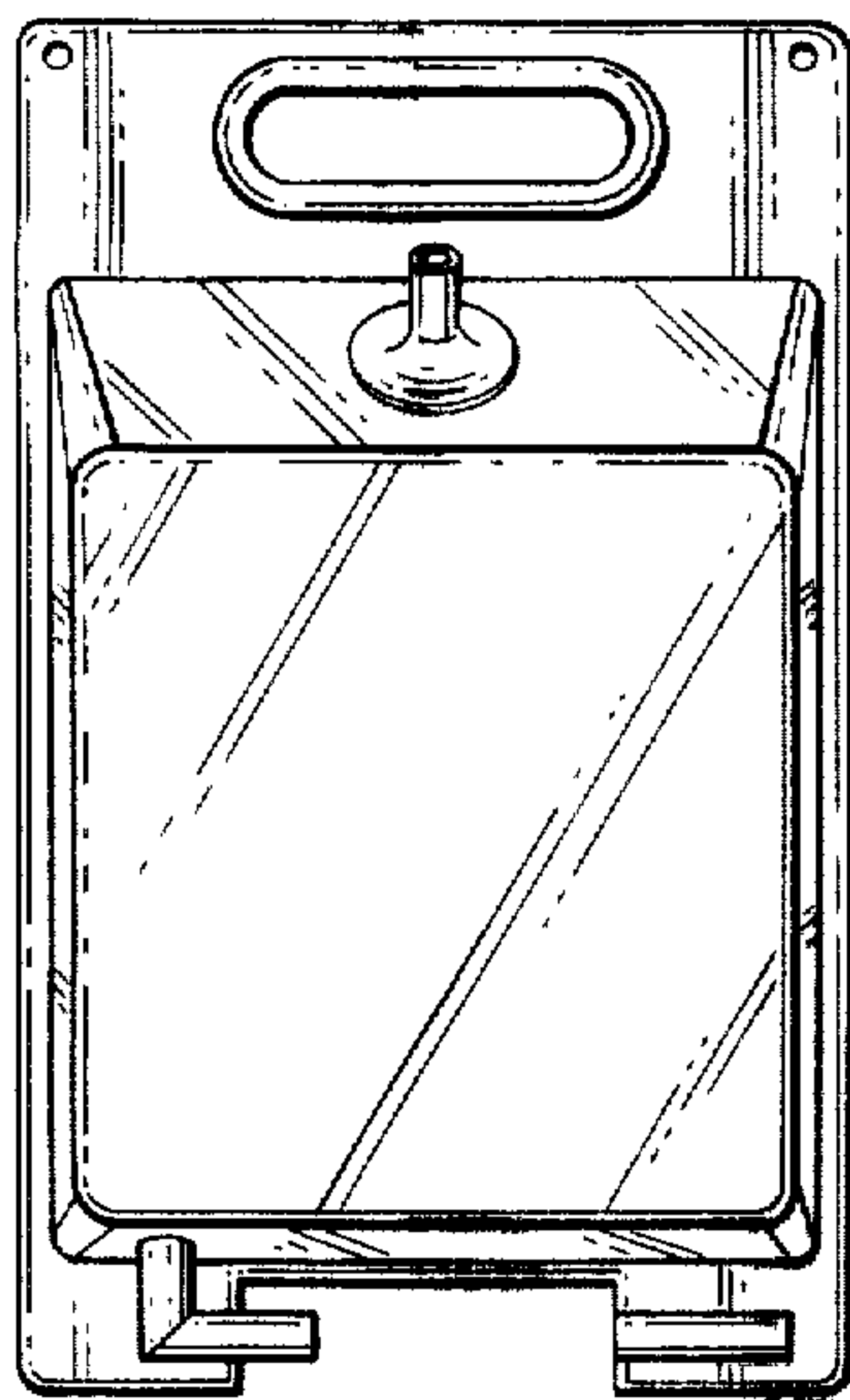


FIG. 3

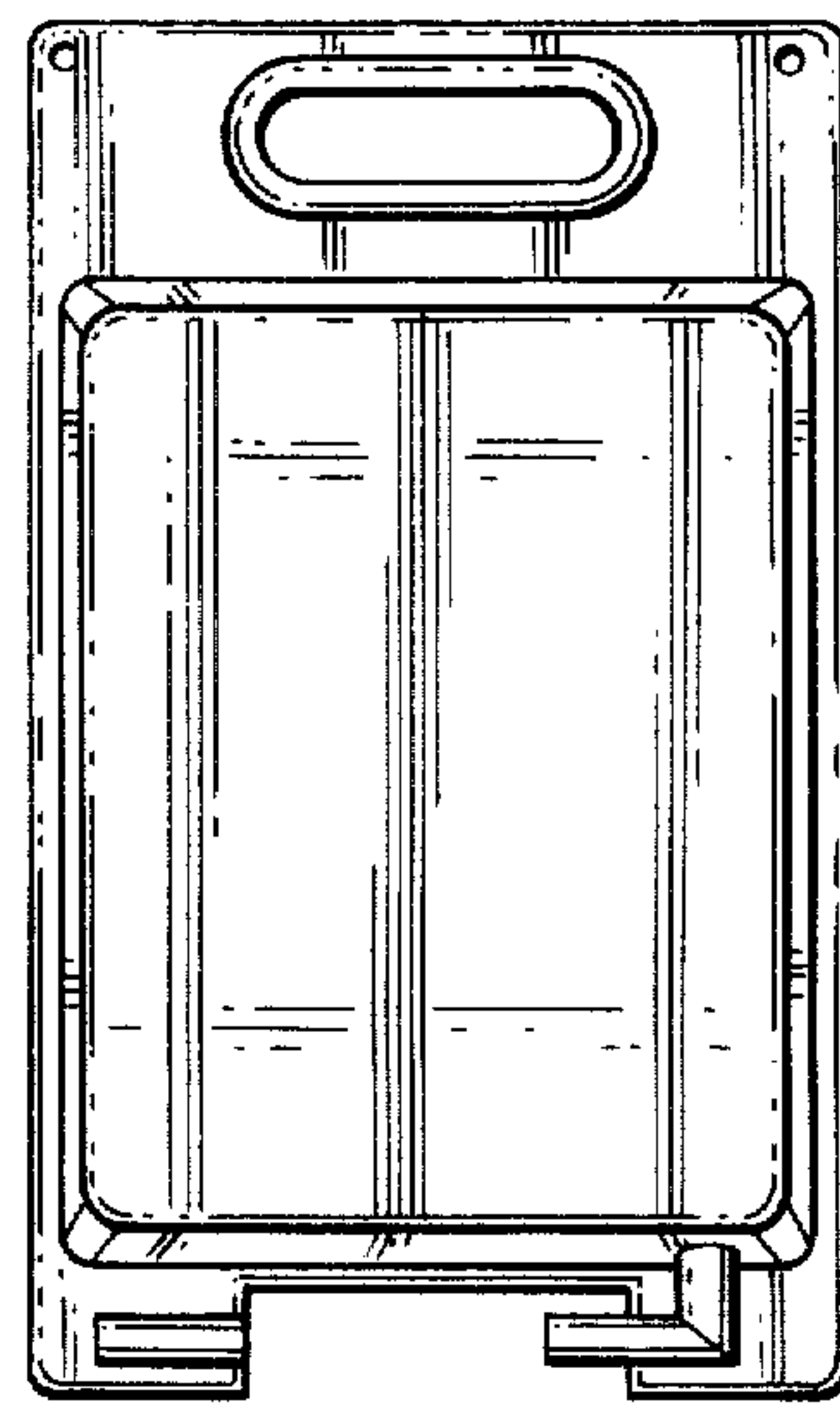


FIG. 4

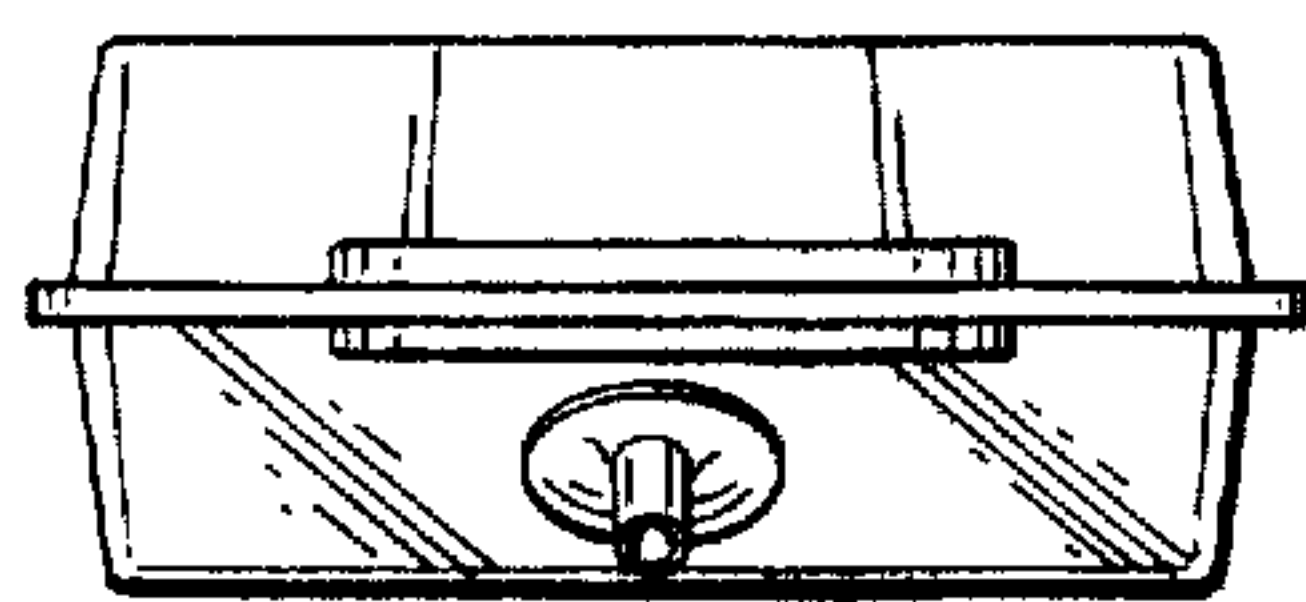


FIG. 5

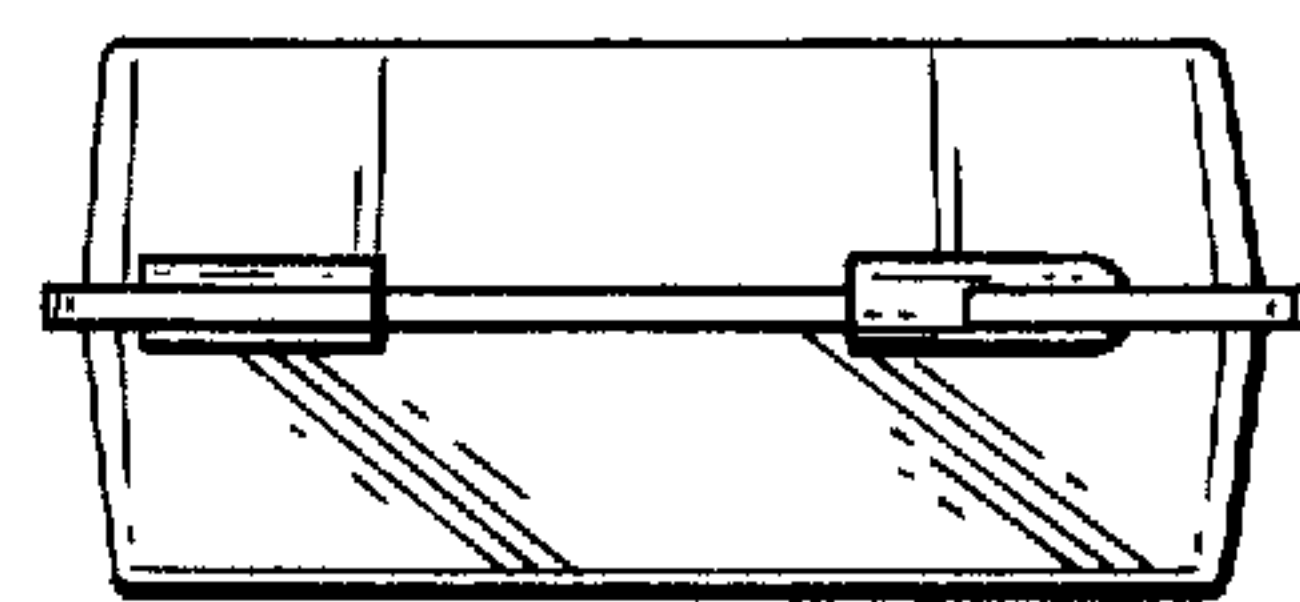


FIG. 6