

[54] SURGICAL DRAIN

[75] Inventors: Gary P. East; Rudolf R. Schulte, both of Santa Barbara, Calif.

[73] Assignee: Pudenz Schulte Medical Research Corp., Santa Barbara, Calif.

[**] Term: 14 Years

[21] Appl. No.: 172,708

[22] Filed: Jul. 28, 1980

[51] Int. Cl. D24-04

[52] U.S. Cl. D24/51; D24/54; D25/74

[58] Field of Search 128/350 R, 350 V, 252, 128/276; D25/74, 78; D24/54, 10, 51

[56] References Cited

U.S. PATENT DOCUMENTS

- D. 241,983 10/1976 Lahay D24/51
- D. 241,984 10/1976 Lahay D24/51
- D. 248,774 8/1978 Vällfors D24/54

- 3,528,427 9/1970 Sheridan 128/350 R
- 4,030,481 6/1977 Hill 128/350 R
- 4,068,664 1/1978 Sharp et al. 128/350 R
- 4,182,343 1/1980 Inaba 128/350 R

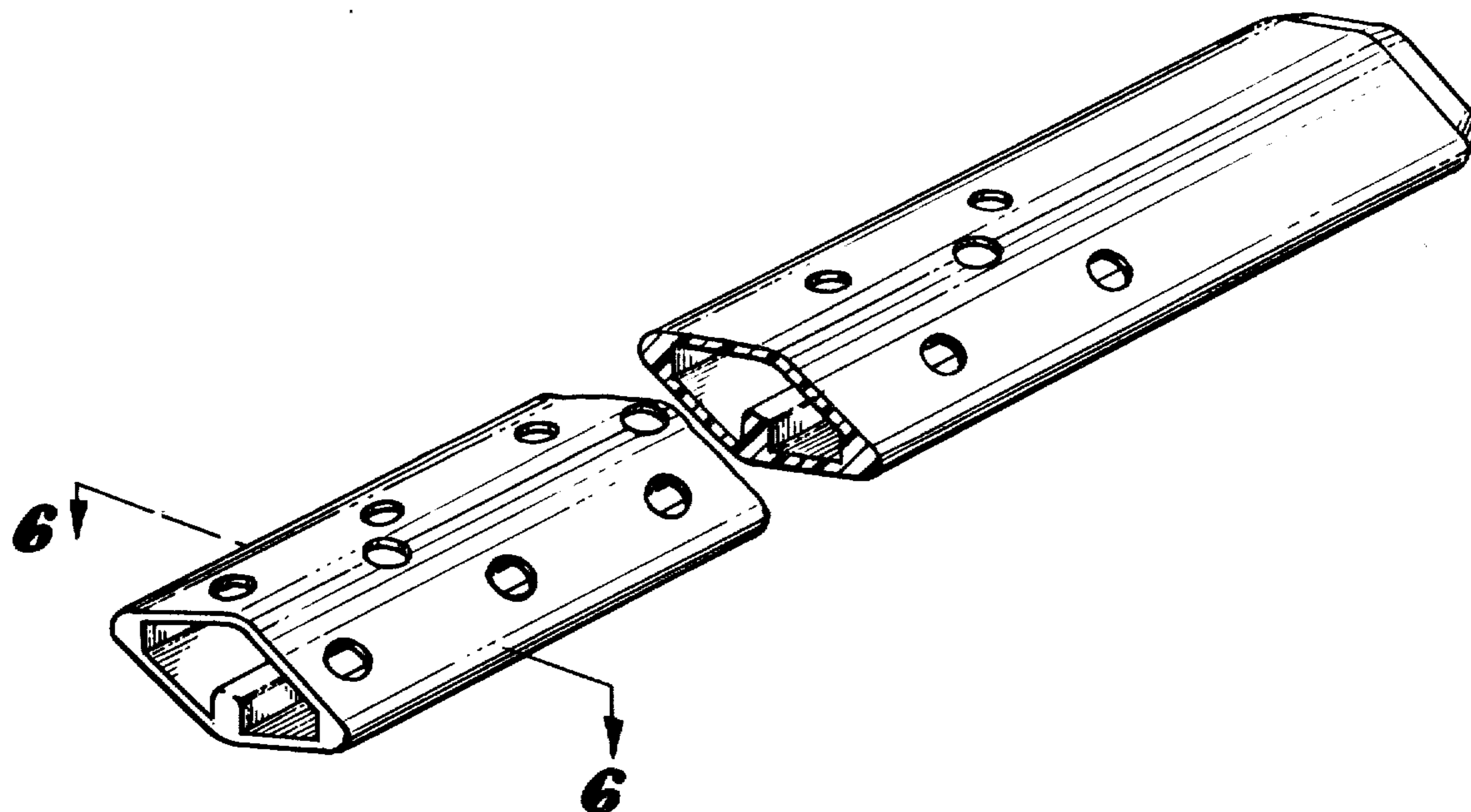
Primary Examiner—Bernard Ansher
Attorney, Agent, or Firm—Fulwider, Patton, Rieber, Lee & Utecht

[57] CLAIM

The ornamental design for a surgical drain, substantially as shown and described.

DESCRIPTION

FIG. 1 is a perspective view broken away and shown in section of a surgical drain, showing our new design; FIG. 2 is a right side elevation thereof; FIG. 3 is a top plan view thereof, broken away to show indeterminate length; FIG. 4 is a fragmentary front elevation thereof; FIG. 5 is a perspective view taken at a reduced scale; and FIG. 6 is an enlarged fragmentary section taken on line 6—6 of FIG. 1.



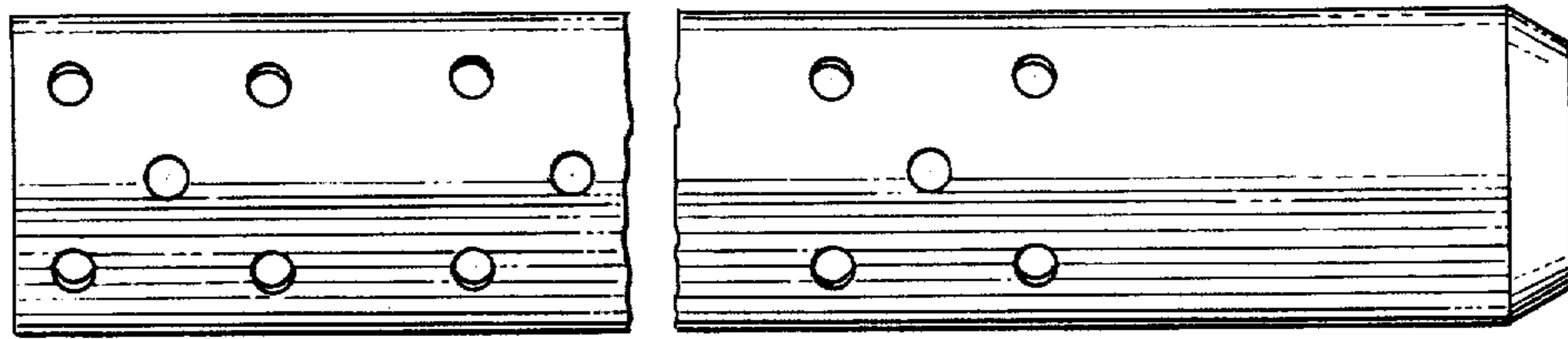
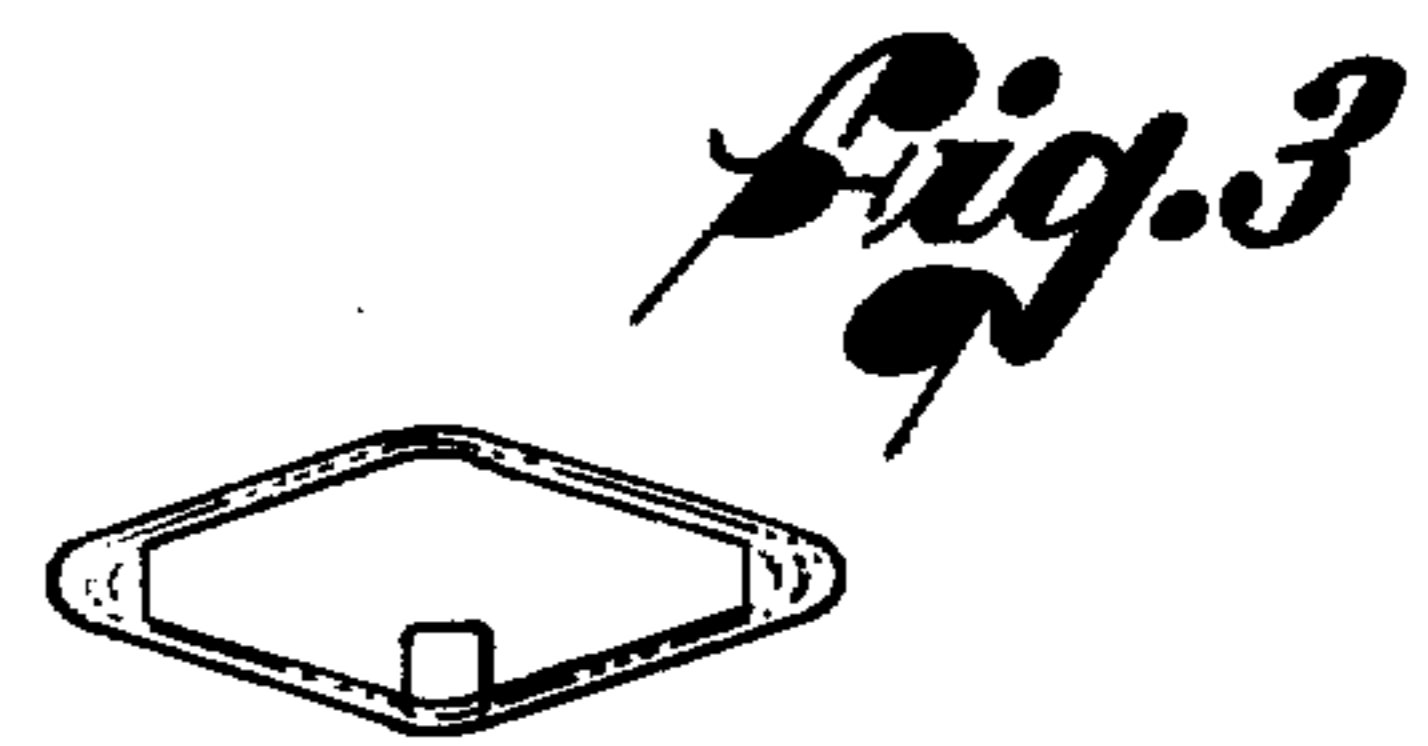
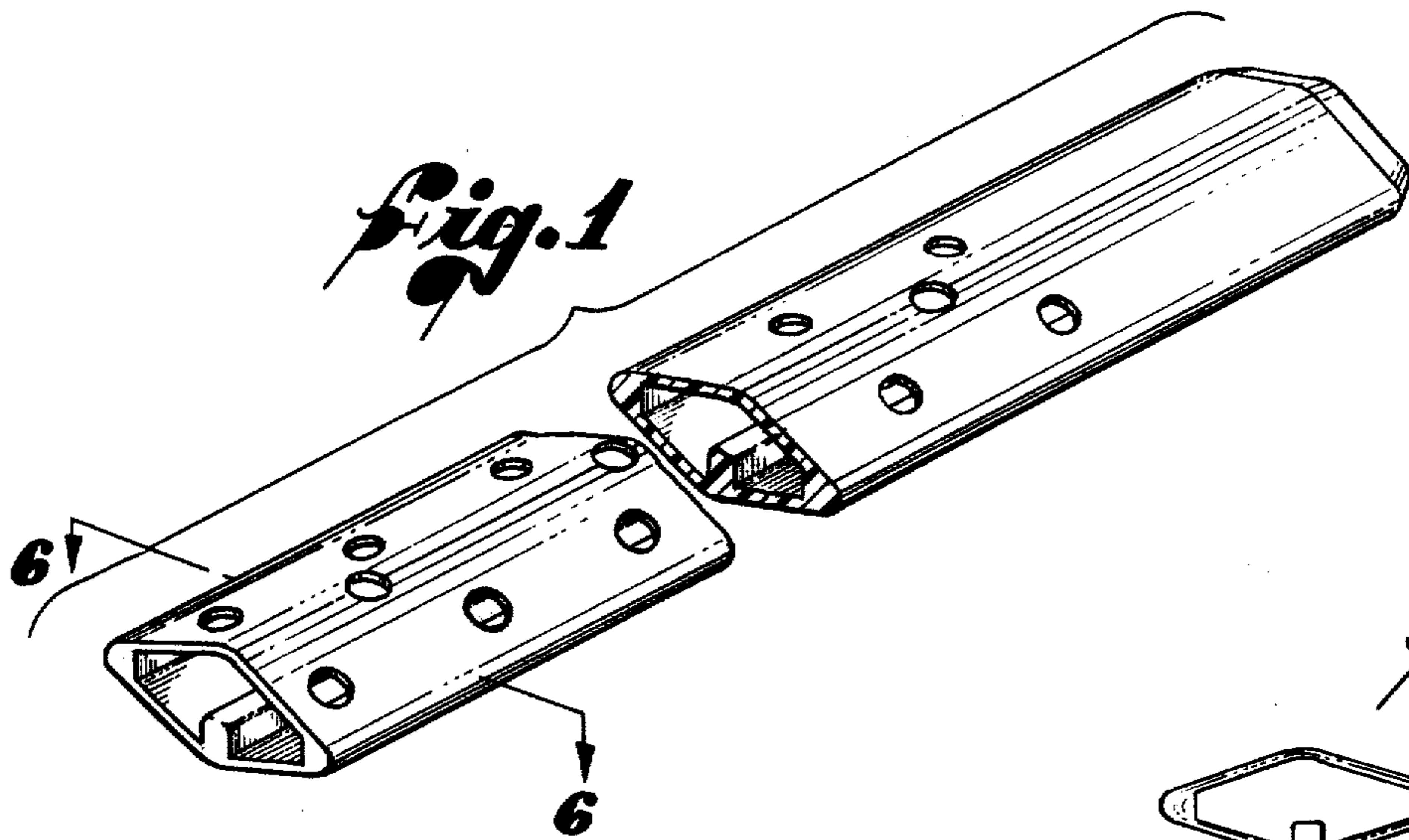


Fig. 3

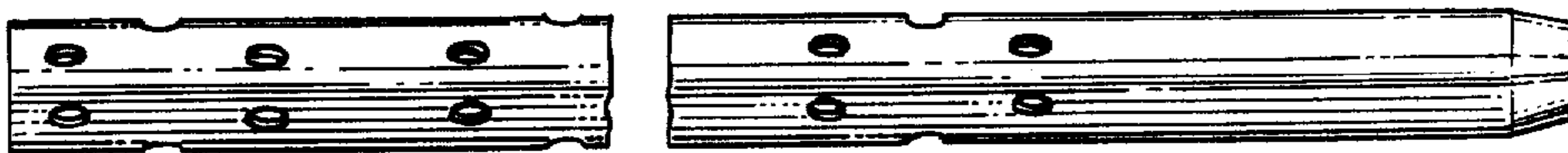


Fig. 4

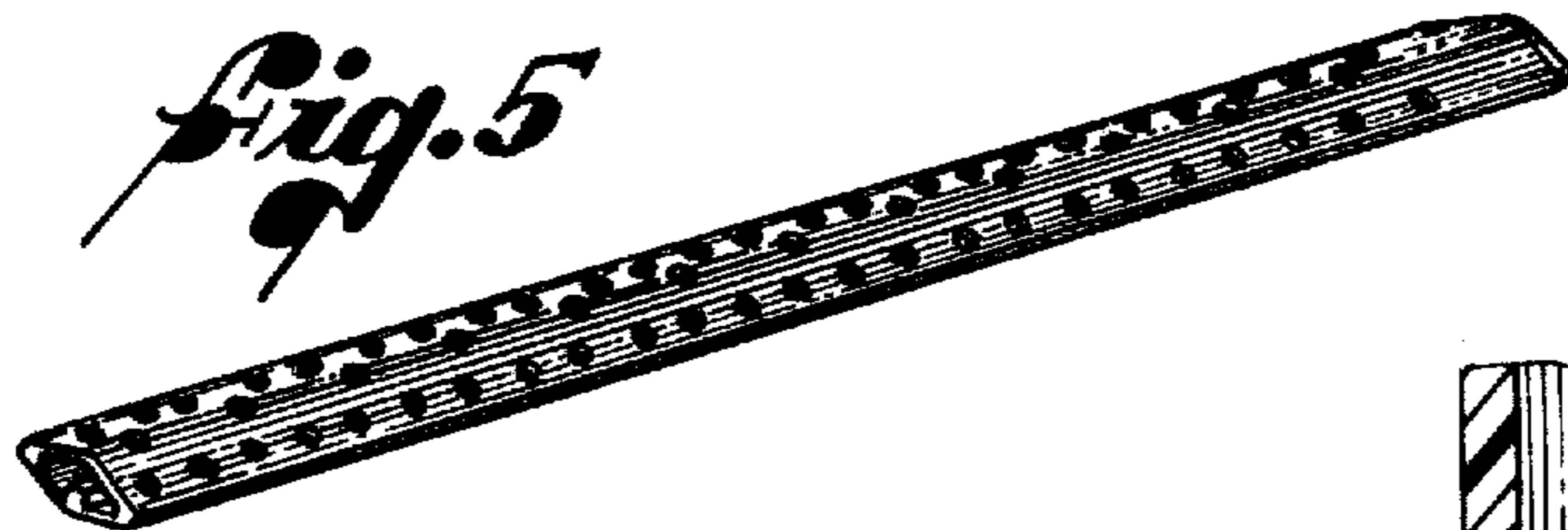


Fig. 6

