

[54] COMBINED SPOUT AND WATER CONTROL HANDLES

[75] Inventor: Stanley M. Paul, Rye, N.Y.

[73] Assignee: American Standard Inc., New York, N.Y.

[**] Term: 14 Years

[21] Appl. No.: 198,387

[22] Filed: Oct. 20, 1980

[51] Int. Cl. D23-01

[52] U.S. Cl. D23/25; D8/308

[58] Field of Search D23/23-32; D8/300, 307, 308, 310-312; 137/801

[56] References Cited

U.S. PATENT DOCUMENTS

- D. 5,963 6/1872 Young D8/310
- D. 224,225 7/1972 Doman D23/28
- D. 237,613 11/1975 Saporito et al. D23/25

OTHER PUBLICATIONS

House & Garden, Feb. 1961, p. 17, "Hexagon Basin Set", and Bamboo Shapes items. Artistic Brass Inc., Brochure, pp. 2 & 3.

Primary Examiner—James R. Largen
Attorney, Agent, or Firm—James J. Salerno, Jr.; Robert G. Crooks; John P. Sinnott

[57] CLAIM

The ornamental design for a combined spout and water control handles, substantially as shown and described.

DESCRIPTION

FIG. 1 is a perspective view taken from the top, front and one side of a combined spout and water control handles showing my new design;
 FIG. 2 is a rear elevational view thereof;
 FIG. 3 is a perspective view taken from the top, front and one side of a modified form of the combined spout and water control handles shown in FIG. 1;
 FIG. 4 is a rear elevational view of FIG. 3;
 FIG. 5 is a perspective view taken from the top, front and one side of one of the handles shown in FIG. 1;
 FIG. 6 is a top plan view of FIG. 5;
 FIG. 7 is a side elevational view of FIG. 5;
 FIG. 8 is a perspective view taken from the top, front and one side of one of the handles shown in FIG. 3;
 FIG. 9 is a top plan view of FIG. 8; and
 FIG. 10 is a side elevational view of FIG. 8.
 The fragmentary broken line representation of a portion of a lavatory in FIGS. 1 through 4 is for purposes of illustration.

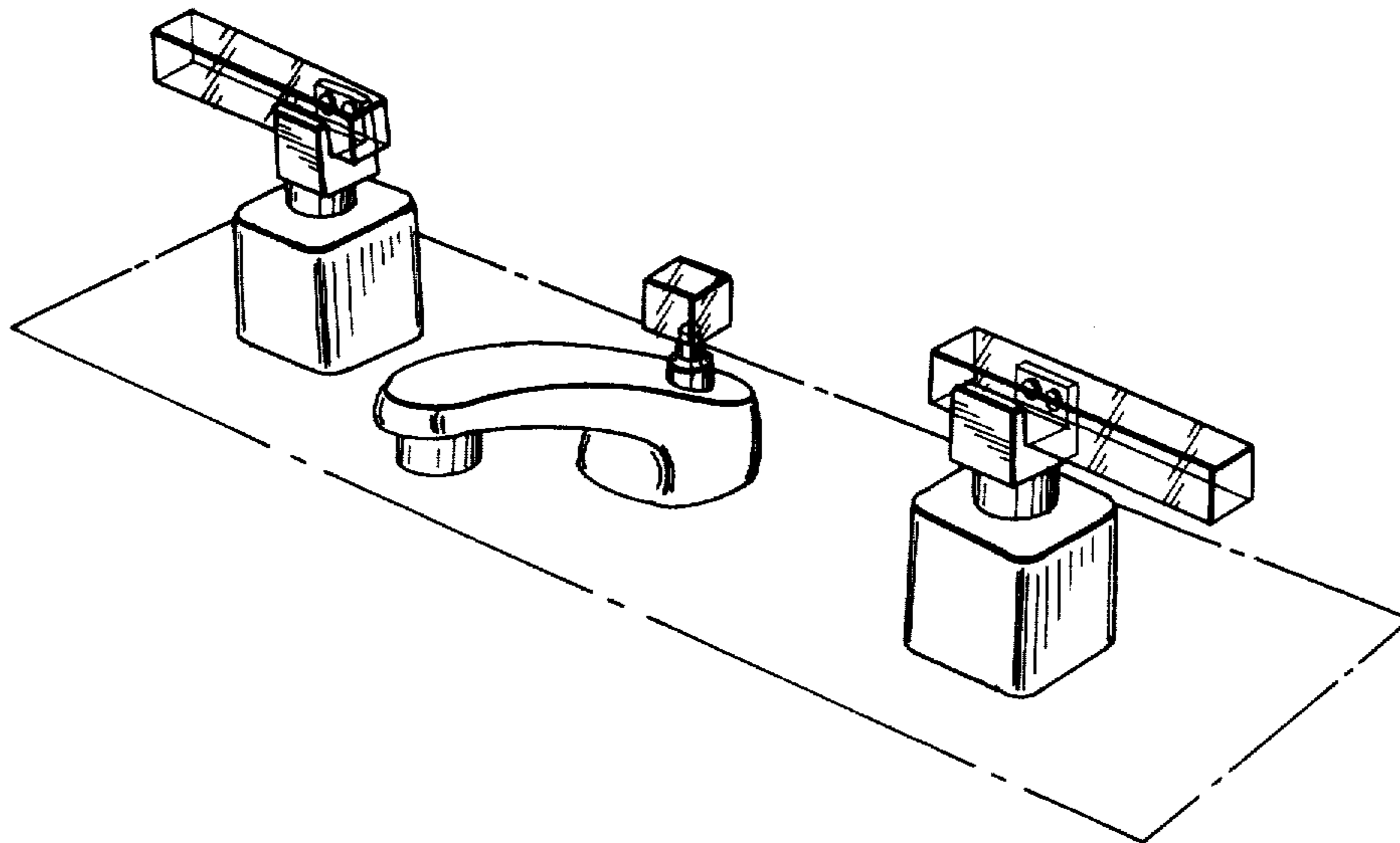


FIG. 1

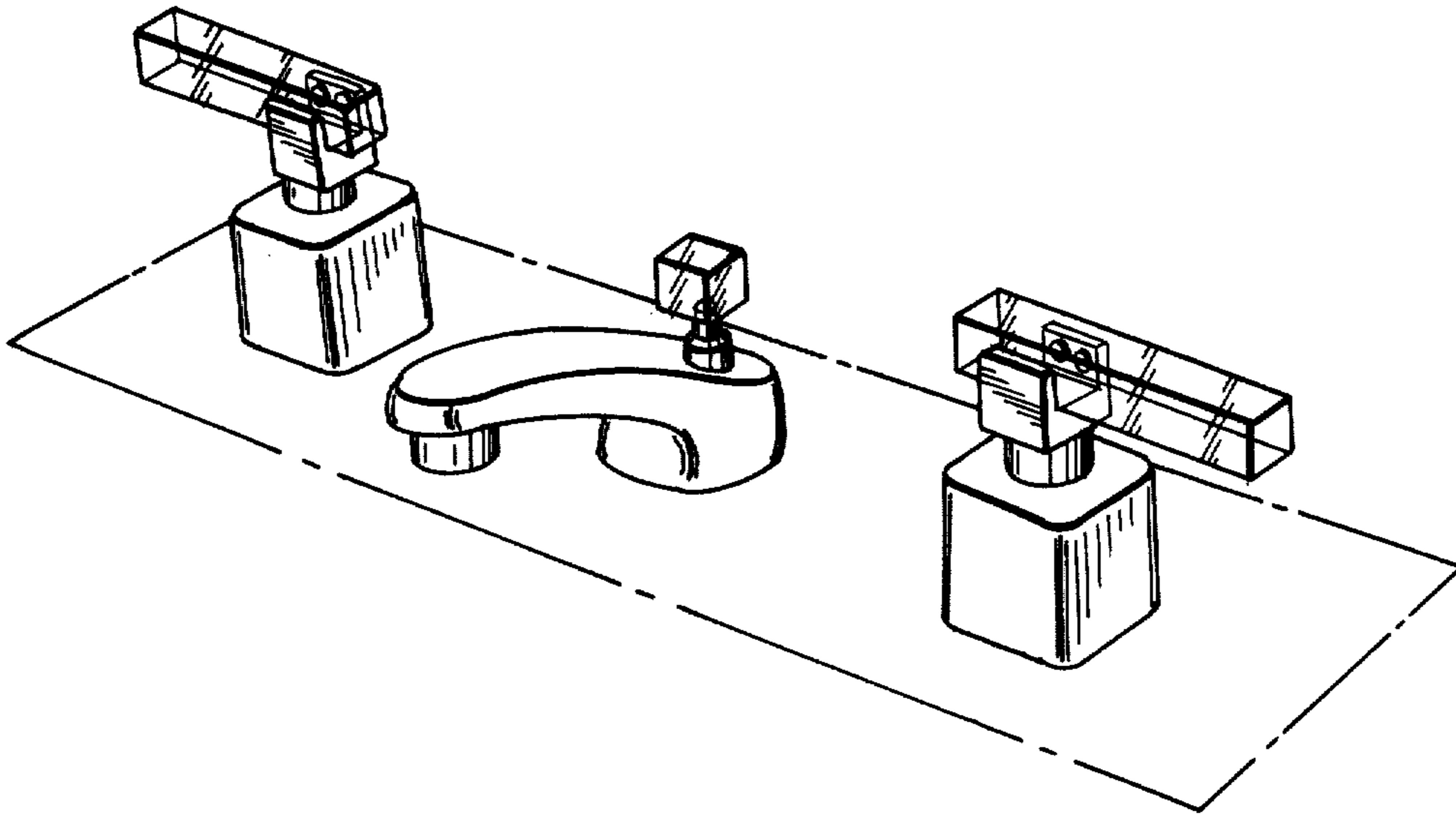


FIG. 2

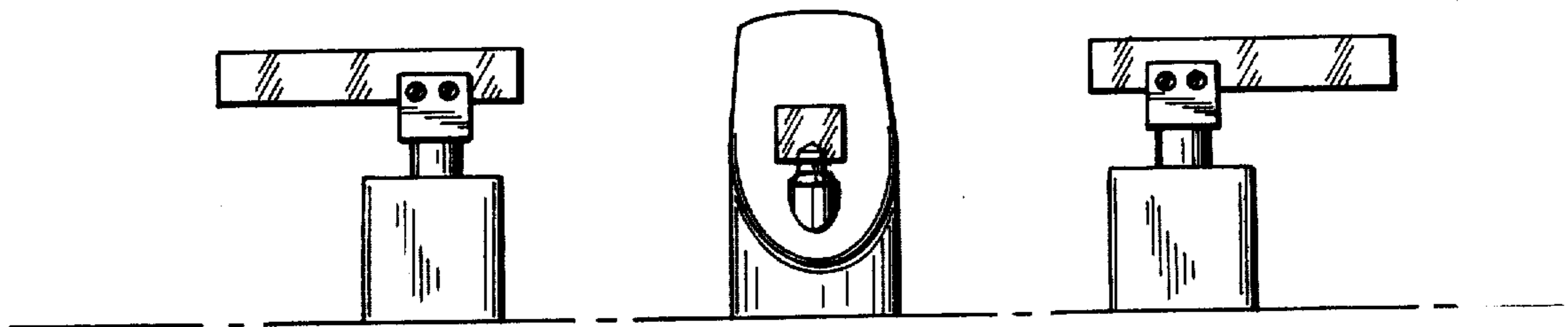


FIG. 3

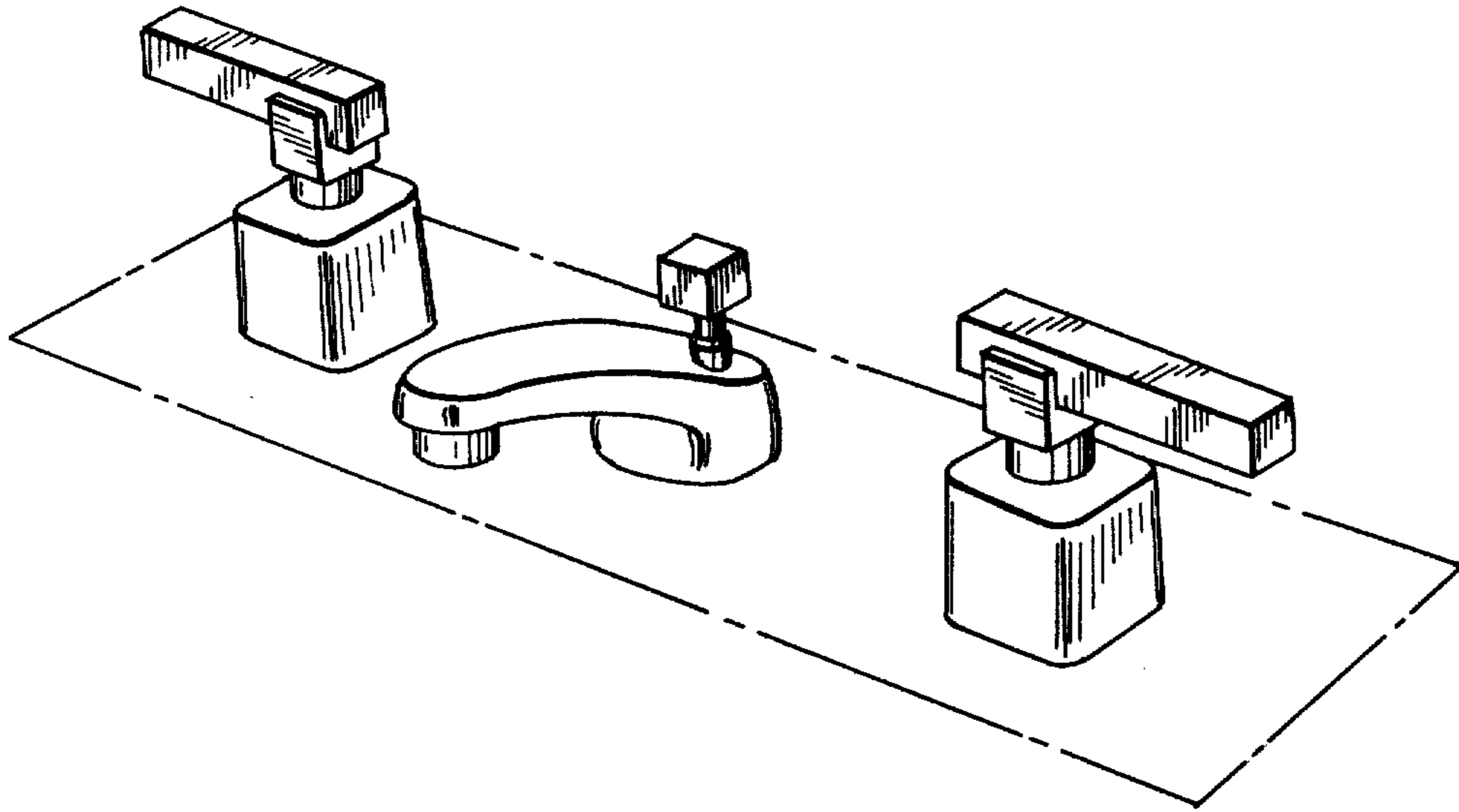


FIG. 4

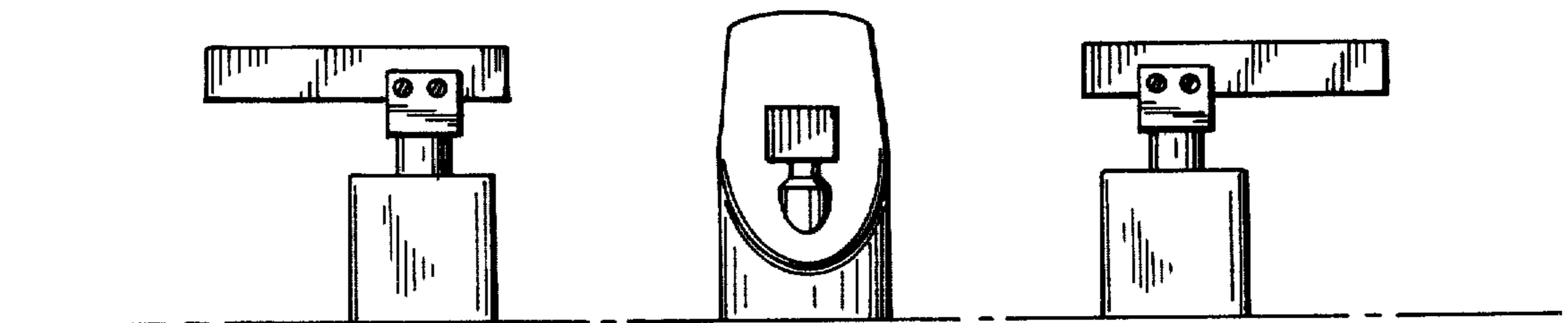


FIG. 5

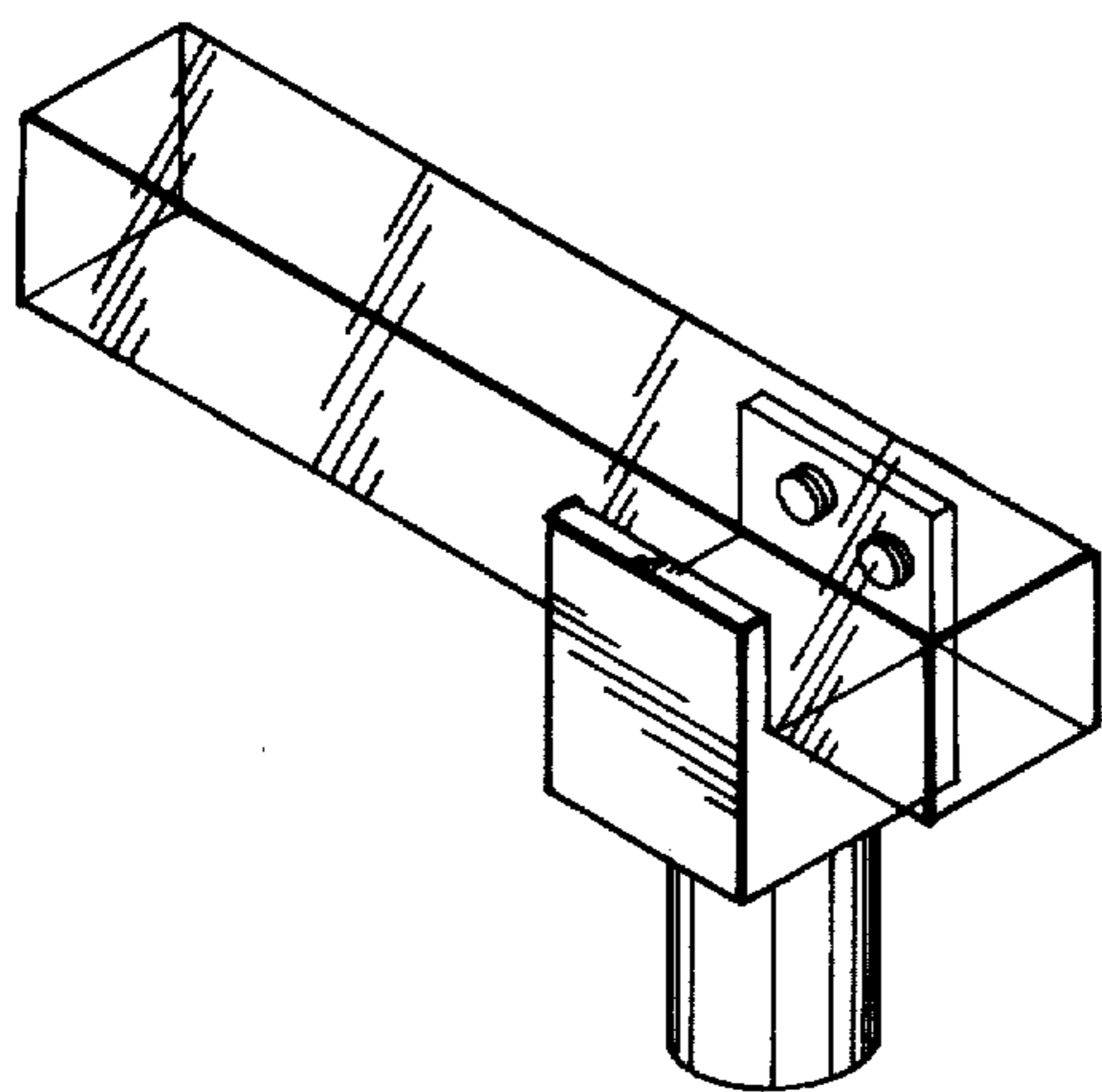


FIG. 8

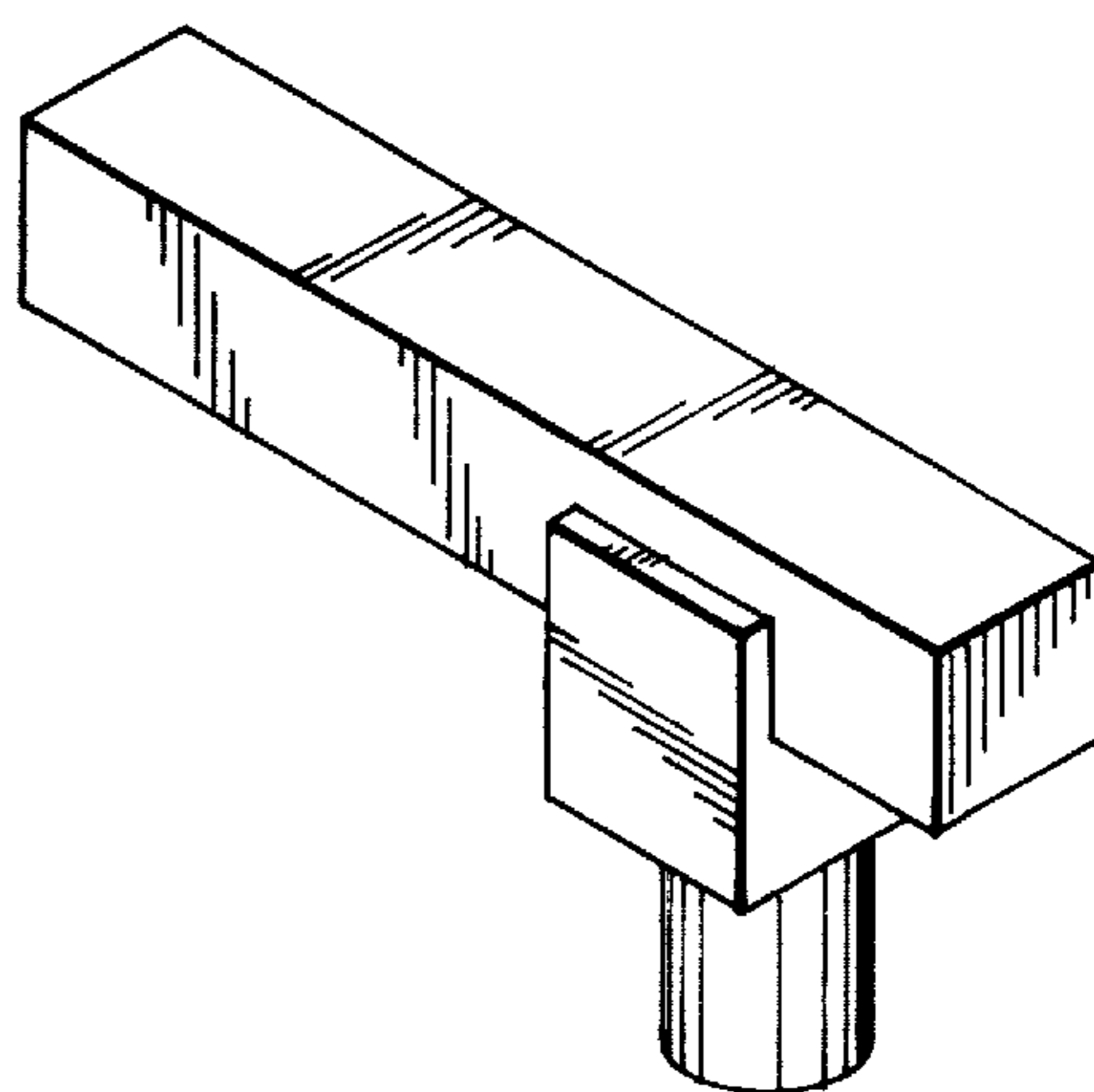


FIG. 6

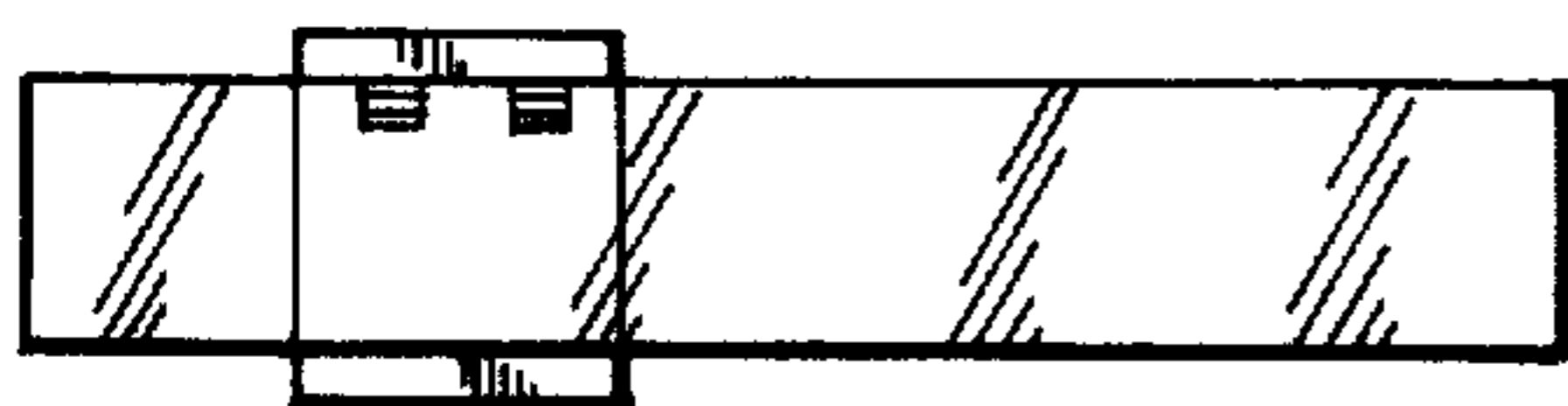


FIG. 9

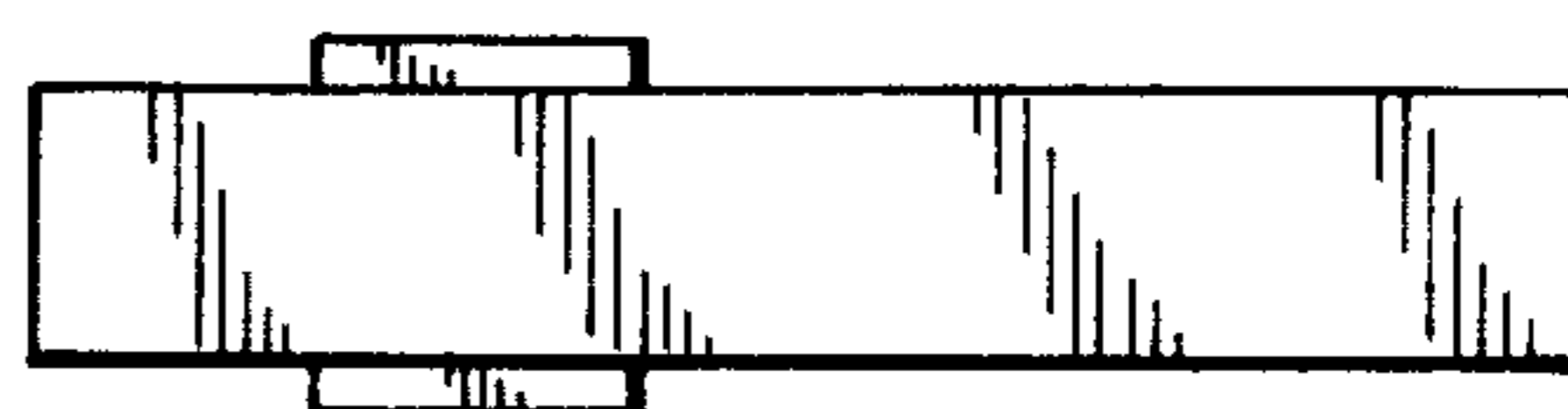


FIG. 7

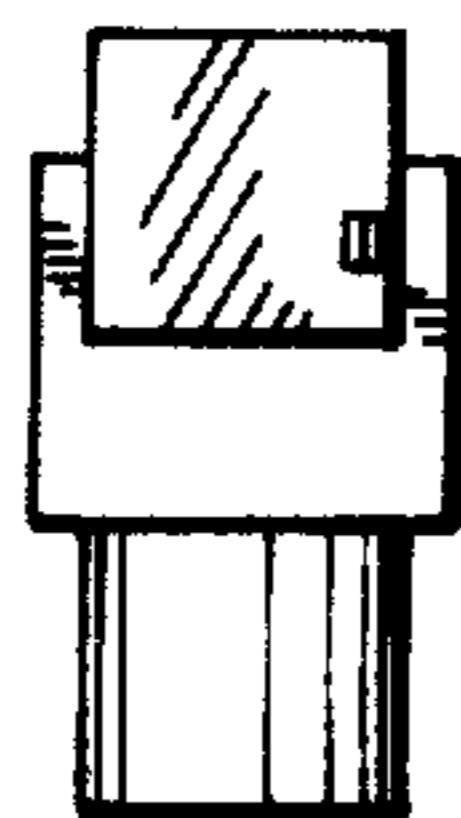


FIG. 10

