

[54] **TOY AIRPLANE**

[75] **Inventor:** Larry R. Nagode, East Aurora, N.Y.

[73] **Assignee:** The Quaker Oats Company, Chicago, Ill.

[**] **Term:** 14 Years

[21] **Appl. No.:** 224,618

[22] **Filed:** Jan. 12, 1981

[51] **Int. Cl.** D21-01

[52] **U.S. Cl.** D21/90

[58] **Field of Search** D21/87, 90, 177;
46/76 R, 77, 78

[56] **References Cited**

U.S. PATENT DOCUMENTS

- D. 234,212 1/1975 Morin et al. D21/87
D. 255,911 7/1980 Theodore D21/90

1,985,656 12/1934 Goodspeed D21/87

OTHER PUBLICATIONS

Just for Kids, Holiday Catalog, 1979, p. 21, Toy Airplane.

Primary Examiner—Charles A. Rademaker
Attorney, Agent, or Firm—Cumpston & Shaw

[57] **CLAIM**

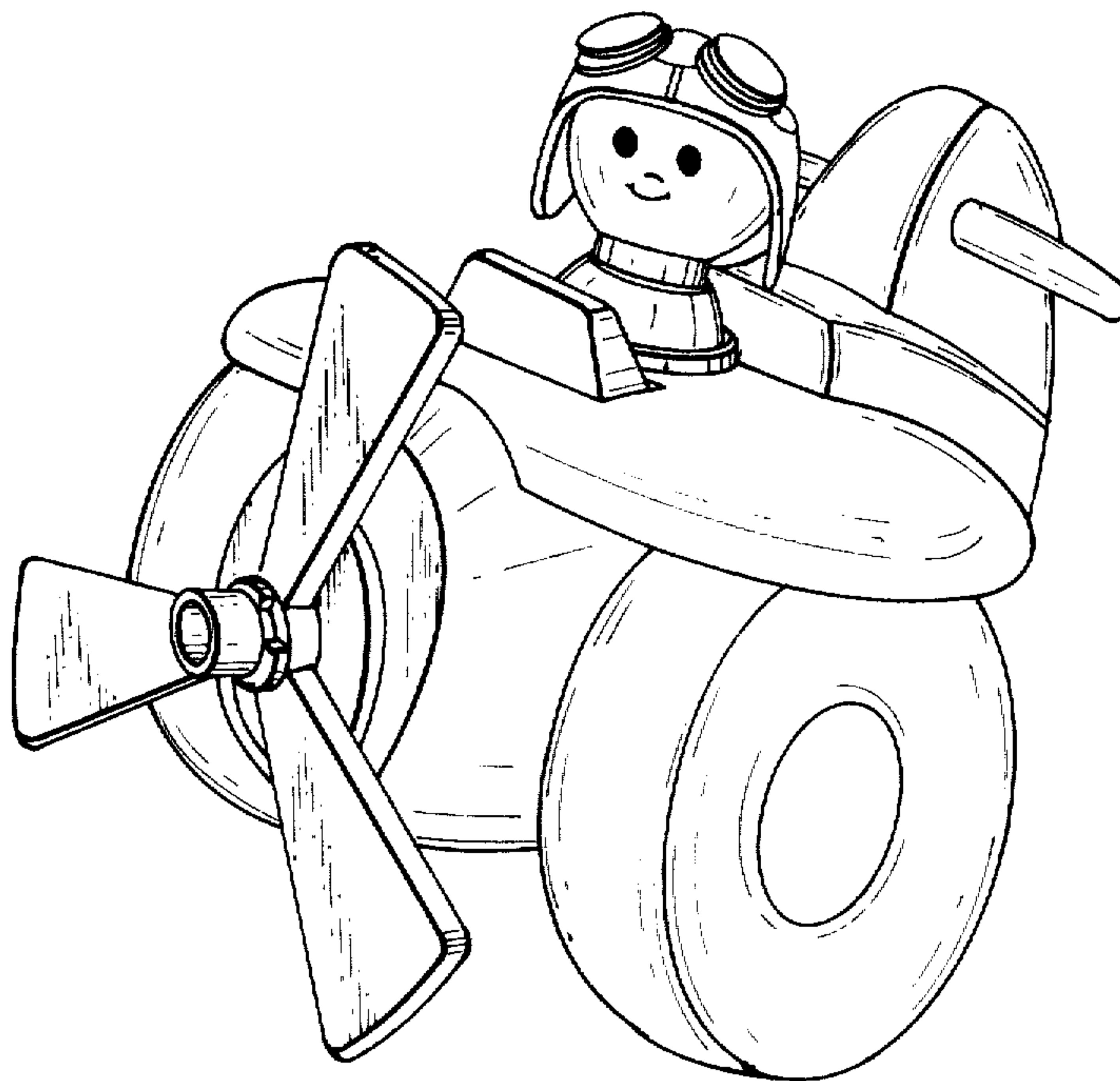
The ornamental design for a toy airplane, substantially as shown.

DESCRIPTION

FIG. 1 is a front perspective view of a toy airplane showing my new design;

FIG. 2 is a right-side elevational view thereof shown on an enlarged scale, the right side being substantially a mirror image;

FIG. 3 is a rear elevational view thereof; and
FIG. 4 is a bottom plan view thereof.



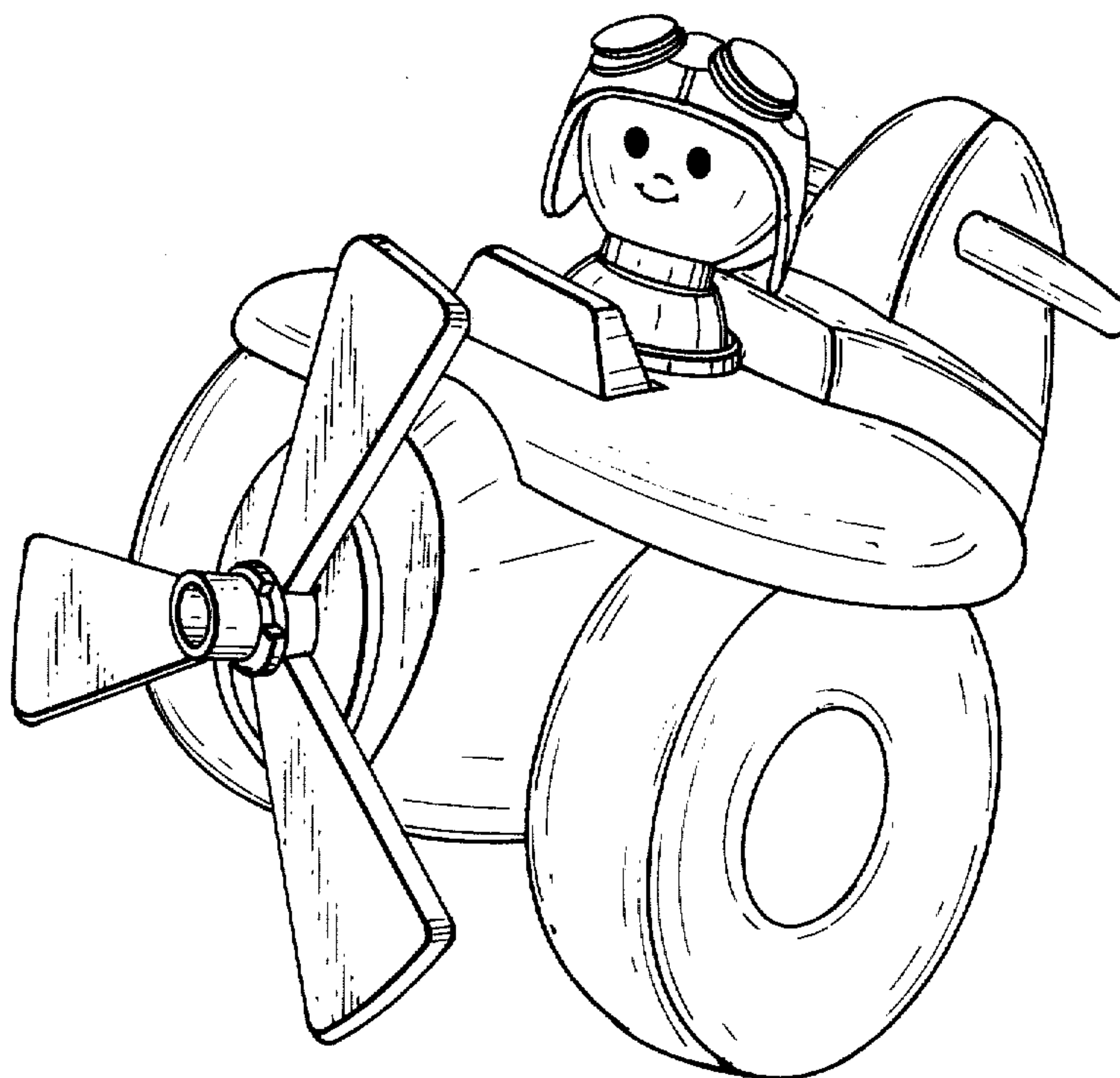
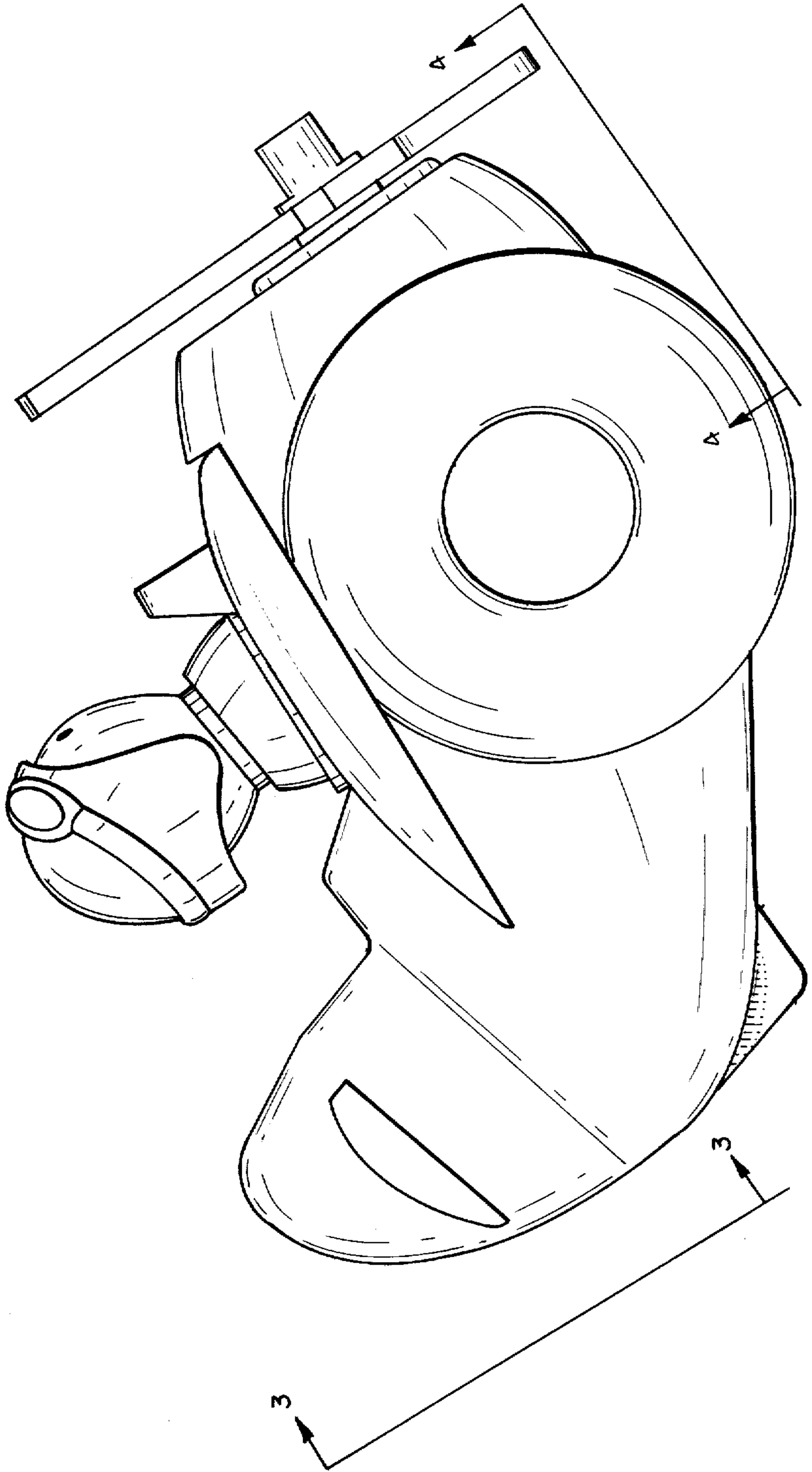


FIG. 1

FIG. 2



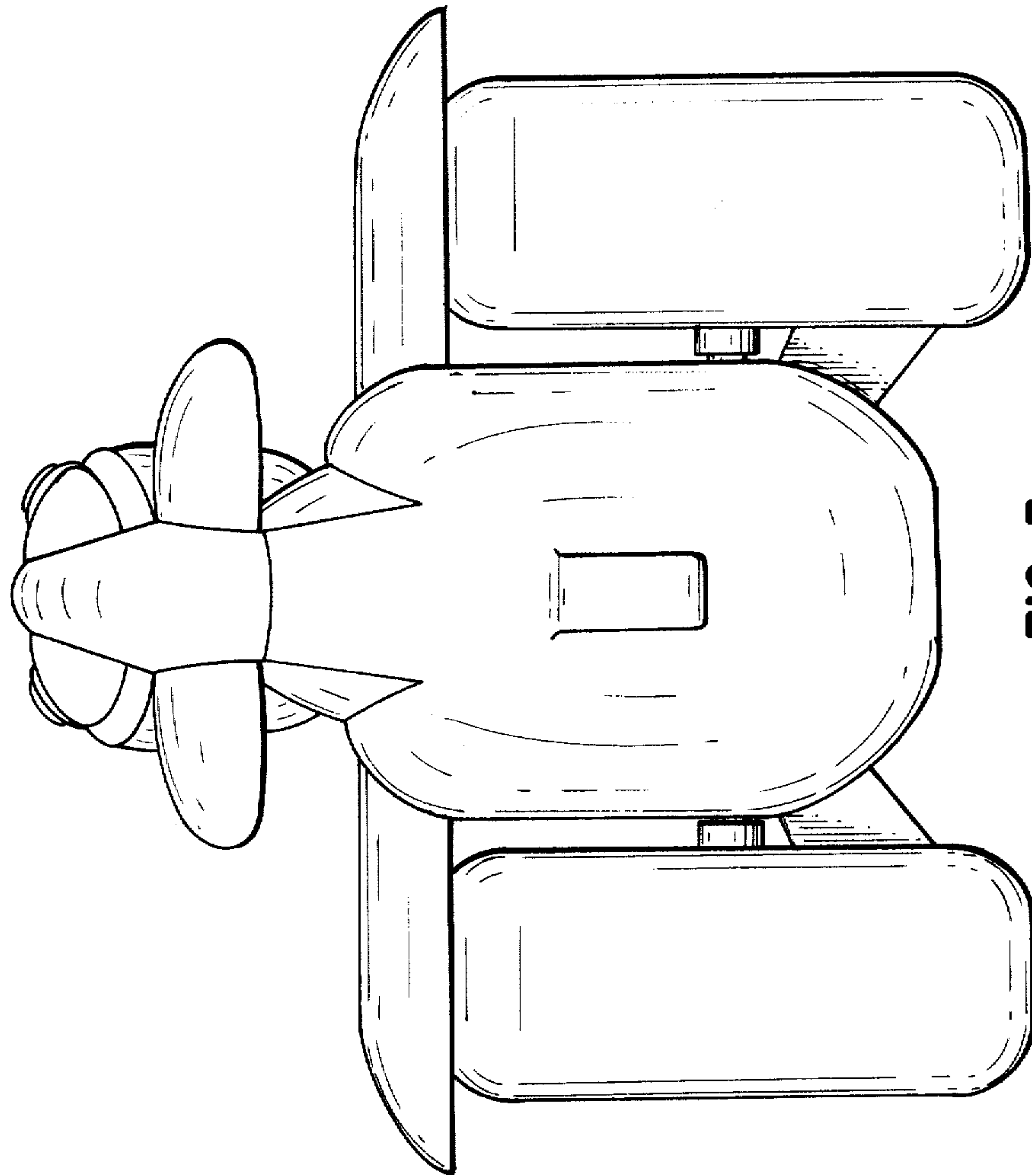


FIG. 3

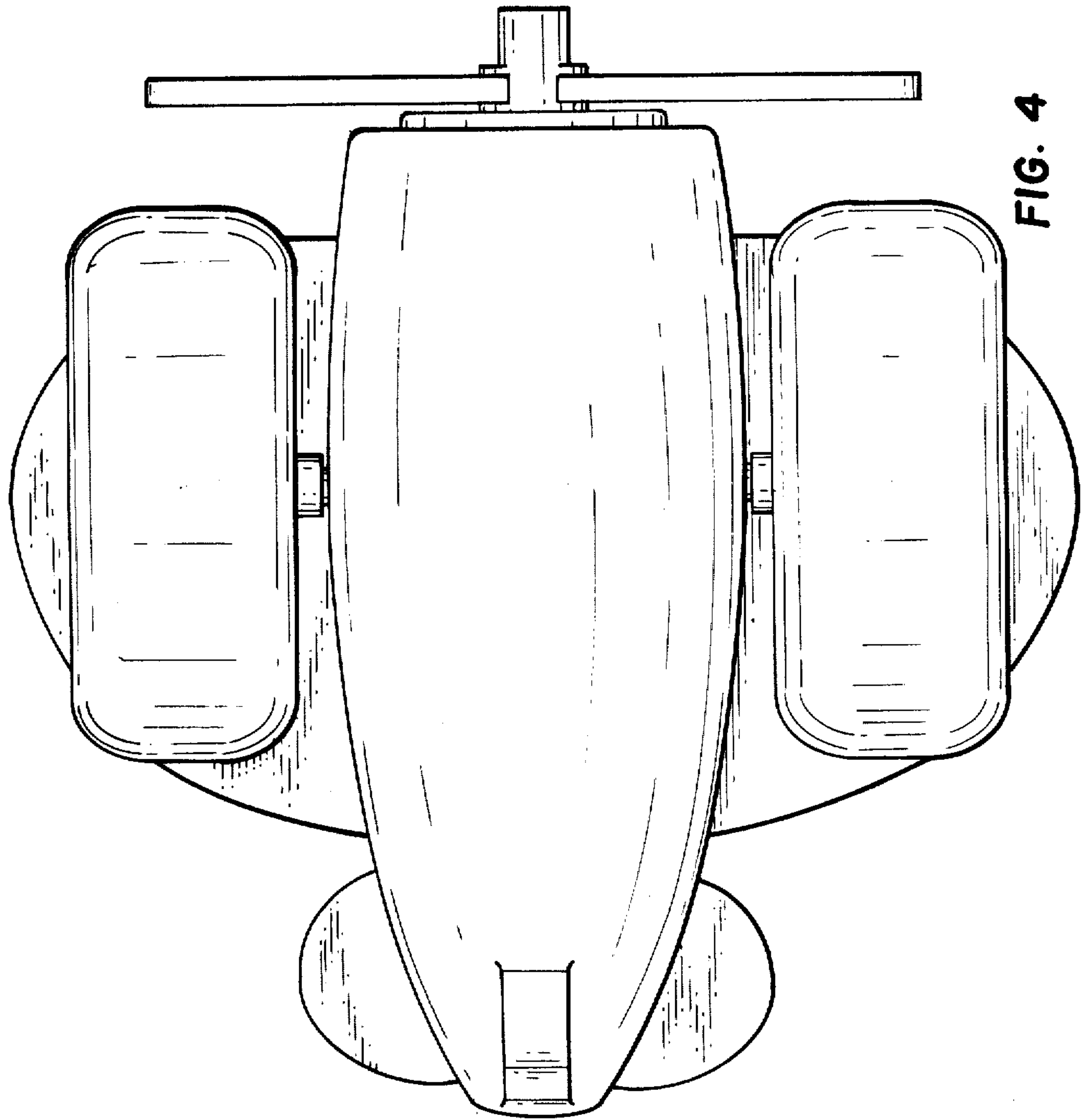


FIG. 4