

[54] DRAWING INSTRUMENT

[75] Inventors: David Bredemeier, Rehoboth; William P. Richardson, South Easton, both of Mass.; Andre Cassagnes, Vitry sur Seine, France

[73] Assignee: Hasbro Industries, Inc., Pawtucket, R.I.

[**] Term: 14 Years

[21] Appl. No.: 144,996

[22] Filed: Apr. 28, 1980

[51] Int. Cl. D21-01

[52] U.S. Cl. D21/59; D19/37

[58] Field of Search D21/59; D10/65; D19/35, D19/37, 40, 41

[56] References Cited

U.S. PATENT DOCUMENTS

D. 214,509 6/1969 Fisher D19/37
D. 250,177 11/1978 Hulen D19/36

OTHER PUBLICATIONS

Sears Xmas, Catalog, 1979, p. 556, "Dial-o-Graphic", #2.

Sears Xmas Catalog, 1979, p. 556, "Skedoole", Item #2.

Primary Examiner—Charles A. Rademaker
Attorney, Agent, or Firm—Salter & Michaelson

[57] CLAIM

The ornamental design for a drawing instrument, as shown and described.

DESCRIPTION

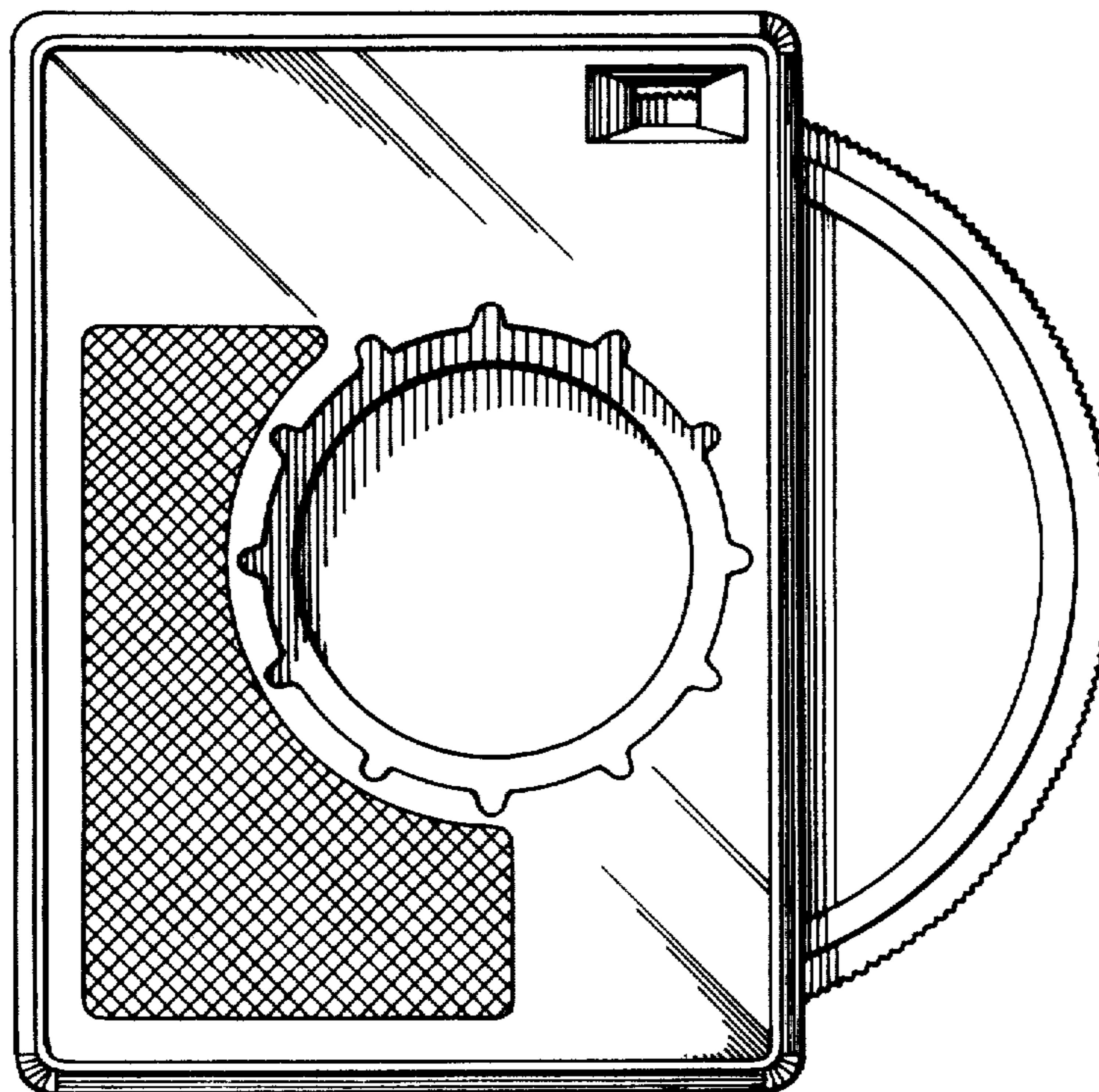
FIG. 1 is a top plan view of the drawing instrument showing our new design;

FIG. 2 is a right edge elevational view thereof;

FIG. 3 is a left edge elevational view thereof;

FIG. 4 is a bottom plan view thereof; and

FIG. 5 is a front elevational view thereof, the side opposite being substantially a mirror image.



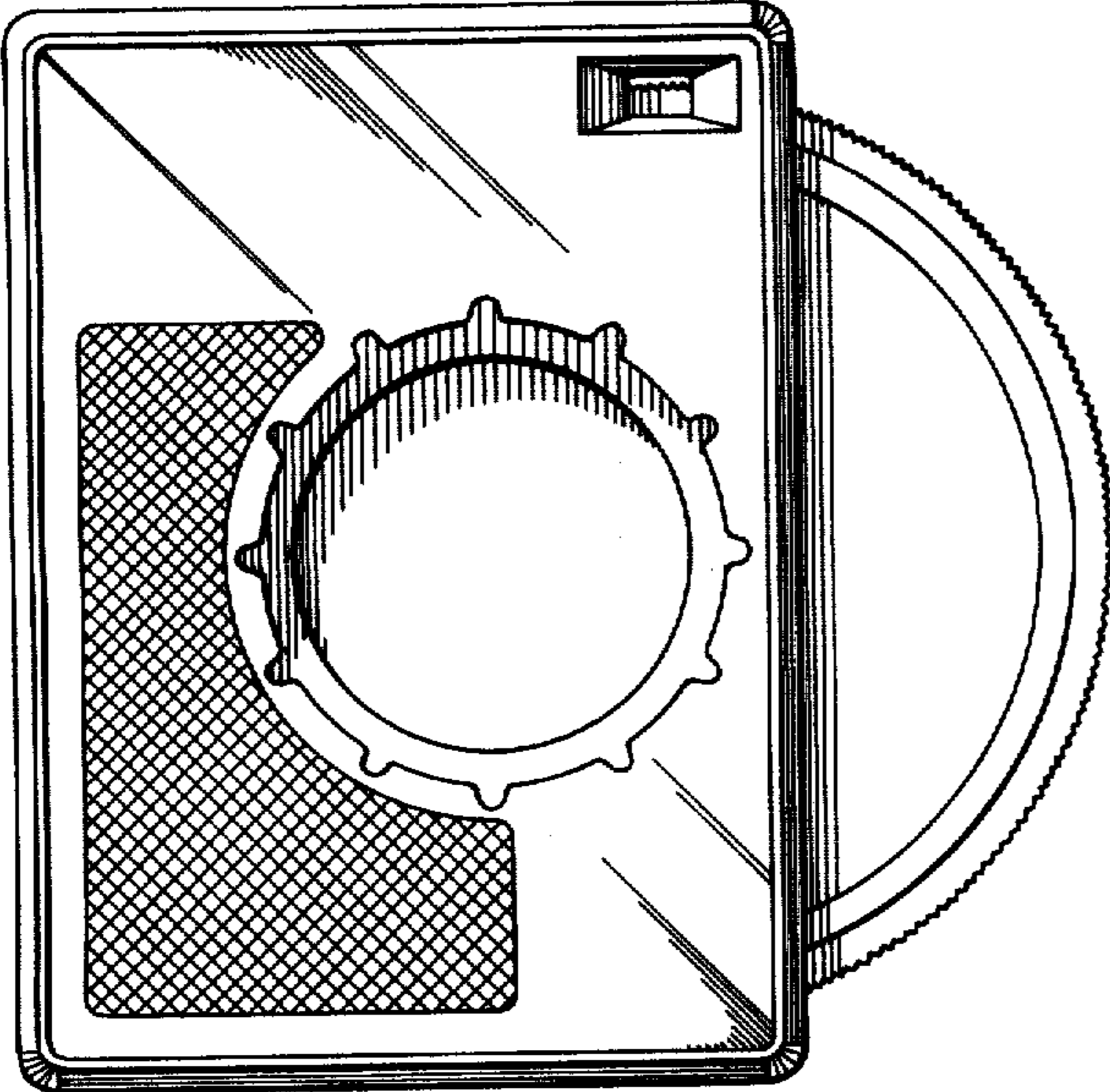


FIG. 1

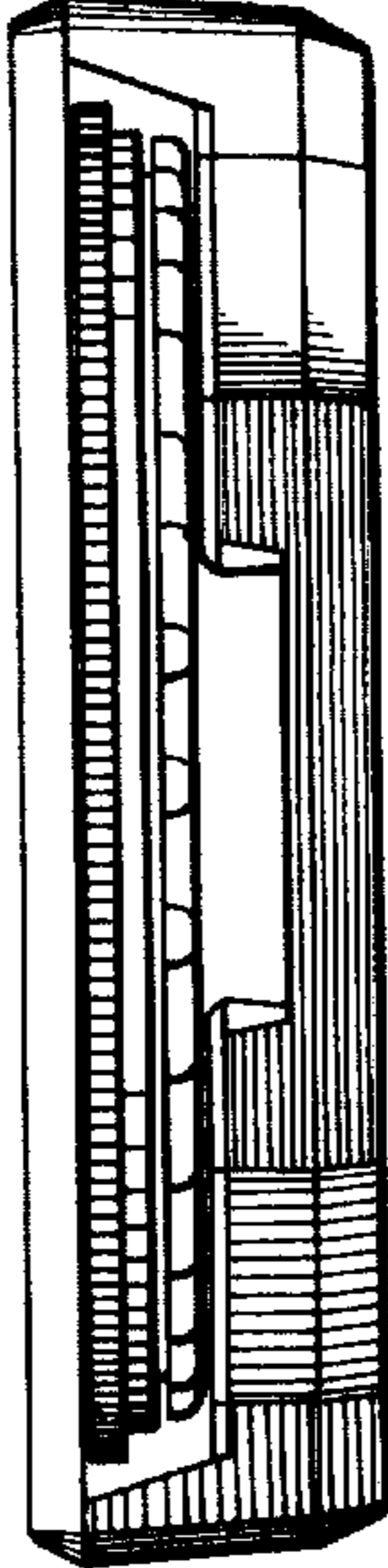


FIG. 2

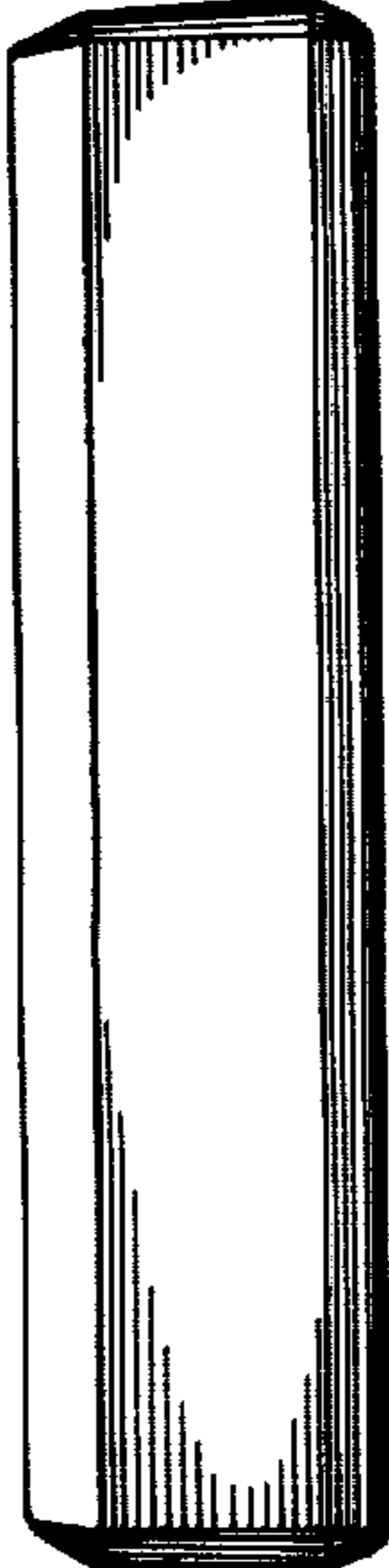


FIG. 3

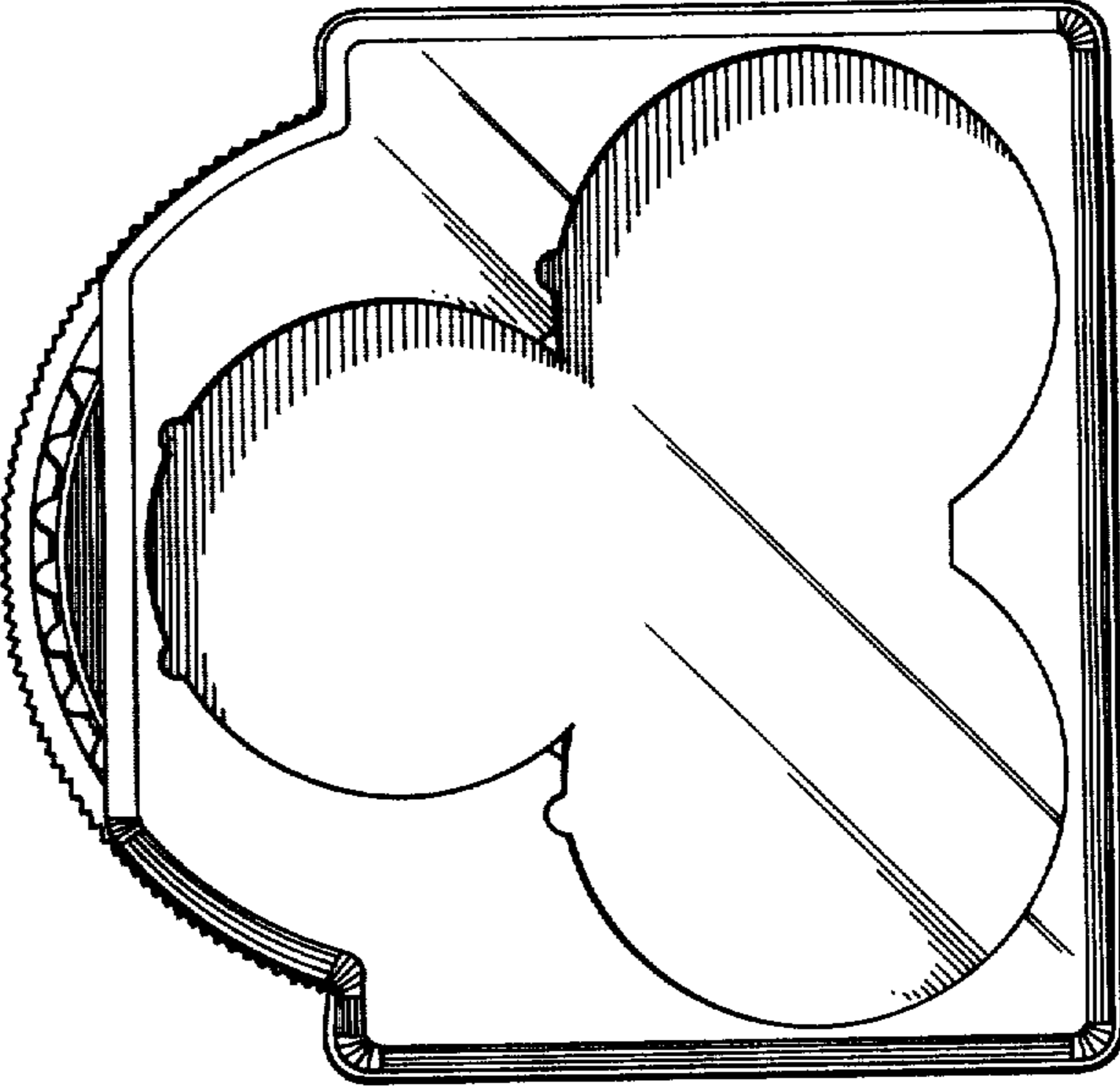


FIG. 4

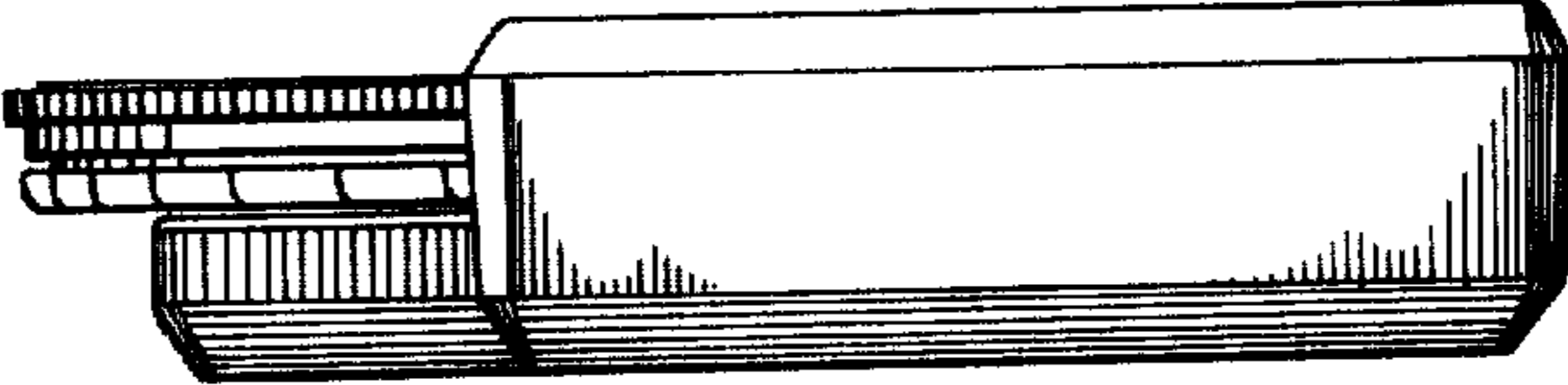


FIG. 5