

[54] PAPER FEED CONTROL ADAPTER FOR A PRINTING PRESS

Primary Examiner—Louis S. Zarfes
Attorney, Agent, or Firm—Howard L. Johnson

[76] Inventor: Ernest J. Prisbe, 12015-A Slauson Ave., Santa Fe Springs, Calif. 90670

[57] CLAIM

[**] Term: 14 Years

The ornamental design for a paper feed control adapter for a printing press, as shown and described.

[21] Appl. No.: 194,578

DESCRIPTION

[22] Filed: Oct. 6, 1980

FIG. 1 is a perspective view of a paper feed control adapter for a printing press showing my new design, the broken line showing of a paper feed control lever being for illustrative purposes only.

[51] Int. Cl. D18-99

[52] U.S. Cl. D18/22

[58] Field of Search D18/12, 22, 99; D8/354, D8/366; 101/142, 144

FIG. 2 is an end view thereof as seen from the left of FIG. 1.

FIG. 3 is an end view thereof as seen from the right of FIG. 1.

[56] References Cited

U.S. PATENT DOCUMENTS

D. 251,018 2/1979 Lockwood D8/354 X
4,074,486 2/1978 Grearson D8/366 X

FIG. 4 is a top plan view thereof.

FIG. 5 is a bottom plan view thereof.

FIG. 6 is a front elevational view thereof.

FIG. 7 is a rear elevational view thereof.

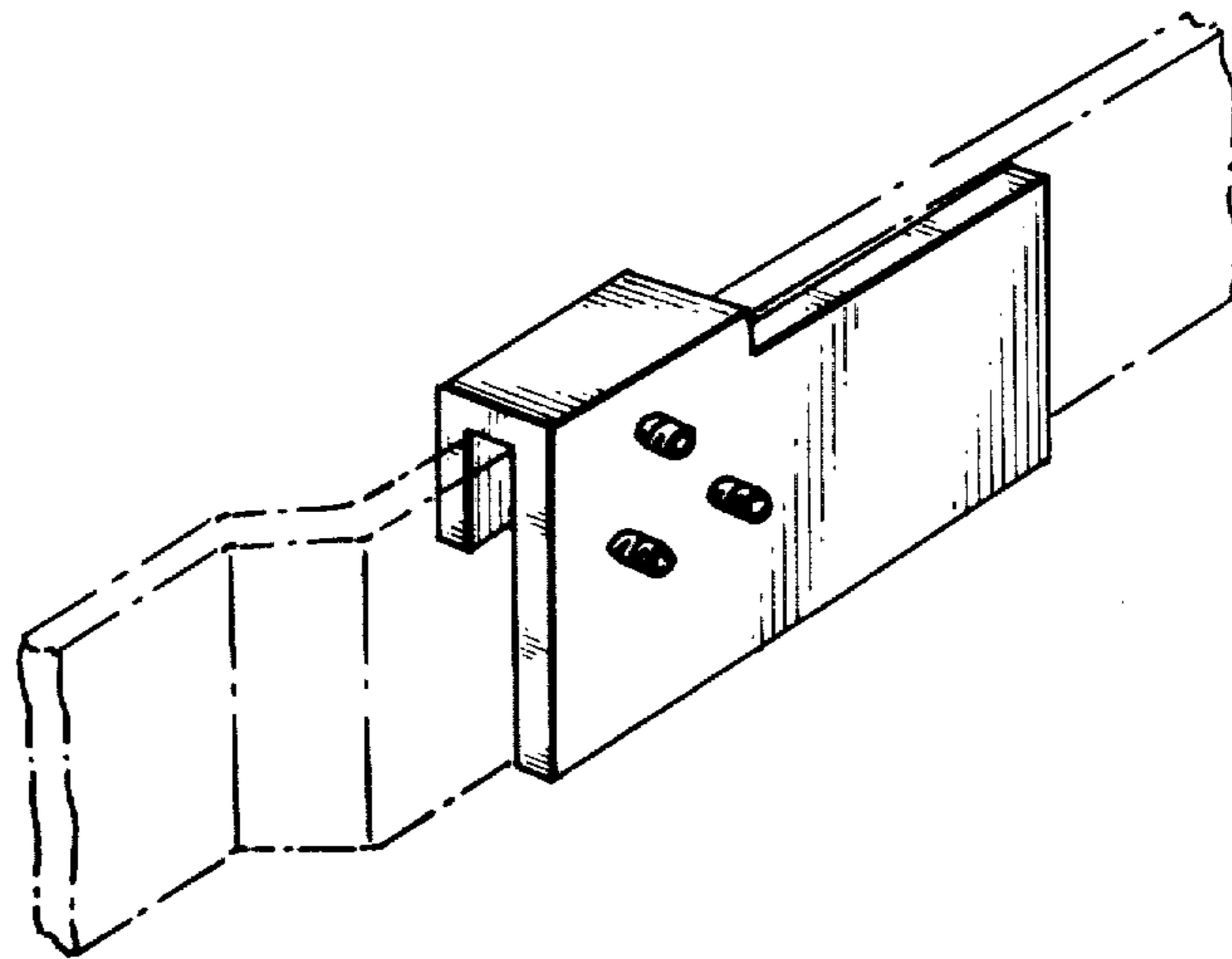


FIG. 1.

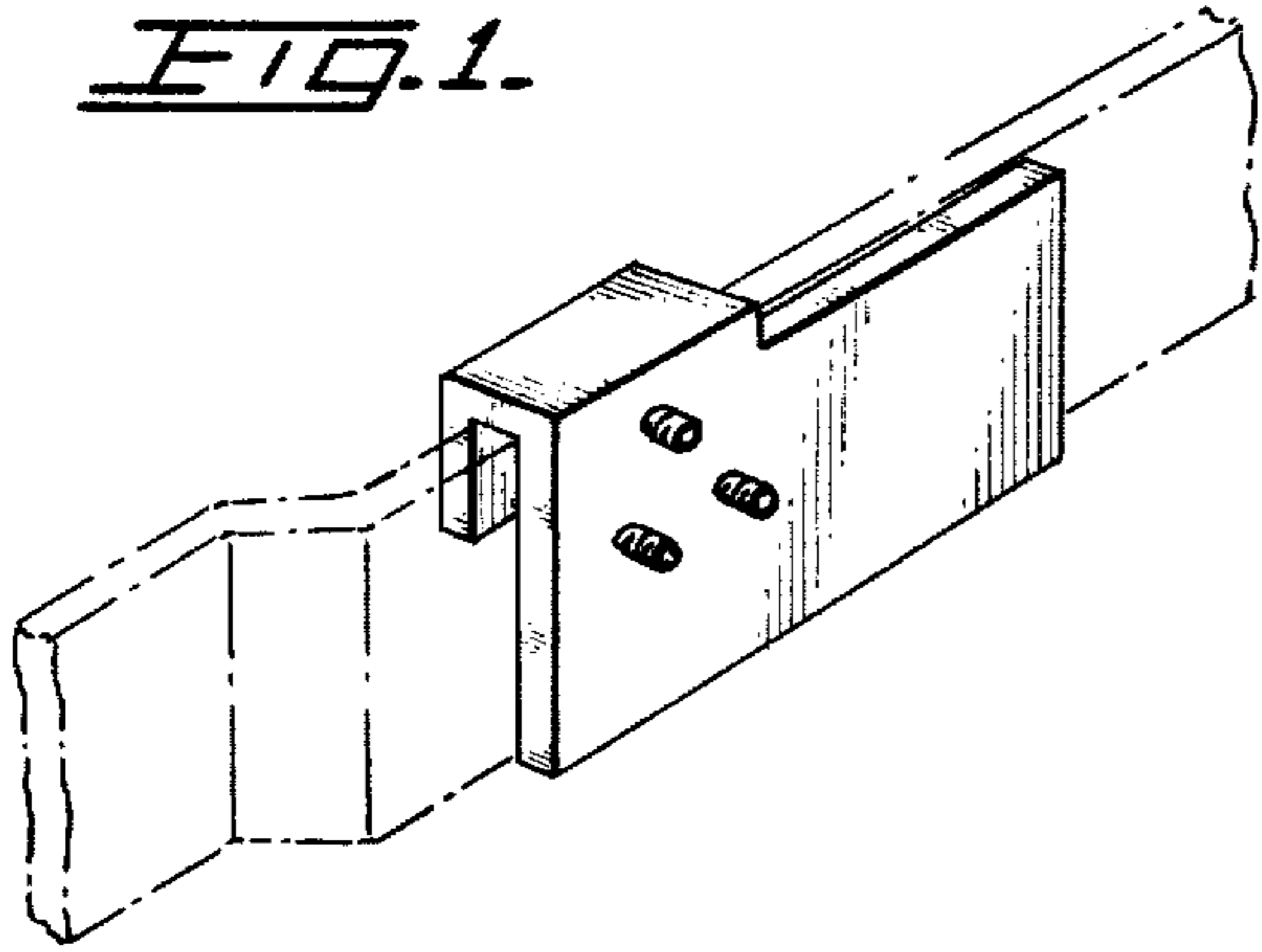


FIG. 2.

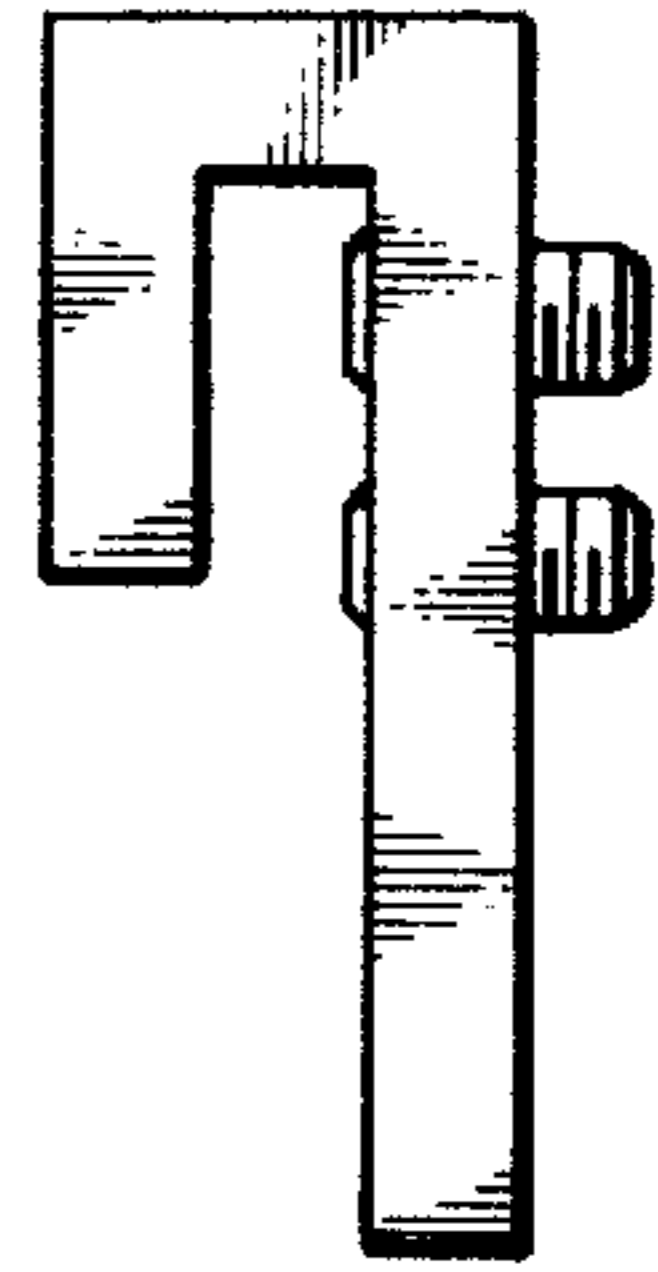


FIG. 3.

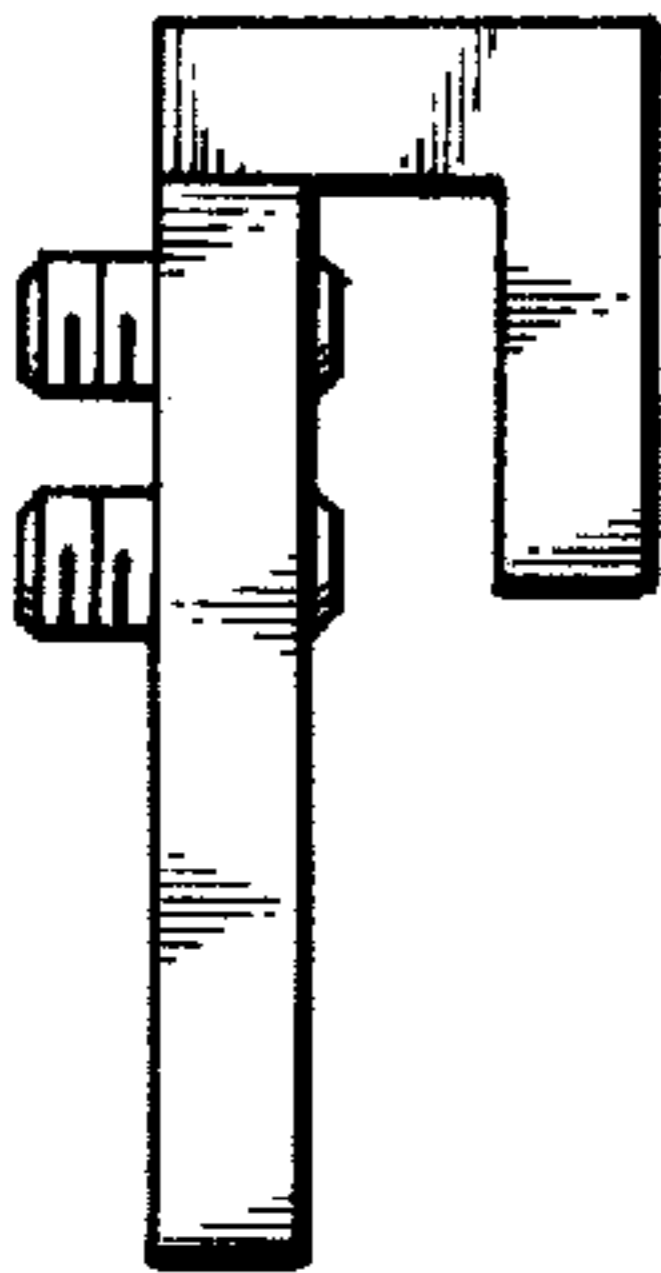


FIG. 4.



FIG. 5.

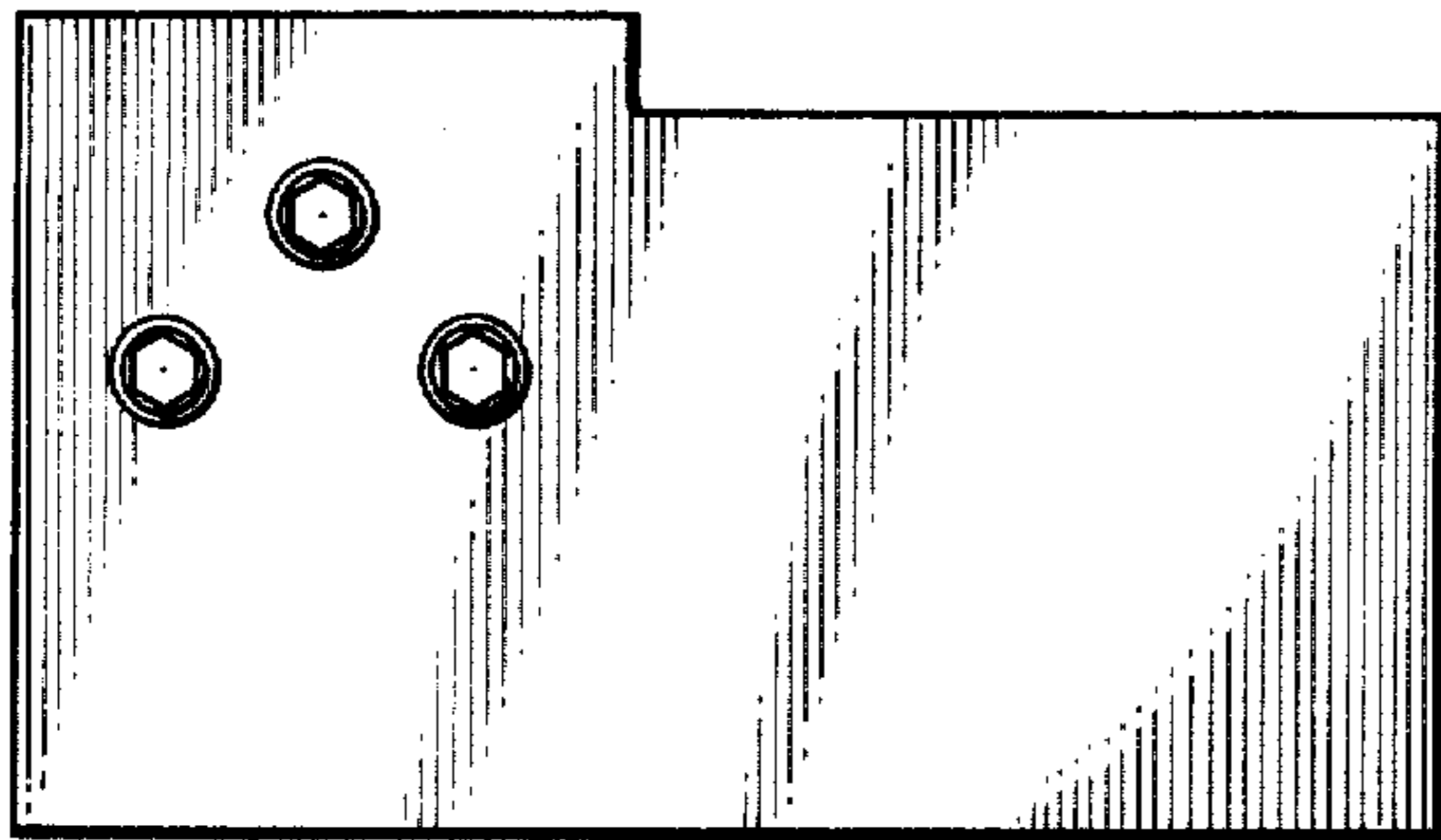


FIG. 6.

FIG. 7.

